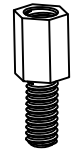
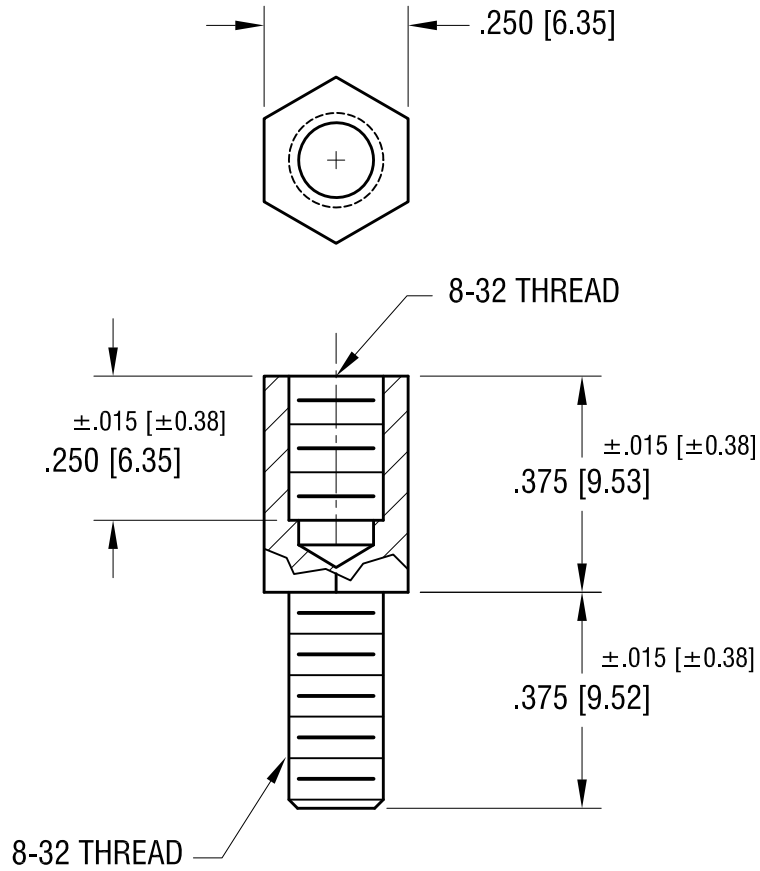


THIS DOCUMENT IS THE PROPERTY OF  
KEYSTONE ELECTRONICS CORP. AND  
SHALL NOT BE REPRODUCED, DISTRIBUTED  
OR USED AS A BASIS FOR MANUFACTURE  
WITHOUT PRIOR WRITTEN PERMISSION  
FROM KEYSTONE ELECTRONICS CORP.

**ACTUAL SIZE**



**NOTE:**

1. MAT'L- HIGH TEMPERATURE ,  
HIGH PERFORMANCE NYLON BLEND (COLOR- BLACK)
2. TEMPERATURE RANGE: -20°F [-28°C] to +400°F [+200°C]

6.15.20 GENERAL TOLERANCE WAS ±.005  
CHANGE AS PER ECN 20-055

A  
REV.

<b>KEYSTONE ELECTRONICS CORP.</b>			
www.keyelco.com • NEW HYDE PARK, NY 11040 • Tel (516) 328-7500			
PART NAME			
HIGH TEMPERATURE NYLON STANDOFF			
MATERIAL			
AS NOTED			
FINISH		DRN BY	DATE
NONE		NT	11.30.17
		APP'D	SCALE
		RH	3X
TOLERANCES	INCH	[MM]	CODE
DECIMAL	± .010	[± 0.25 ]	DWG NO.
ANGULAR	± 1°		<b>4981</b>
UNLESS OTHERWISE SPECIFIED			