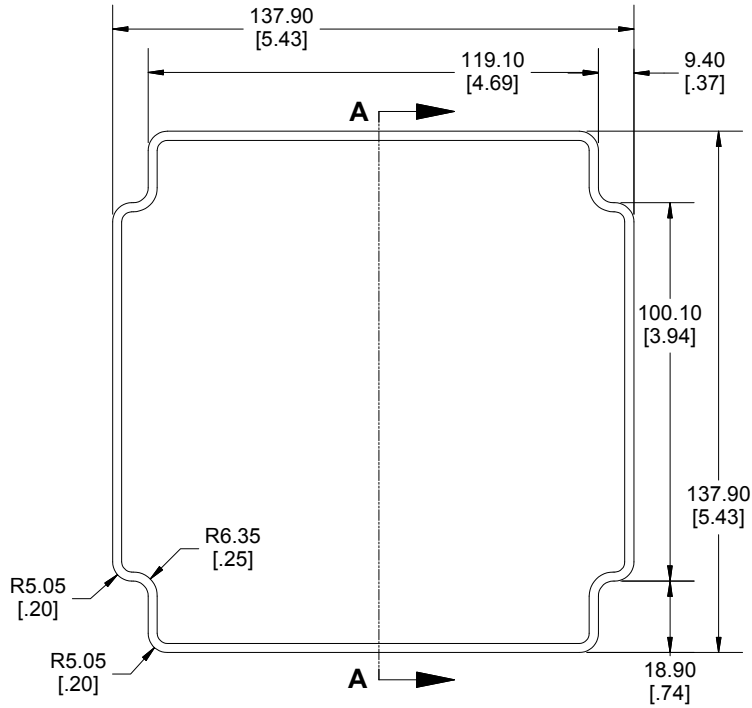
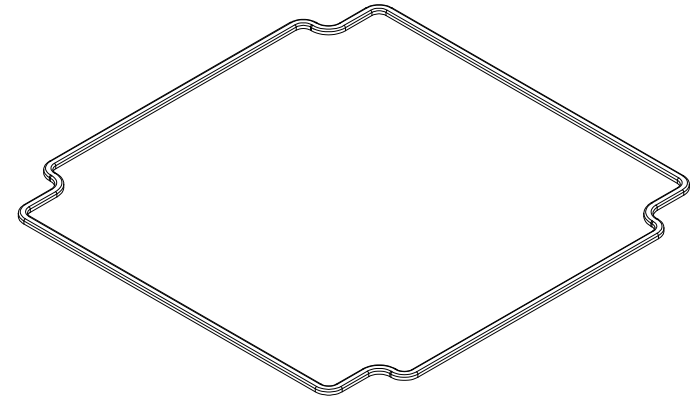


DETAIL D



SECTION A-A



Enclosures can be Factory Modified (Milling, Drilling, Printing etc.)
 Contact Factory mjm@hammondmfg.com for quotes
 Solid models of this enclosure available in STEP or IGES.



**HAMMOND
 MANUFACTURING®**
1554Q GASKET
www.hammondmfg.com

Dimensions:
 mm
 [inches]