

PSI-MODEM-SHDSL/ETH - Ethernet extenders



2313643

<https://www.phoenixcontact.com/us/products/2313643>

Please be informed that the data shown in this PDF document is generated from our online catalog. Please find the complete data in the user documentation. Our general terms of use for downloads are valid.



First generation: Unmanaged Ethernet extender for point-to-point connections, line and ring structures, data rates up to 30 Mbps, distances of up to 20 km on in-house copper cables, diagnostics via USB and LEDs, 2 SHDSL ports, 1 LAN port

Your advantages

- Distances up to 20 km
- Up to 15.3 Mbps in 2-wire operation
- Up to 30 Mbps in 4-wire operation
- Robust modulation method (SHDSL)
- PROFINET
- Automatic SHDSL data rate detection
- Network transparent (no IP configuration required)
- Protocol transparent
- Automatic detection of network cable type (auto MDI(X))
- Automatic network data rate detection (10/100 Mbps)
- Easy startup, plug and play
- Future proof (IPv4 and IPv6-compatible)
- 2 digital outputs for alerting external controllers

Commercial data

| | |
|--------------------------------------|--------------------------------|
| Item number | 2313643 |
| Packing unit | 1 pc |
| Note | Made to order (non-returnable) |
| Sales key | DN24 |
| Product key | DNC442 |
| Catalog page | Page 403 (C-8-2015) |
| GTIN | 4046356509206 |
| Weight per piece (including packing) | 259.7 g |
| Weight per piece (excluding packing) | 258.7 g |
| Customs tariff number | 85176200 |
| Country of origin | DE |

Technical data

Notes

Utilization restriction

| | |
|------------|---|
| CCCex note | Use in potentially explosive areas is not permitted in China. |
|------------|---|

Product properties

| | |
|--------------|--|
| Product type | Ethernet extenders |
| MTTF | 711 Years (SN 29500 standard, temperature 25°C, operating cycle 21%) |
| | 308 Years (SN 29500 standard, temperature 40°C, operating cycle 34.25%) |
| | 125 Years (SN 29500 standard, temperature 40°C, operating cycle 100%) |
| MTBF | 1017 Years (Telcordia standard, 25°C temperature, 21% operating cycle (5 days a week, 8 hours a day)) |
| | 205 Years (Telcordia standard, 40°C temperature, 34.25% operating cycle (5 days a week, 12 hours a day)) |

Electrical properties

| | |
|---|---|
| Electrical isolation | VCC // Ethernet // DSL (A) // DSL (B) // FE |
| Maximum power dissipation for nominal condition | 4.32 W |
| Mains type | Permanent line |
| Test voltage data interface/power supply | 1.5 kV _{rms} (50 Hz, 1 min.) |

Supply

| | |
|-----------------------------|--|
| Supply voltage range | 18 V DC ... 30 V DC |
| Nominal supply voltage | 24 V DC ±5 % (as an alternative or redundant, via backplane bus contact and system current supply) |
| | 5 V DC (configuration only, via mini-USB type B) |
| Typical current consumption | < 180 mA (24 V DC) |
| Max. current consumption | ≤ 2 A (For operation in a joining station, via the DIN rail connector) |

Function

| | |
|----------------------------------|--|
| Management | Plug and play, user-friendly software: Diagnostic functions, log book, individual configuration |
| Status and diagnostic indicators | LEDs: VCC (supply voltage), ACT/LINK (Ethernet data traffic), ERR (errors) 2 x LINK / 2 x STAT (DSL data traffic port A and port B), DIAG (diagnostic messages) |

Output data

Signal

| | |
|-----------------------|--|
| Output name | Digital output |
| Number of outputs | 2 |
| Voltage output signal | 18 V DC ... 30 V DC (depending on the operating voltage) |

PSI-MODEM-SHDSL/ETH - Ethernet extenders



2313643

<https://www.phoenixcontact.com/us/products/2313643>

| | |
|-----------------------|--------------------------------|
| Current output signal | ≤ 150 mA (Short-circuit-proof) |
|-----------------------|--------------------------------|

Connection data

Supply

| | |
|-------------------|---------------------------------------|
| Connection method | COMBICON plug-in screw terminal block |
| Tightening torque | 0.56 Nm ... 0.79 Nm |

Interfaces

| | |
|--------|----------|
| Signal | Ethernet |
|--------|----------|

Data: Ethernet interface, 10/100Base-T(X) in accordance with IEEE 802.3

| | |
|---------------------------|--|
| Serial transmission speed | 10/100 Mbps, auto negotiation |
| Connection method | RJ45 jack, shielded |
| No. of channels | 1 |
| Transmission length | < 100 m (shielded twisted pair) |
| Protocols supported | Transparent protocol for IPv4 and IPv6 |

Data: SHDSL interface according to ITU-T G.991.2.bis

| | |
|--|--|
| Serial transmission speed | 4-wire operation: 64 kbps ... 30 Mbps |
| | 2-wire operation: 32 kbps ... 15.3 Mbps |
| Connection method | 2 x 2-pos. COMBICON plug-in screw terminal blocks |
| Tightening torque | 0.56 Nm ... 0.79 Nm |
| Transmission length | < 20 km (Depending on data rate and cable cross section) |
| Conductor cross section flexible max. | 2.5 mm ² |
| Conductor cross section flexible min. | 0.2 mm ² |
| Conductor cross section, rigid max. | 2.5 mm ² |
| Conductor cross section, rigid min. | 0.2 mm ² |
| Max. AWG conductor cross section, flexible | 14 |
| Min. AWG conductor cross section, flexible | 24 |
| Single-wire/terminal point, rigid AWG max. | 14 |
| Single-wire/terminal point, rigid AWG min. | 24 |

Data: USB 2.0

| | |
|---------------------|--|
| Connection method | Mini-USB type B, 5-pos. |
| Transmission length | < 5 m (only for configuration and diagnostics) |

Dimensions

| | |
|--------|----------|
| Width | 35 mm |
| Height | 99 mm |
| Depth | 114.5 mm |

Material specifications

| | |
|------------------|------------------|
| Color (Housing) | green (RAL 6021) |
| Material Housing | PA 6.6-FR |

Environmental and real-life conditions

Ambient conditions

| | |
|--|---|
| Degree of protection | IP20 |
| Ambient temperature (operation) | -20 °C ... 60 °C (Freestanding (40 mm spacing to the right and left), no supply of other modules via the device) -20 °C ... 55 °C (Mounted in rows with zero spacing and low power dissipation of aligned modules) -20 °C ... 50 °C (Mounted in rows with zero spacing) -20 °C ... 45 °C (aligned without spacing and supply of other modules via the device, 1.5 A) |
| Ambient temperature (storage/transport) | -40 °C ... 85 °C |
| Altitude | ≤ 5000 m (For restrictions, see the manufacturer's declaration for altitude operation) |
| Permissible humidity (operation) | 10 % ... 95 % (non-condensing) |
| Permissible humidity (storage/transport) | 10 % ... 95 % (non-condensing) |

Approvals

CE

| | |
|-------------|--------------|
| Certificate | CE-compliant |
|-------------|--------------|

EAC

| | |
|----------------|-----|
| Identification | EAC |
|----------------|-----|

ATEX

| | |
|----------------|---|
| Identification | ⊕ II 3 G Ex nA IIC T4 Gc X |
| Note | Please follow the special installation instructions in the documentation! |

UL, USA/Canada

| | |
|----------------|------------|
| Identification | 508 Listed |
|----------------|------------|

Corrosive gas test

| | |
|----------------|----------------------------------|
| Identification | ISA-S71.04-1985 G3 Harsh Group A |
|----------------|----------------------------------|

EMC data

| | |
|-------------------------------|---|
| Electromagnetic compatibility | Conformance with EMC Directive 2014/30/EU |
|-------------------------------|---|

Standards and regulations

| | |
|-----------------------|------------|
| Standards/regulations | EN 50121-4 |
|-----------------------|------------|

Mounting

| | |
|---------------|-----------------|
| Mounting type | DIN rail: 35 mm |
|---------------|-----------------|

PSI-MODEM-SHDSL/ETH - Ethernet extenders

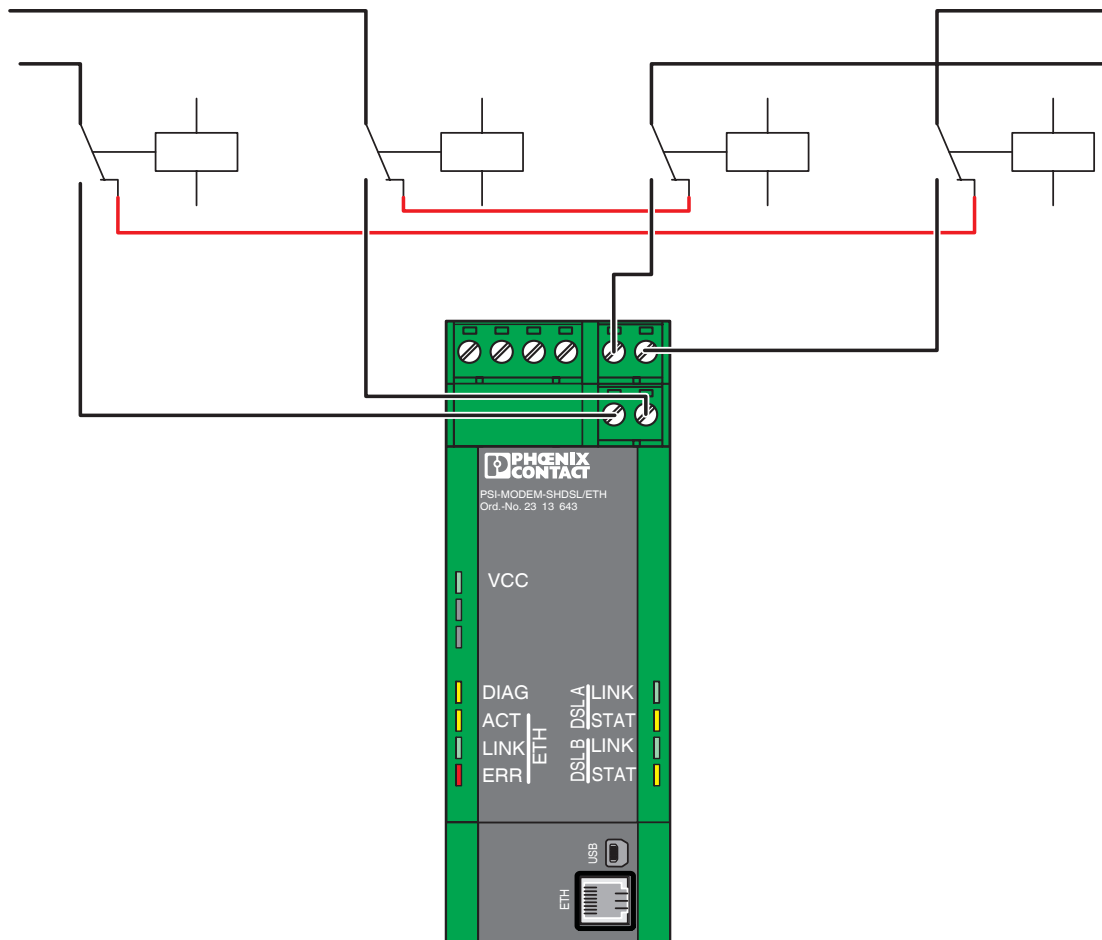


2313643

<https://www.phoenixcontact.com/us/products/2313643>

Drawings

Functional drawing

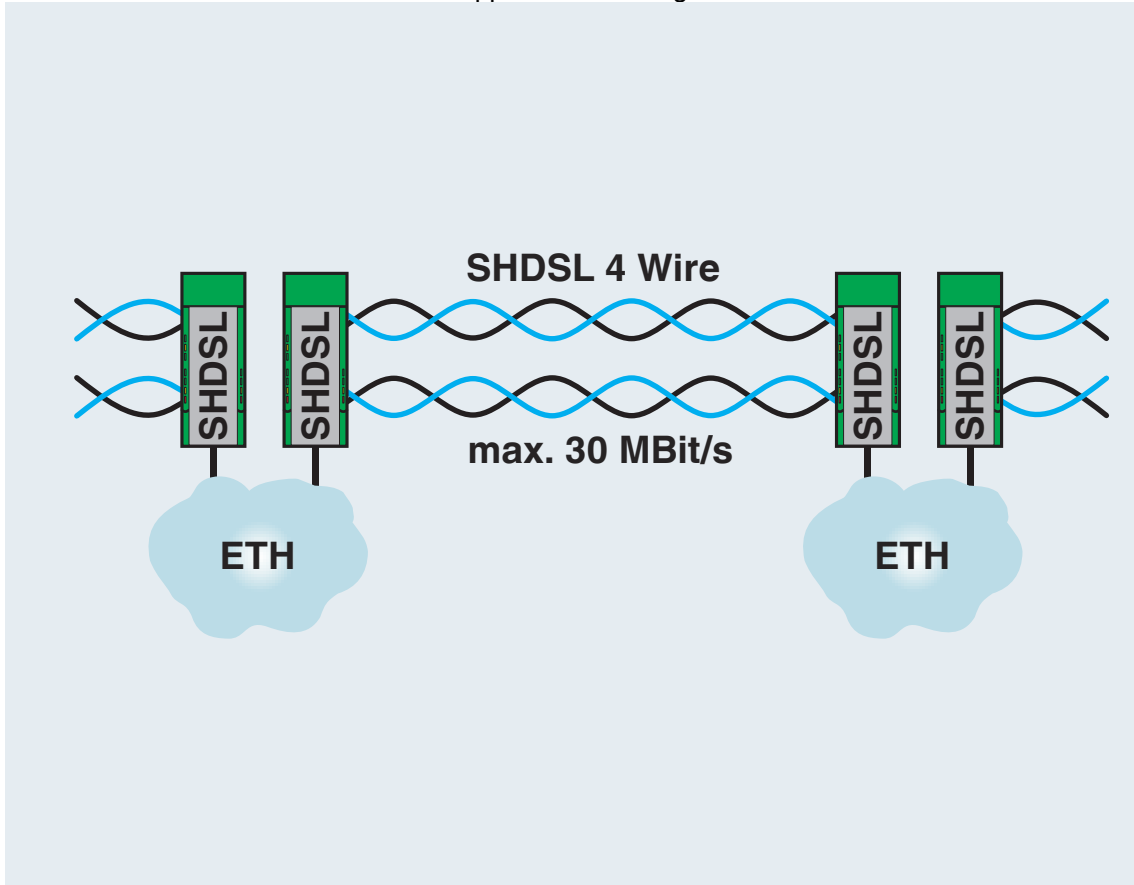


Jumpering with relay

2313643

<https://www.phoenixcontact.com/us/products/2313643>

Application drawing



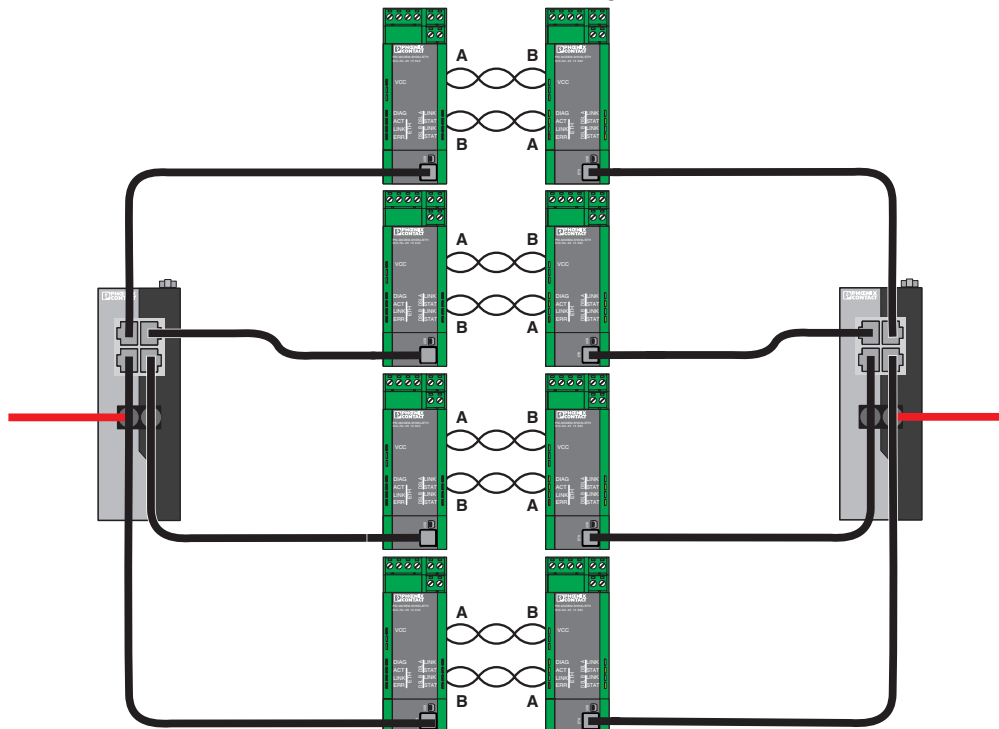
Linear structure (4-wire)

PSI-MODEM-SHDSL/ETH - Ethernet extenders

2313643

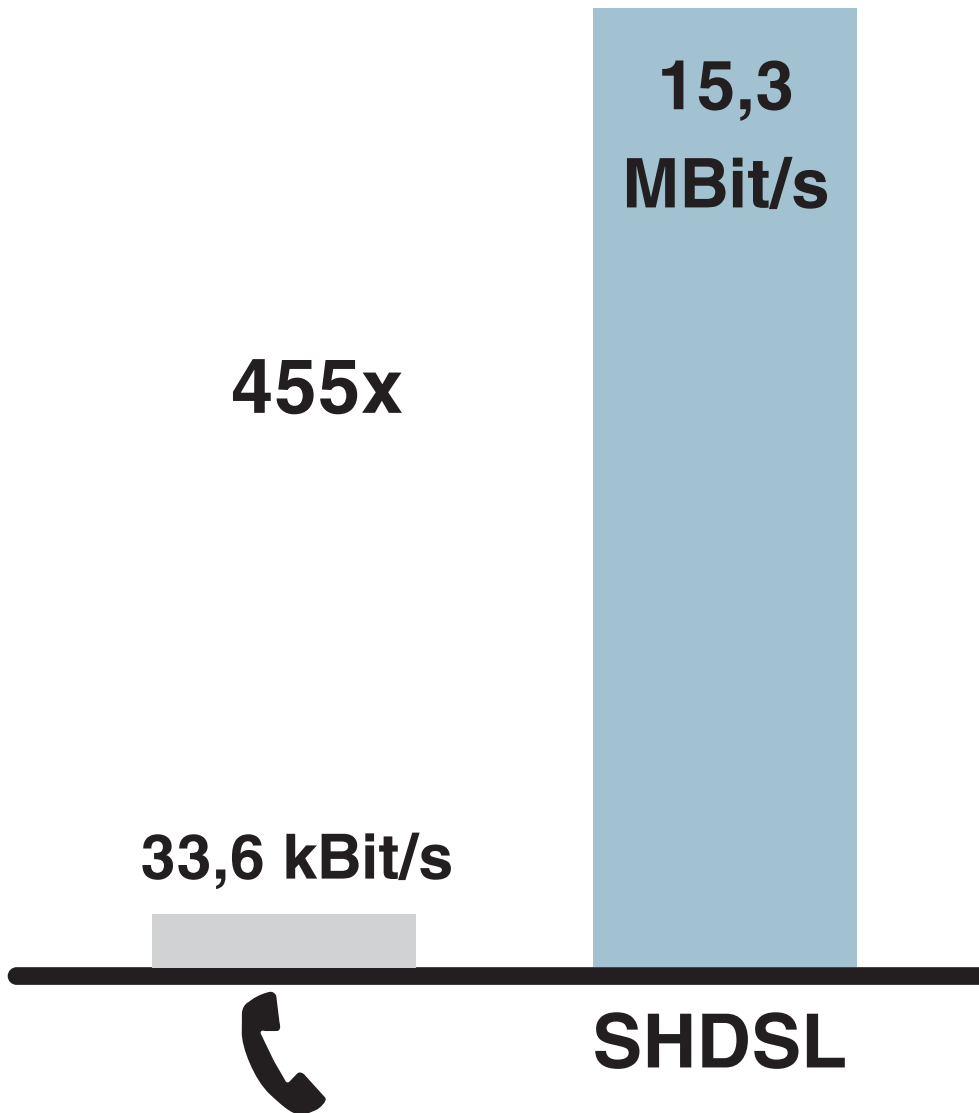
<https://www.phoenixcontact.com/us/products/2313643>

Functional drawing



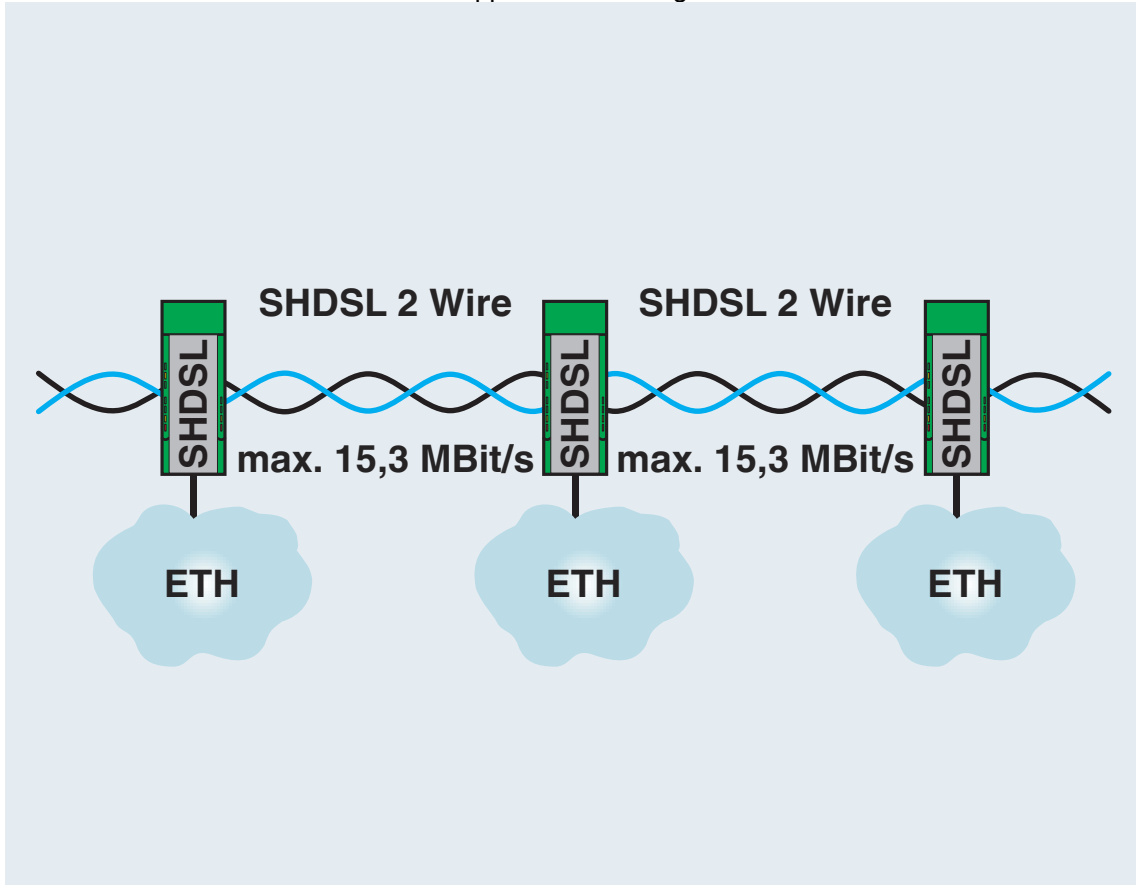
Link aggregation

Diagram



Speed comparison between the analog and SHDSL connection

Application drawing



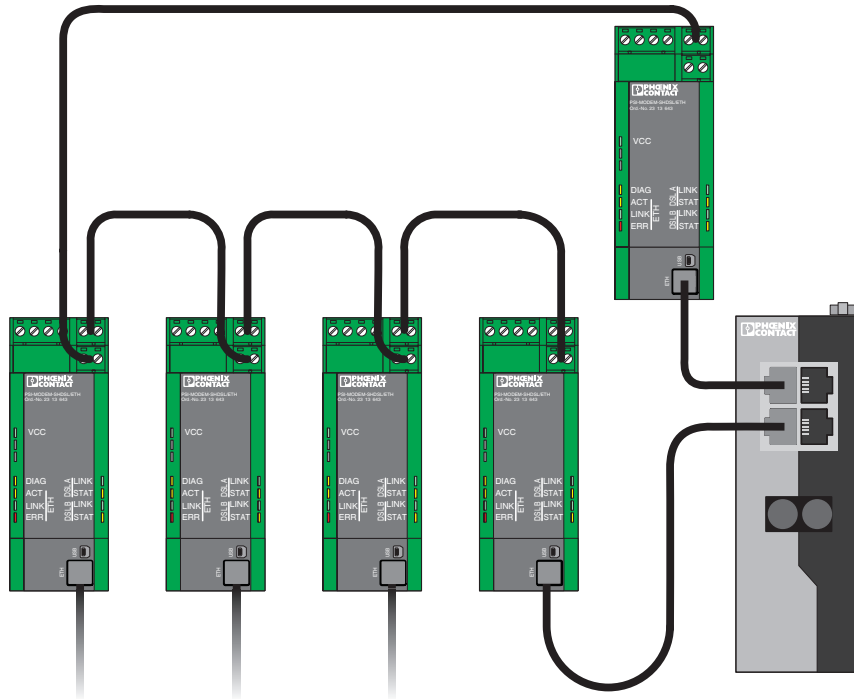
Linear structure (2-wire)

PSI-MODEM-SHDSL/ETH - Ethernet extenders

2313643

<https://www.phoenixcontact.com/us/products/2313643>

Functional drawing

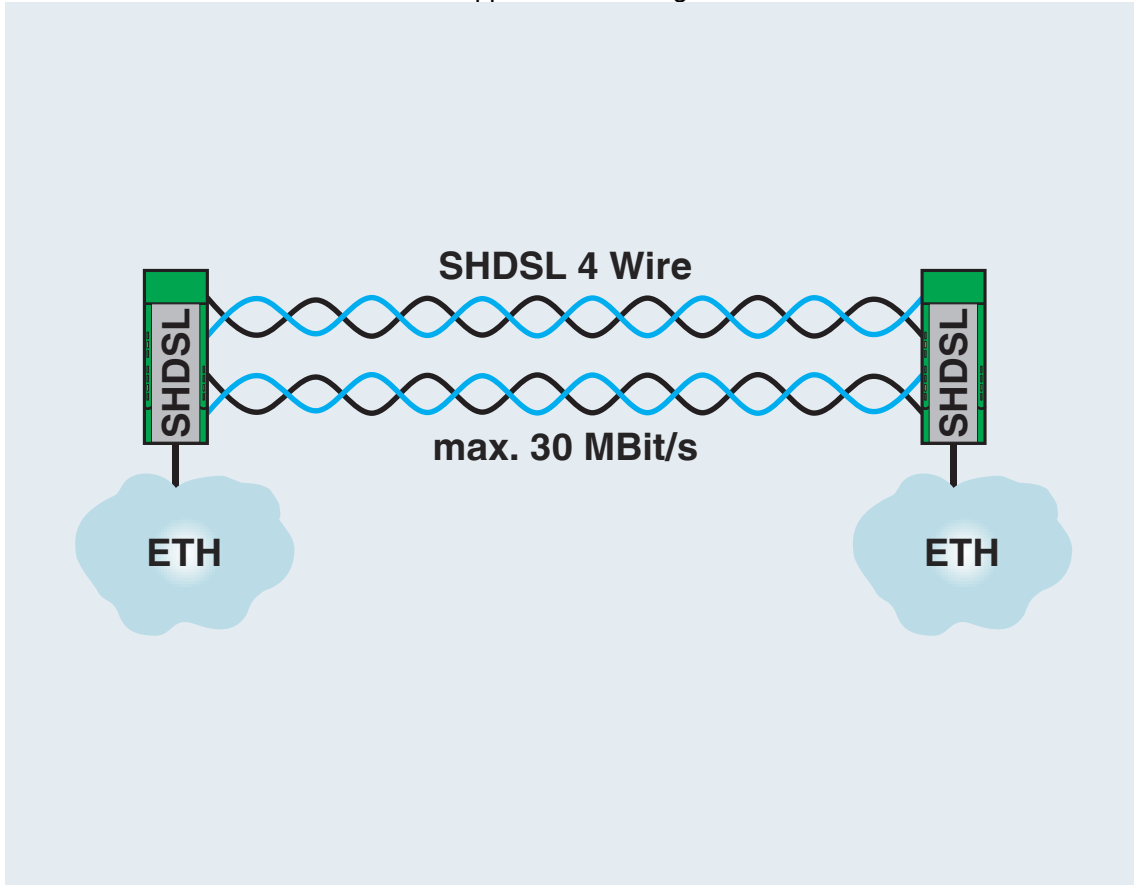


Redundancy, ring closure via an external switch

2313643

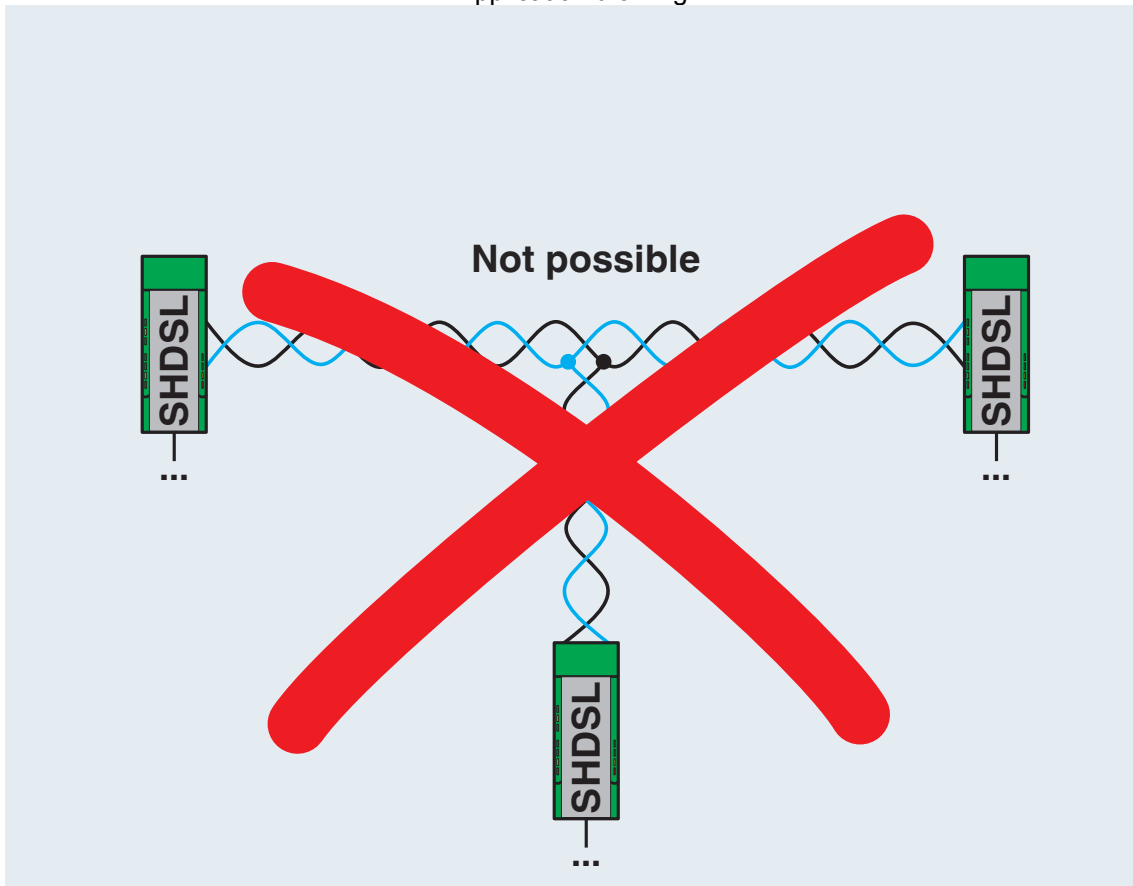
<https://www.phoenixcontact.com/us/products/2313643>

Application drawing



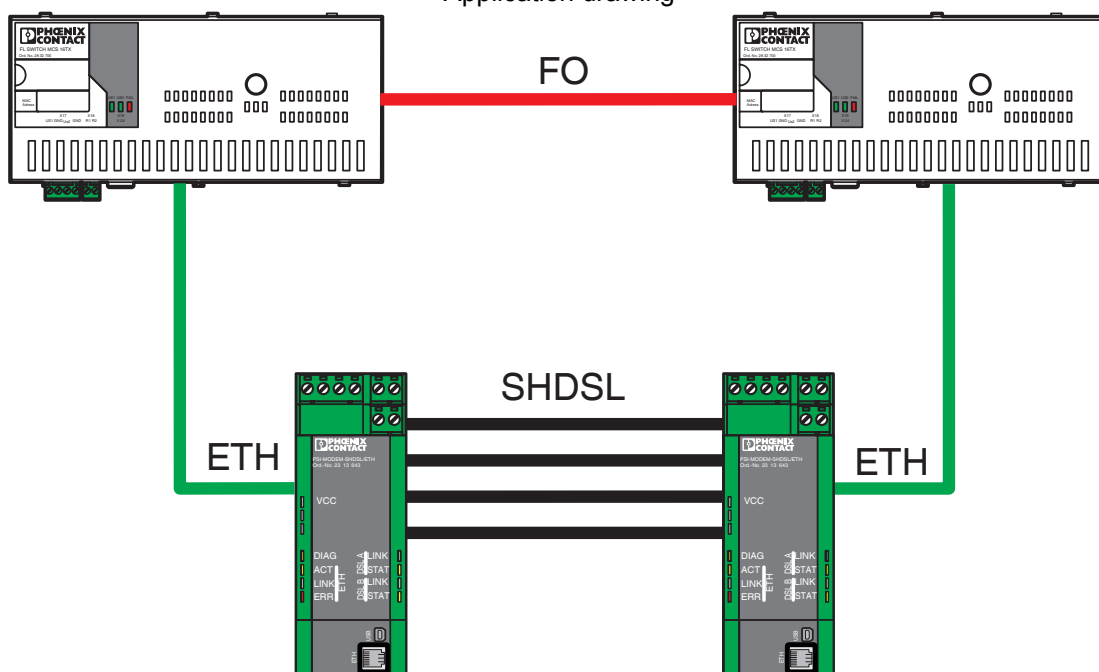
Point-to-point connection (4-wire)

Application drawing



Multipoint communication via SHDSL not supported

Application drawing

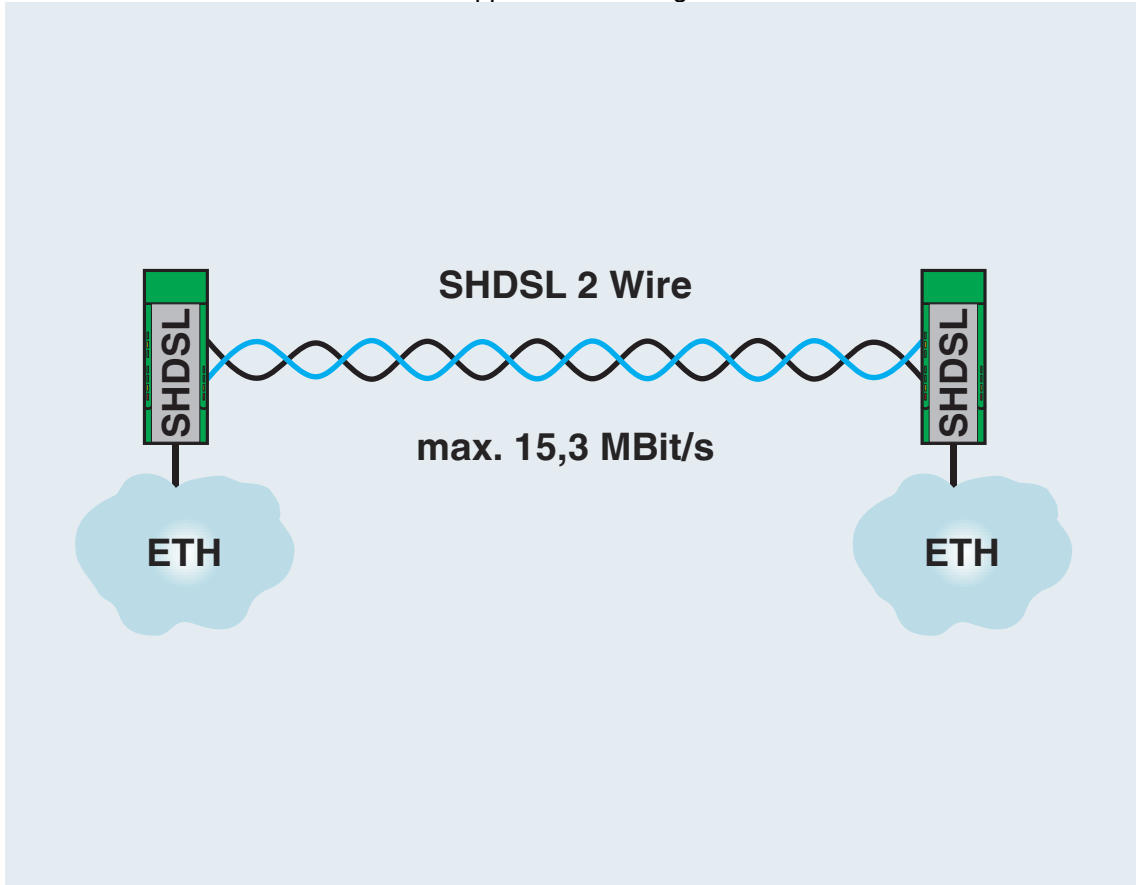


Example application: redundant system via SHDSL and manageable switch

2313643

<https://www.phoenixcontact.com/us/products/2313643>

Application drawing

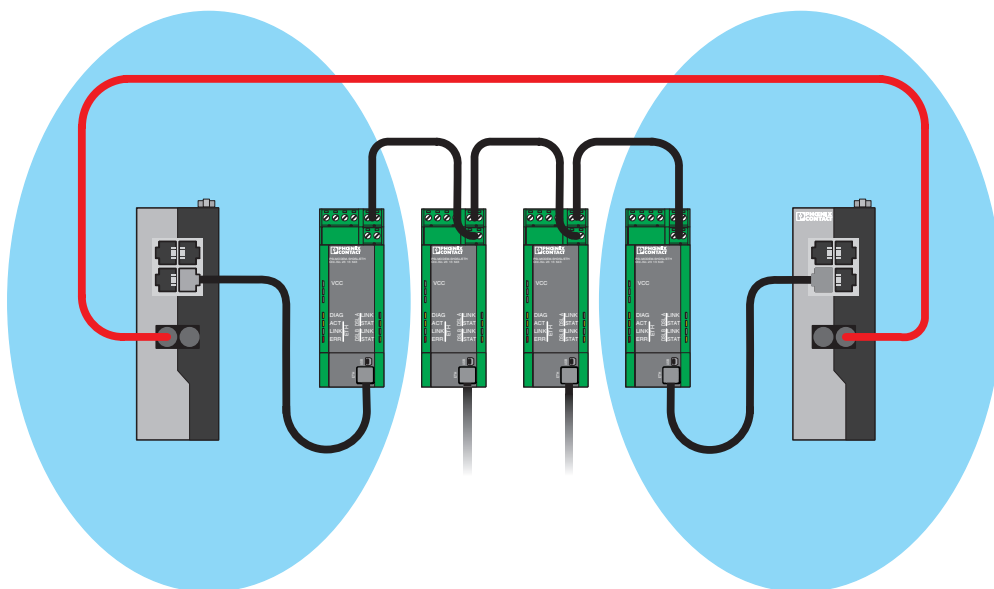


Point-to-point connection (2-wire)

2313643

<https://www.phoenixcontact.com/us/products/2313643>

Functional drawing



Redundancy via parallel fiber optic path

PSI-MODEM-SHDSL/ETH - Ethernet extenders



2313643

<https://www.phoenixcontact.com/us/products/2313643>

Classifications

ECLASS

| | |
|-------------|----------|
| ECLASS-11.0 | 19170407 |
| ECLASS-12.0 | 19170407 |

ETIM

| | |
|----------|----------|
| ETIM 8.0 | EC000309 |
|----------|----------|

UNSPSC

| | |
|-------------|----------|
| UNSPSC 21.0 | 43223100 |
|-------------|----------|

PSI-MODEM-SHDSL/ETH - Ethernet extenders



2313643

<https://www.phoenixcontact.com/us/products/2313643>

Environmental product compliance

| | |
|------------|--|
| REACH SVHC | Lead 7439-92-1 |
| China RoHS | Environmentally Friendly Use Period = 50 years |
| | For information on hazardous substances, refer to the manufacturer's declaration available under "Downloads" |

2313643

<https://www.phoenixcontact.com/us/products/2313643>

Accessories

QUINT4-SYS-PS/1AC/24DC/2.5/SC - Power supply unit

2904614

<https://www.phoenixcontact.com/us/products/2904614>

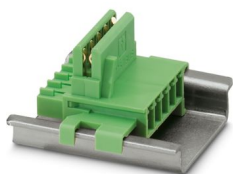


Primary-switched power supply, QUINT POWER, screw connection, DIN rail mounting, supply of devices possible via the TBUS DIN rail connector, protective coating, input: single-phase, output: 24 V DC/2.5 A

ME 17,5 TBUS 1,5/ 5-ST-3,81 GN - DIN rail bus connectors

2709561

<https://www.phoenixcontact.com/us/products/2709561>



DIN rail connector for DIN rail mounting. Universal for TBUS housing. Gold-plated contacts, 5-pos.

PSI-MODEM-SHDSL/ETH - Ethernet extenders



2313643

<https://www.phoenixcontact.com/us/products/2313643>

DT-TELE-SHDSL - Surge protection device

2801593

<https://www.phoenixcontact.com/us/products/2801593>



Attachment plug with surge protection for two SHDSL telecommunications interfaces (ports). Connection: RJ45 (RJ12/RJ11) and plug-in screw terminal block (COMBICON). Alternatively, can be snapped onto a DIN rail.

CABLE-USB/MINI-USB-3,0M - USB cable

2986135

<https://www.phoenixcontact.com/us/products/2986135>

USB connecting cable: USB plug type A to USB plug type Mini-B; length: 3 m



PSI-MODEM-SHDSL/ETH - Ethernet extenders



2313643

<https://www.phoenixcontact.com/us/products/2313643>

FL PATCH SAFE CLIP - Port Guard Security Element

2891246

<https://www.phoenixcontact.com/us/products/2891246>



Security element for FL patch cable

FL CAT5 PATCH 0,5 - Patch cable

2832263

<https://www.phoenixcontact.com/us/products/2832263>



Patch cable, CAT5, assembled, 0.5 m

PSI-MODEM-SHDSL/ETH - Ethernet extenders



2313643

<https://www.phoenixcontact.com/us/products/2313643>

FL CAT5 PATCH 5,0 - Patch cable

2832580

<https://www.phoenixcontact.com/us/products/2832580>



Patch cable, CAT5, assembled, 5 m

FL CAT5 HEAVY CONF/ - Network cable

2744827

<https://www.phoenixcontact.com/us/products/2744827>



CAT5-SF/UTP cable (J-02YS(ST)C HP 2 x 2 x 24 AWG), heavy-duty installation cable, 2 x 2 x 0.22 mm², solid conductor, shielded, outer sheath: 7.8 mm diameter, inner sheath: 5.75 mm ± 0.15 mm diameter, preassembled on both sides with RJ45 plug, crossover or line

PSI-MODEM-SHDSL/ETH - Ethernet extenders



2313643

<https://www.phoenixcontact.com/us/products/2313643>

SCC 10-NS35 - Shield connection clamp

1019440

<https://www.phoenixcontact.com/us/products/1019440>



Shield connection clamp, number of positions: 1, connection method: Spring-cage connection, mounting type: NS 35/7,5, NS 35/15, color: black

TC EXTENDER 6004 ETH-2S - Ethernet extenders

2702255

<https://www.phoenixcontact.com/us/products/2702255>



Managed Ethernet extender, point-to-point, line and ring structures, data rates up to 30 Mbps, distances of up to 20 km on in-house copper cables, replaceable surge protection, 2 SHDSL ports, 4-port switch, diagnostics via display and Ethernet

PSI-MODEM-SHDSL/ETH - Ethernet extenders



2313643

<https://www.phoenixcontact.com/us/products/2313643>

TC EXTENDER 4001 ETH-1S - Ethernet extenders

2702253

<https://www.phoenixcontact.com/us/products/2702253>



Managed Ethernet extender, point-to-point connections, data rates up to 15.3 Mbps, distances of up to 20 km on in-house copper cables, replaceable surge protection, 1 SHDSL port, 1 LAN port, diagnostics via Ethernet

VS-08-RJ45-5-Q/IP20 - RJ45 connector

1656725

<https://www.phoenixcontact.com/us/products/1656725>



RJ45 connector, design: RJ45, degree of protection: IP20, number of positions: 8, 1 Gbps, CAT5, material: Plastic, connection method: Insulation displacement connection, connection cross section: AWG 26- 23, cable outlet: straight, color: traffic grey A RAL 7042, Ethernet

Phoenix Contact 2024 © - all rights reserved
<https://www.phoenixcontact.com>

Phoenix Contact USA
586 Fulling Mill Road
Middletown, PA 17057, United States
(+717) 944-1300
info@phoenixcon.com