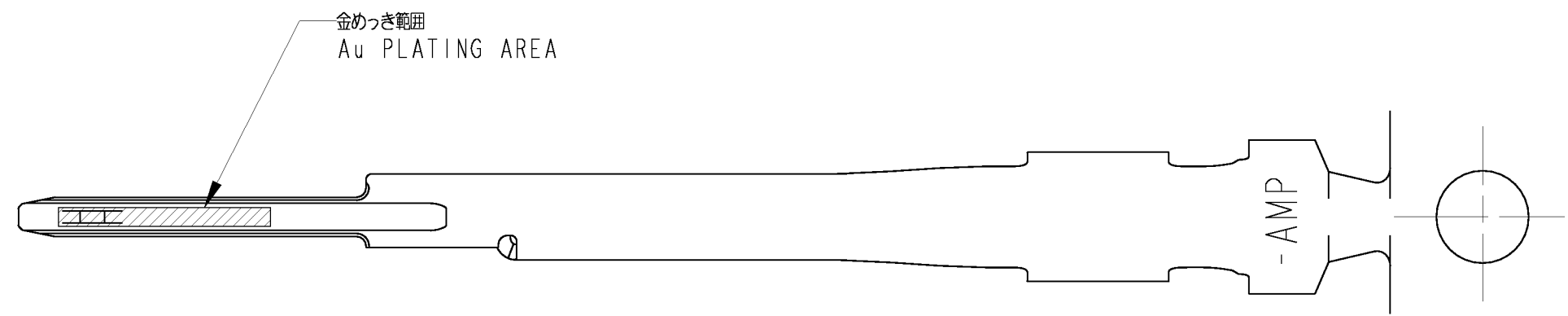
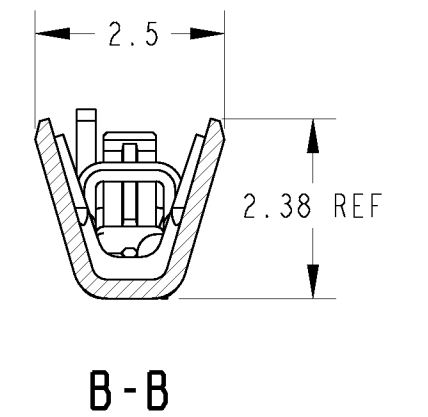
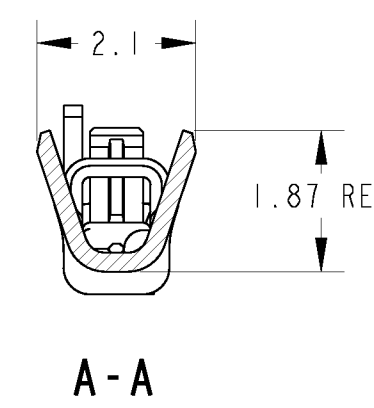
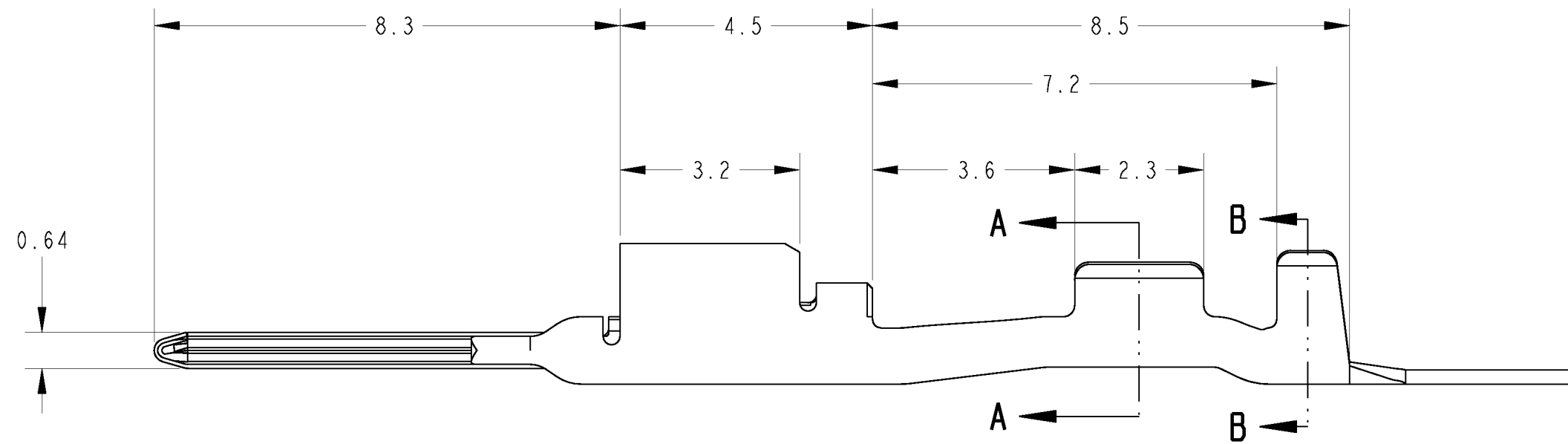
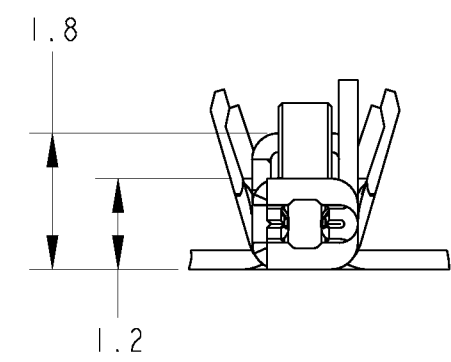
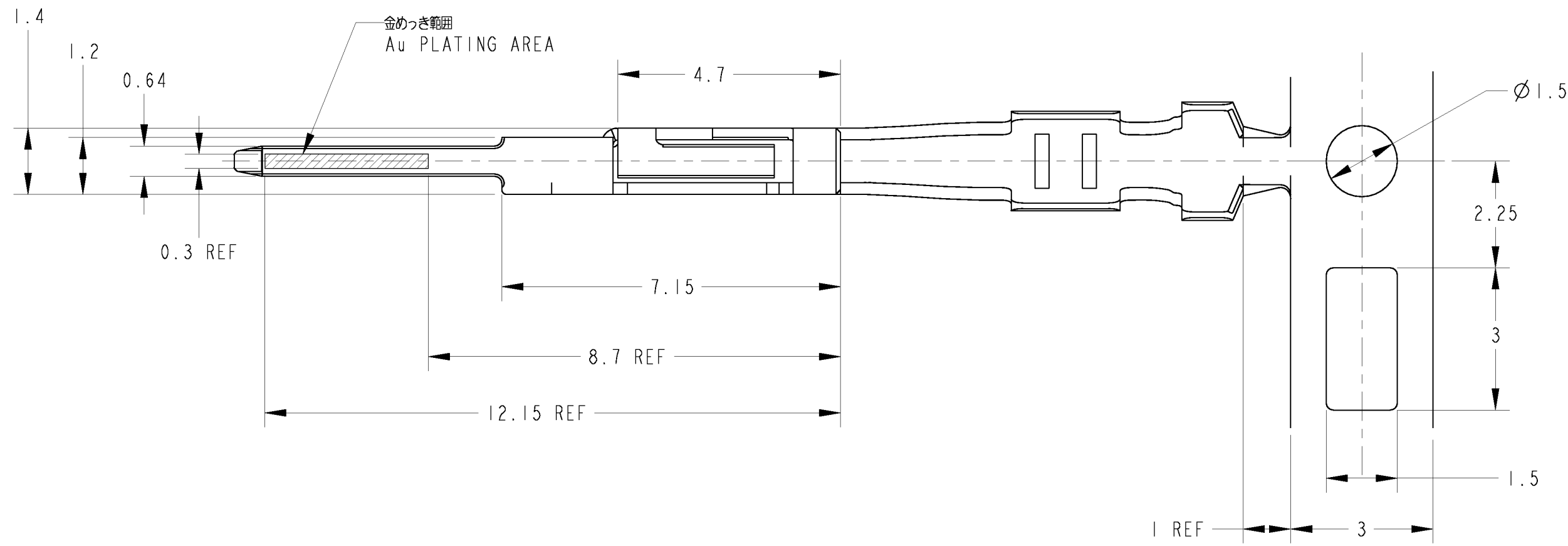


THIS DRAWING IS UNPUBLISHED. RELEASED FOR PUBLICATION 20
 (C) COPYRIGHT 20 ALL RIGHTS RESERVED.

LOC		DIST		REVISIONS				
P	LTR	DESCRIPTION	ECN	DATE	DWN	APVD		
	A3	REVISED PER ECO-11-005140		02APR2011	RK	HMR		



- 適用電線; AVSS, AVSSH-f 0.3~0.5mm²
CAVS, CAVUS 0.22~0.5mm²
CHFUS 0.5mm²
HFSS-f 0.5mm²
 - アプリアクタ送りピッチ; 7.5mm
 - パラ端子型番;
PRE-TIN; 1376607-1
SELECTIVE GOLD; 1376607-2
1. APPLICABLE WIRE RANGE;
AVSS, AVSSH-f 0.3~0.5mm²
CAVS, CAVUS 0.22~0.5mm²
CHFUS 0.5mm²
HFSS-f 0.5mm²
2. APPLICATOR FEED; 7.5mm
3. P/N OF LOOSE PIECE;
PRE-TIN; 1376607-1
SELECTIVE GOLD; 1376607-2

SELECTIVE GOLD	1376109-2
PRE-TIN	1376109-1
FINISH	PART NO.

WIRE RANGE 総合電線範囲 0.22~0.56mm² INSULATION DIA 絶縁外径 Ø0.95~1.7

THIS DRAWING IS A CONTROLLED DOCUMENT.		DWN I. KOHNO 09-JUL-04
DIMENSIONS: 単位: ㎜		CHK N. SAI 09-JUL-04
TOLERANCES UNLESS OTHERWISE SPECIFIED: 公差: ±0.3		APVD K. SHIMIZU 09-JUL-04
0-PLC ±0.5		PRODUCT SPEC
1-PLC ±0.5		APPLICATION SPEC
2-PLC ±0.13		114-5291
3-PLC ±0.013		WEIGHT 0.19g
4-PLC ±0.001		CUSTOMER DRAWING
ANGLES ±3°		
FINISH 仕上		
MATERIAL 材料 COPPER ALLOY		SEE TABLE

STE TE Connectivity		025 TAB CONTACT	
SIZE	CAGE CODE	DRAWING NO	RESTRICTED TO
A2	00779	C-1376109	
SCALE 尺	SHEET	OF	REV
10:1			A3