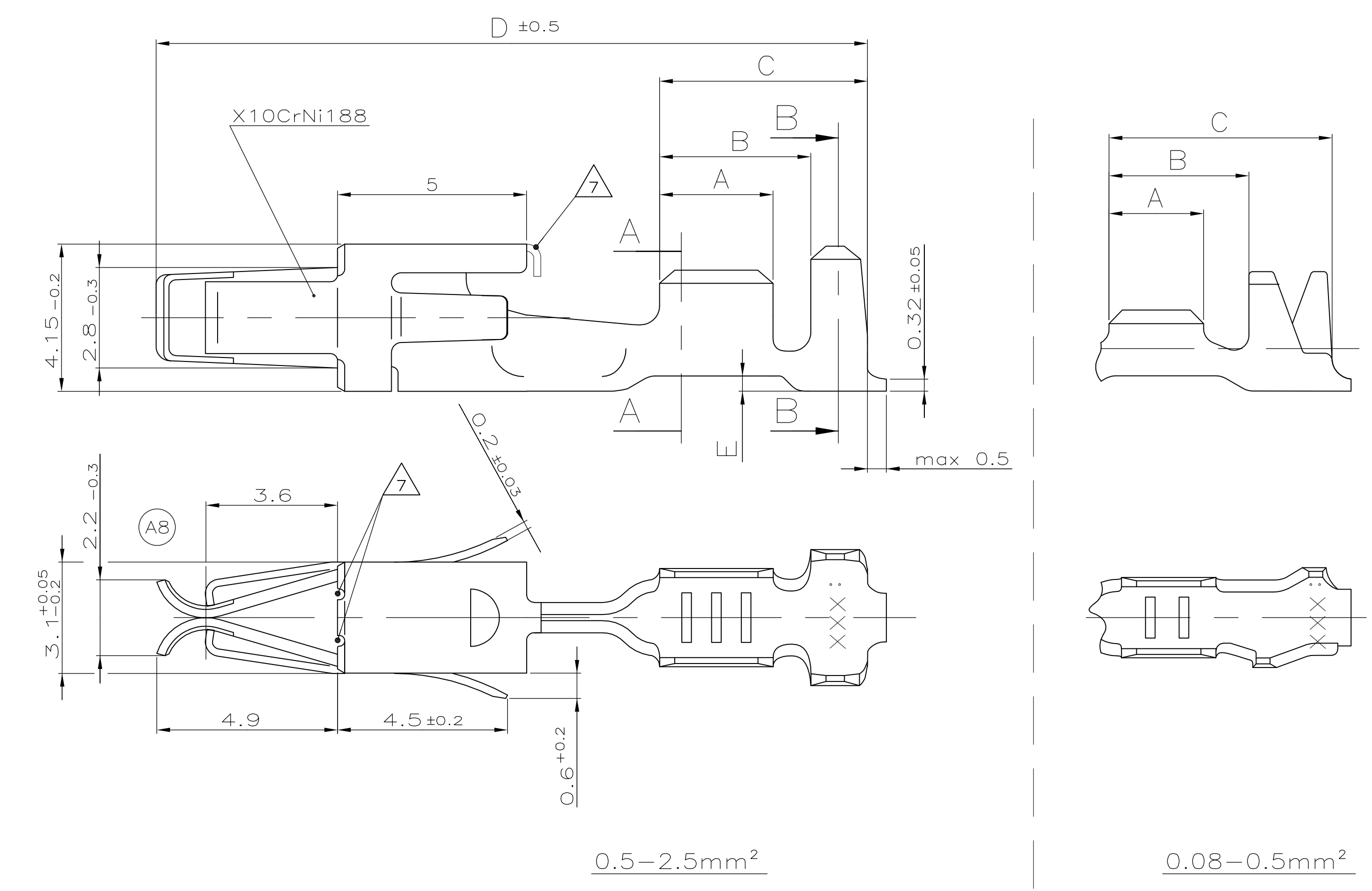
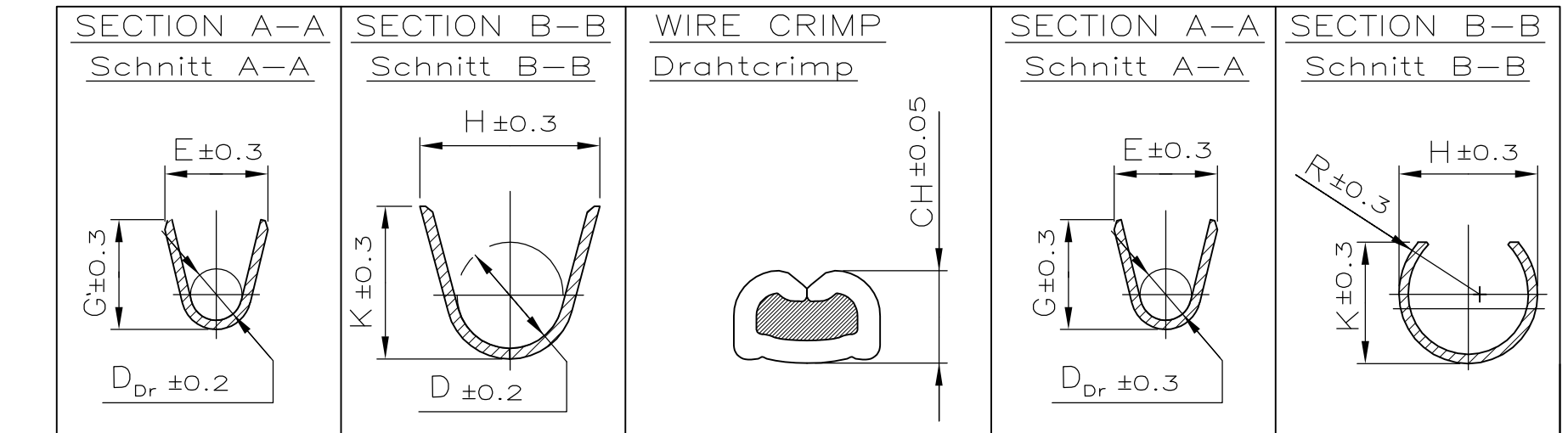
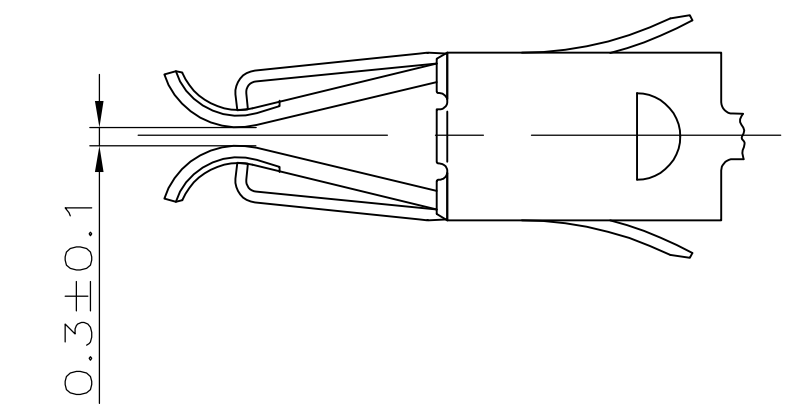


REMARKS

- 1 CONTACT BODY PRE-SILVER PLATED MIN. 0.8µm CONTACT ZONE SELECTIVE PRE-SILVER PLATED MIN. 3µm  
 Kontaktkoerper vorversilbert min. 0,8µm Kontaktzone selektiv vorversilbert min. 3µm
- 2 CONTACT ZONE GOLD PLATED MIN. 0.8µm OVER MIN. 1.3µm Ni-LAYER CRIMP AREA MIN. 1µm TIN PLATED OVER Ni-LAYER  
 Kontaktzone vergoldet min. 0,8µm ueber min. 1,3µm Ni-Zwischenschicht Crimpbereich min. 1µm verzinkt ueber Ni-Zwischenschicht
- 3 CANTILEVER SPRING INSIDE AND OUTSIDE 0.4-1.2µm Au  
 Ueberfeder innen und aussen 0,4-1,2µm Au
- 4 CONTACT BODY, CONTACT SPRING INSIDE AND CRIMP AREA MIN. 1µm TIN PLATED OVER Ni-LAYER, TOUCHING AREA TO CANTILEVER SPRING AND CONTACT SPRING OUTSIDE SELECTIVE 0.8µm Au OVER MIN. 1.3µm Ni-LAYER  
 Kontaktkoerper, Kontaktfeder innen und Crimpbereich min. 1µm verzinkt ueber Ni-Zwischenschicht, Anlageflaeche zur Ueberfeder und Kontaktfeder aussen selektiv 0,8µm vergoldet ueber min. 1µm Ni-Zwischenschicht
- 5 CONTACT ZONE AND TOUCHING AREA TO CANTILEVER SPRING MIN. 0.8µm SELECTIVE Au PLATED OVER 1.3µm Ni PLATED, CRIMP AREA MIN. 1µm TIN PLATED OVER Ni-LAYER  
 Kontaktzone und Anlageflaeche zur Ueberfeder min. 0,8µm vergoldet ueber min. 1,3µm Ni-Zwischenschicht Crimpbereich min. 1µm verzinkt ueber Ni-Zwischenschicht
- 6 CONTACT BODY AND CRIMP AREA MIN. 1µm TIN PLATED OVER Ni-LAYER, TOUCHING AREA TO CANTILEVER SPRING SELECTIVE 0.8µm Au OVER MIN. 1.3µm Ni-LAYER  
 Kontaktkoerper und Crimpbereich min. 1µm verzinkt ueber Ni-Zwischenschicht Anlageflaeche zur Ueberfeder selektiv 0,8µm vergoldet ueber min. 1,3µm Ni-Zwischenschicht
- 7 CONTACT OFF OPTIONAL  
 Abschnitt\Freischnitt optional
- 8 CONTACT RE-TREATED WITH LUBRICANT BARRIERTA DISPERSION  
 Kontakt mit Gleitmittel Barrierta Dispersion behandelt
- 9 VARIANTS WITH GAP-SIZE 0.3±0.1mm  
 Varianten mit Gap-Size 0.3±0.1mm



| ORDER-NO.  | REV | ORDER-NO.  | MATERIAL | SURFACE                | DGB      | WIRE CRIMP                                  | WIRE CRIMP HEIGHT             | LOOSE PIECE  | APPLICATION TOOL           | HAND TOOL                            | A   | B   | C   | D    | E   | REMARKS |  |
|------------|-----|------------|----------|------------------------|----------|---|-------------------------------|--|----------------------------|--------------------------------------|-----|-----|-----|------|-----|---------|--|
| 928810-6   | A   | -          | CuSn4    | 1                      | 0.5-1.0  | E = 2.6<br>G = 2.8<br>D <sub>cr</sub> = 1.1 | H = 3.6<br>K = 3.9<br>D = 1.8 | 0.5mm <sup>2</sup> = 1.18<br>0.75mm <sup>2</sup> = 1.27<br>1.0mm <sup>2</sup> = 1.36                               | MQC-Applicator<br>878181-2 | 539635-1<br>mit Matrize:<br>539674-2 | 3.0 | 4.0 | 5.5 | 18.8 | 0.4 | 9       |  |
| 928810-3   | A   | 928810-4   | CuSn4    | vorverzinkt<br>min 1µm | FLR      |   |                               |  |                            |                                      |     |     |     |      |     |         |  |
| 928810-1   | A   | 928810-2   | CuSn4    | vorverzinkt<br>min 1µm | FLR      |   |                               |  |                            |                                      |     |     |     |      |     |         |  |
| 963884-2   | A   | 963885-2   | CuSn4    | vorverzinkt<br>min 1µm | >1.0-2.5 | E = 3.6<br>G = 3.8<br>D <sub>cr</sub> = 1.8 | H = 4.7<br>K = 4.9<br>D = 2.6 | 1.25mm <sup>2</sup> = 1.44<br>1.5mm <sup>2</sup> = 1.51<br>2.0mm <sup>2</sup> = 1.64<br>2.5mm <sup>2</sup> = 1.77  | MQC-Applicator<br>878180-2 | 539635-1<br>mit Matrize:<br>539674-2 | 3.3 | 4.3 | 5.8 | 18.8 | 0.4 | 9       |  |
| 2-927773-1 | P   | 2-927781-1 | CuSn4    | 2                      | >1.0-2.5 | E = 3.6<br>G = 3.8<br>D <sub>cr</sub> = 1.8 | H = 5.5<br>K = 5.8<br>D = 3.6 | 1.25mm <sup>2</sup> = 1.44<br>1.5mm <sup>2</sup> = 1.51<br>2.0mm <sup>2</sup> = 1.64<br>2.5mm <sup>2</sup> = 1.77  | MQC-Applicator<br>878190-2 | 539635-1<br>mit Matrize:<br>539674-2 | 3.3 | 4.3 | 5.8 | 18.8 | 0.4 |         |  |
| 1-927773-1 | P   | 1-927781-1 | CuFe2    | 1                      |          |   |                               |  |                            |                                      |     |     |     |      |     |         |  |
| 927773-6   | N   | 927781-6   | CuSn4    | vorverzinkt<br>min 1µm | FLK      |   |                               |  |                            |                                      |     |     |     |      |     |         |  |
| 927773-3   | N   | 927781-3   | CuSn4    | vorverzinkt<br>min 1µm | FLK      |   |                               |  |                            |                                      |     |     |     |      |     |         |  |
| 927773-1   | N   | 927781-1   | CuFe2    | 1                      |          |   |                               |  |                            |                                      |     |     |     |      |     |         |  |
| 2-927768-1 | R   | 2-927777-1 | CuSn4    | 2                      | >1.0-2.5 | E = 3.6<br>G = 3.8<br>D <sub>cr</sub> = 1.8 | H = 4.7<br>K = 4.9<br>D = 2.6 | 1.25mm <sup>2</sup> = 1.44<br>1.5mm <sup>2</sup> = 1.51<br>2.0mm <sup>2</sup> = 1.64<br>2.5mm <sup>2</sup> = 1.77  | MQC-Applicator<br>878180-2 | 539635-1<br>mit Matrize:<br>539674-2 | 3.3 | 4.3 | 5.8 | 18.8 | 0.4 |         |  |
| 1-927768-1 | R   | 1-927777-1 | CuFe2    | 3, 4, 1                |          |   |                               |  |                            |                                      |     |     |     |      |     |         |  |
| 927768-9   | P   | 927777-9   | CuSn4    | vorverzinkt<br>min 1µm | FLR      |   |                               |  |                            |                                      |     |     |     |      |     |         |  |
| 927768-6   | P   | 927777-6   | CuSn4    | vorverzinkt<br>min 1µm | FLR      |   |                               |  |                            |                                      |     |     |     |      |     |         |  |
| 927768-3   | P   | 927777-3   | CuSn4    | vorverzinkt<br>min 1µm | FLR      |   |                               |  |                            |                                      |     |     |     |      |     |         |  |
| 927768-1   | P   | 927777-1   | CuFe2    | 1                      |          |   |                               |  |                            |                                      |     |     |     |      |     |         |  |
| 2-927771-2 | N   | 2-927779-2 | CuSn4    | 3, 6                   | 0.5-1.0  | E = 2.6<br>G = 2.8<br>D <sub>cr</sub> = 1.1 | H = 3.6<br>K = 3.9<br>D = 1.8 | 0.5mm <sup>2</sup> = 1.18<br>0.75mm <sup>2</sup> = 1.27<br>1.0mm <sup>2</sup> = 1.36                               | MQC-Applicator<br>878181-2 | 539635-1<br>mit Matrize:<br>539674-2 | 3   | 4   | 5.5 | 18.8 | 0.4 |         |  |
| 2-927771-1 | N   | 2-927779-1 | CuSn4    | 3, 4, 5, 1             |          |   |                               |  |                            |                                      |     |     |     |      |     |         |  |
| 1-927771-1 | N   | 1-927779-1 | CuFe2    | 2                      |          |   |                               |  |                            |                                      |     |     |     |      |     |         |  |
| 927771-9   | M   | 927779-9   | CuSn4    | vorverzinkt<br>min 1µm | FLR      |   |                               |  |                            |                                      |     |     |     |      |     |         |  |
| 927771-8   | N   | 927779-8   | CuSn4    | vorverzinkt<br>min 1µm | FLR      |   |                               |  |                            |                                      |     |     |     |      |     |         |  |
| 927771-6   | M   | 927779-6   | CuSn4    | vorverzinkt<br>min 1µm | FLR      |   |                               |  |                            |                                      |     |     |     |      |     |         |  |
| 927771-3   | M   | 927779-3   | CuSn4    | vorverzinkt<br>min 1µm | FLR      |   |                               |  |                            |                                      |     |     |     |      |     |         |  |
| 927771-1   | M   | 927779-1   | CuFe2    | 1                      |          |   |                               |  |                            |                                      |     |     |     |      |     |         |  |
| 2-927774-1 | C   | 2-927776-1 | CuSn4    | 2                      | 0.2-0.5  | E = 2.1<br>G = 2.1<br>D <sub>cr</sub> = 0.8 | H = 2.7<br>K = 2.8<br>D = 1.4 | 0.2mm <sup>2</sup> = 0.98<br>0.25mm <sup>2</sup> = 1.00<br>0.35mm <sup>2</sup> = 1.05<br>0.5mm <sup>2</sup> = 1.12 | MQC-Applicator<br>878332-2 | 539635-1<br>mit Matrize:<br>539737-2 | 2.5 | 3.5 | 5.6 | 18.8 | 0.4 |         |  |
| 1-927774-1 | C   | 1-927776-1 | CuFe2    | 3, 5, 1                |          |   |                               |  |                            |                                      |     |     |     |      |     |         |  |
| 927774-8   | C   | 927776-8   | CuSn4    | vorverzinkt<br>min 1µm | FLR      |   |                               |  |                            |                                      |     |     |     |      |     |         |  |
| 927774-6   | B   | 927776-6   | CuSn4    | vorverzinkt<br>min 1µm | FLR      |   |                               |  |                            |                                      |     |     |     |      |     |         |  |
| 927774-3   | B   | 927776-3   | CuSn4    | vorverzinkt<br>min 1µm | FLR      |   |                               |  |                            |                                      |     |     |     |      |     |         |  |
| 927774-1   | B   | 927776-1   | CuFe2    | 1                      |          |   |                               |  |                            |                                      |     |     |     |      |     |         |  |
| 2-963708-1 | C   | 2-963777-1 | CuSn4    | 2                      | 0.08-0.2 | E = 1.7<br>G = 1.7<br>D <sub>cr</sub> = 0.6 | H = 3.1<br>K = 3.2<br>D = 1.6 | 0.08mm <sup>2</sup> = 0.79<br>0.14mm <sup>2</sup> = 0.83<br>0.22mm <sup>2</sup> = 0.87                             | MQC-Applicator<br>878599-2 | 734414-1                             | 2.5 | 3.7 | 5.9 | 18.8 | 0.4 |         |  |
| 1-963708-1 | C   | 1-963777-1 | CuFe2    | 1                      |          |   |                               |  |                            |                                      |     |     |     |      |     |         |  |
| 963708-6   | B   | 963777-6   | CuSn4    | vorverzinkt<br>min 1µm | FLR      |   |                               |  |                            |                                      |     |     |     |      |     |         |  |
| 963708-3   | B   | 963777-3   | CuSn4    | vorverzinkt<br>min 1µm | FLR      |   |                               |  |                            |                                      |     |     |     |      |     |         |  |
| 963708-1   | B   | 963777-1   | CuFe2    | 1                      |          |   |                               |  |                            |                                      |     |     |     |      |     |         |  |

UNDEALD / ungedichtet

UNSEALD  
 ungedichtet

THIS DRAWING IS NOT SUBJECT TO CONSTANT CHANGING SERVICE AND DOES NOT LAY CLAIM TO BE COMPLETE. FOR DEFINITE SPECIFICATION SEE RESPECTIVE TE CONNECTIVITY CUSTOMER DRAWINGS. FURTHER VERSIONS ON INQUIRY.  
 Diese Zeichnung unterliegt nicht dem ständigen Aenderungsdienst und erhebt keinen Anspruch auf Vollstaendigkeit. Verbindliche Angaben sind der jeweiligen TE CONNECTIVITY-Kundenzeichnung zu entnehmen.  
 Weitere Ausfuehrungen auf Anfrage.

|  |                           |   |  |
|--|---------------------------|---|--|
| THIS DRAWING IS A CONTROLLED DOCUMENT.<br>DESE ZEICHNUNG IST EIN KONTROLLIERTES DOKUMENT | REV. 01<br>DATE 09-JUN-99 | APPROVED BY: [Signature]                      | TE Connectivity  |
| DIMENSIONS<br>DIMENSIONEN  | TOLERANCES<br>TOLERANZEN  | PRODUCT SPEC<br>109-18013                     | PRODUCT GROUP DRAWING FOR:<br>JUNIOR POWER TIMER CONTACT |
| MATERIAL<br>SEE TABLE  | FINISH<br>SEE TABLE       | APPLICATION SPEC<br>114-18050                 | SCALE<br>10:1  |
| ORDER-NO.<br>STRIP FORM<br>Bandware  | REV                       | ORDER-NO.<br>LOOSE PIECE<br>Einzelausfuehrung | DRAWING NO.<br>A000779                                   |

