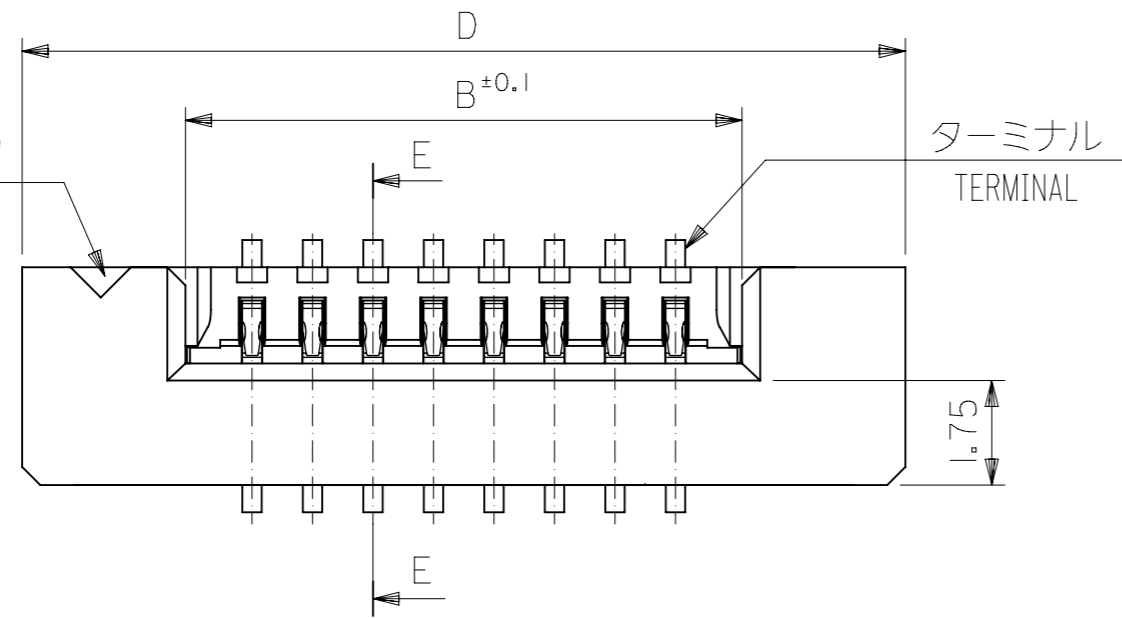
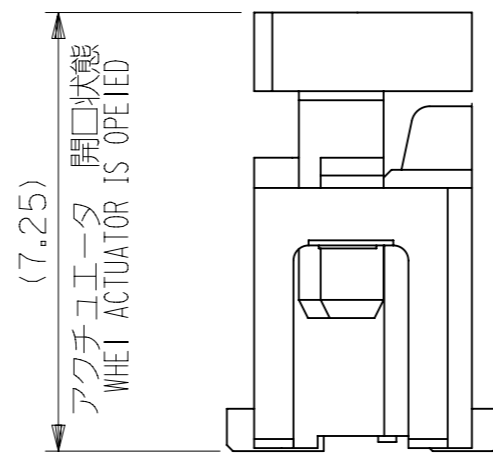


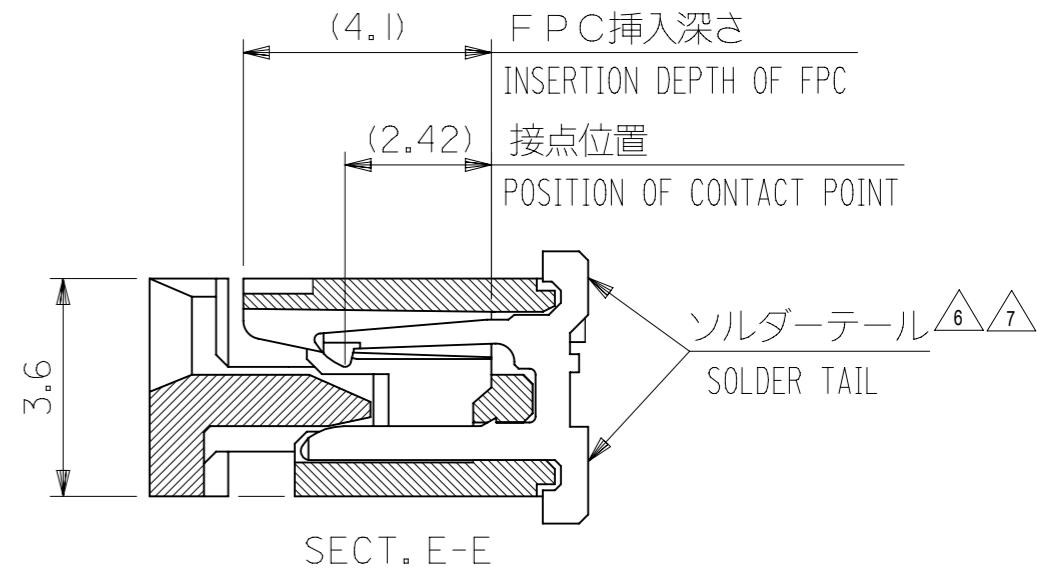
回路番号1マーク
CIRCUIT NO. 1 MARK



ターミナル
TERMINAL



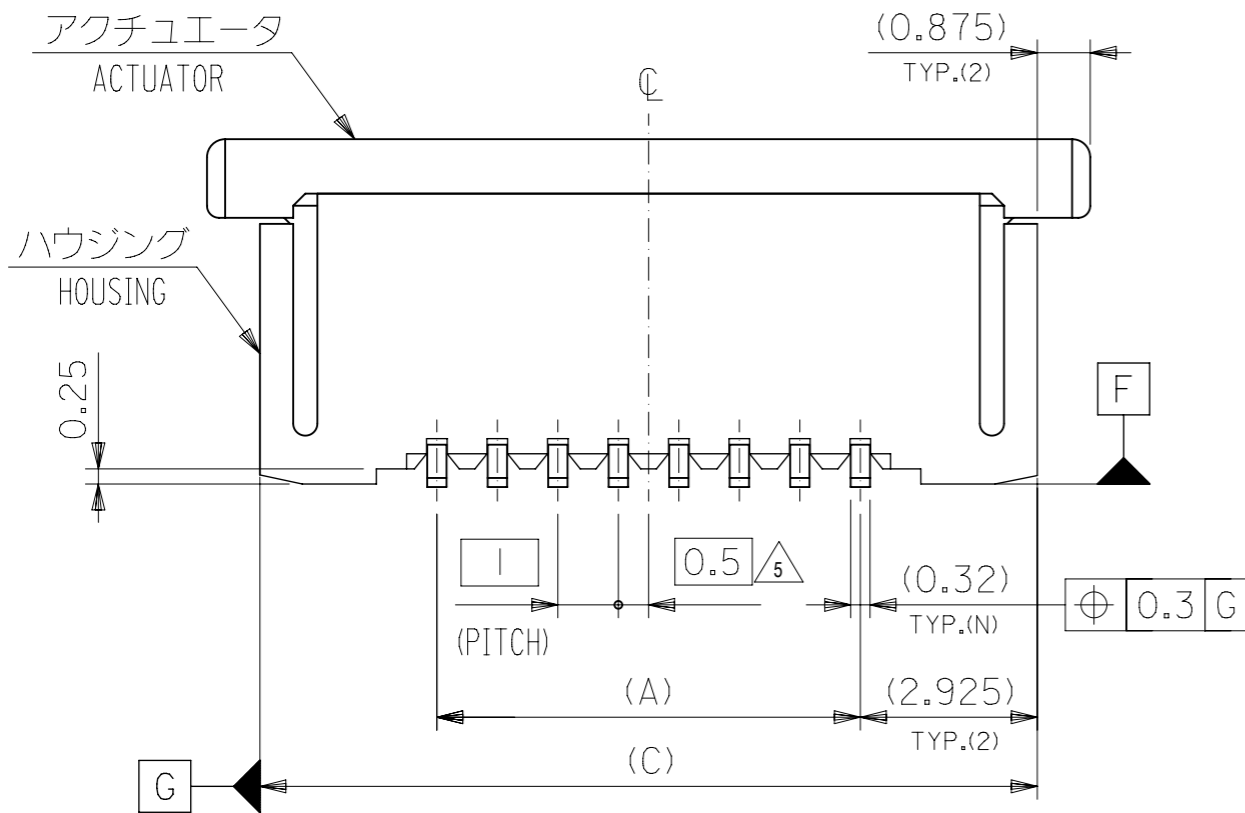
アクチュエータ 開口状態
WHEI ACTUATOR IS OPEIED



F P C 挿入深さ
INSERTION DEPTH OF FPC
接点位置
POSITION OF CONTACT POINT

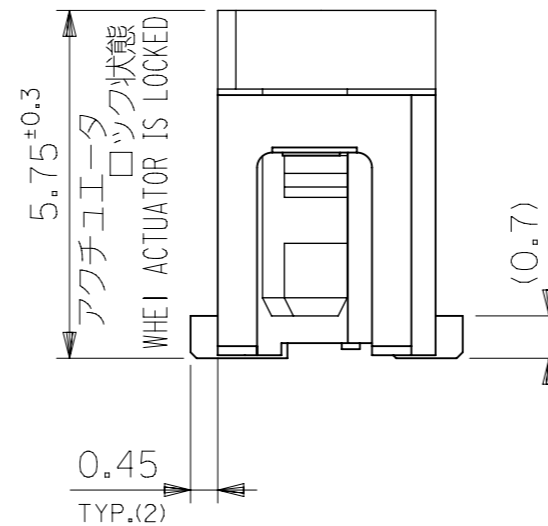
溶剤テール
SOLDER TAIL

SECT. E-E



アクチュエータ
ACTUATOR

ハウジング
HOUSING



アクチュエータ ロック状態
WHEI ACTUATOR IS LOCKED

36.6	34.85	31.2	29	52610-3033	30
34.6	32.85	29.2	27	52610-2833	28
32.6	30.85	27.2	25	52610-2633	26
31.6	29.85	26.2	24	52610-2533	25
30.6	28.85	25.2	23	52610-2433	24
29.6	27.85	24.2	22	52610-2333	23
28.6	26.85	23.2	21	52610-2233	22
26.6	24.85	21.2	19	52610-2033	20
24.6	22.85	19.2	17	52610-1833	18
23.6	21.85	18.2	16	52610-1733	17
22.6	20.85	17.2	15	52610-1633	16
21.6	19.85	16.2	14	52610-1533	15
20.6	18.85	15.2	13	52610-1433	14
19.6	17.85	14.2	12	52610-1333	13
18.6	16.85	13.2	11	52610-1233	12
17.6	15.85	12.2	10	52610-1133	11
16.6	14.85	11.2	9	52610-1033	10
15.6	13.85	10.2	8	52610-0933	9
14.6	12.85	9.2	7	52610-0833	8
13.6	11.85	8.2	6	52610-0733	7
12.6	10.85	7.2	5	52610-0633	6
11.6	9.85	6.2	4	52610-0533	5

EMBOSSED PACKAGE ORDER NO. 極数
オーダー番号 CKT.

CONNECTOR SERIES NO.: 52610-**22

THIS DRAWING CONTAINS INFORMATION THAT IS PROPRIETARY TO MOLEX ELECTRONIC TECHNOLOGIES, LLC AND SHOULD NOT BE USED WITHOUT WRITTEN PERMISSION

GENERAL TOLERANCES (UNLESS SPECIFIED)	
10 UNDER	± 0.2
10 OVER 30 UNDER	± 0.25
30 OVER	± 0.3
ANGULAR ± 3 °	
DRAFT WHERE APPLICABLE MUST REMAIN WITHIN DIMENSIONS	

DIMENSION UNITS	SCALE
mm	8:1
GENERAL TOLERANCES (UNLESS SPECIFIED)	
ANGULAR TOL	± 30 °
4 PLACES	± 0.2
3 PLACES	± 0.25
2 PLACES	± 0.3
1 PLACE	±
0 PLACES	±
DRAFT WHERE APPLICABLE MUST REMAIN WITHIN DIMENSIONS	

EC NO: 724799
DRWN: SUGEEB 2022/10/20
CHK'D: GGA 2022/11/03
APPR: GGA 2022/11/03

INITIAL REVISION:
DRWN: NASANUMA 2012/09/12
APPR: KMORIKAWA 2013/03/15

THIRD ANGLE PROJECTION

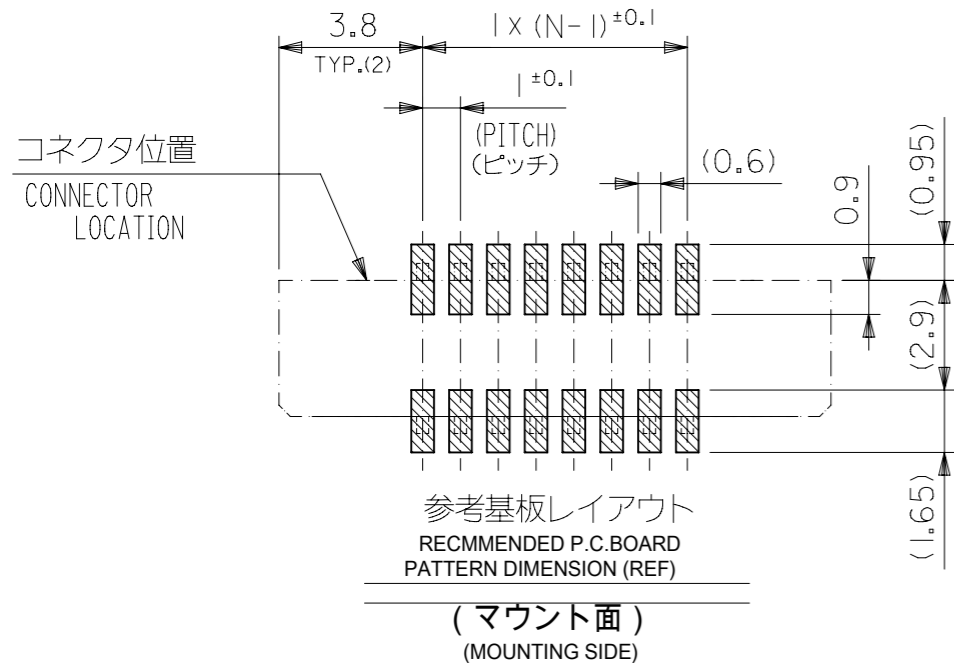
molex

1.0 FPC CONN ZIF S/T HOUSING ASSY

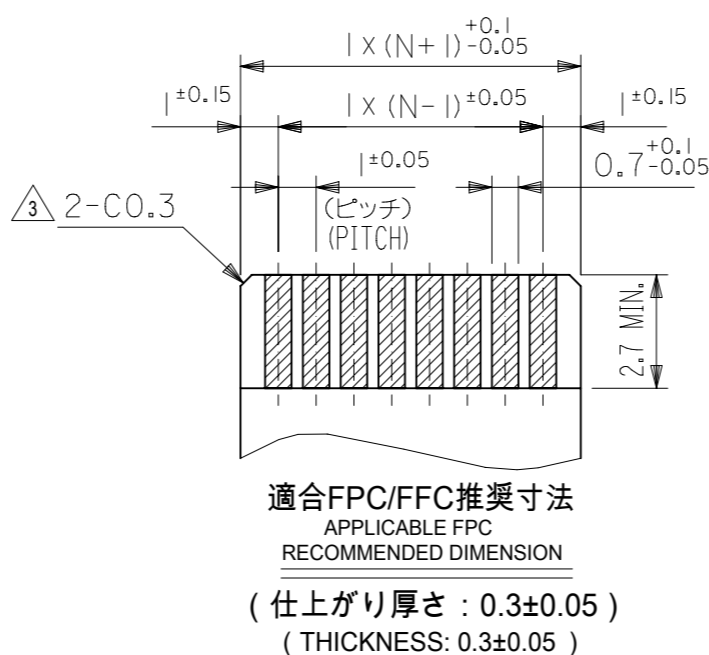
PRODUCT CUSTOMER DRAWING

DOCUMENT NUMBER: SD-52610-048
DOC TYPE: PSD
DOC PART: 001
REVISION: C1

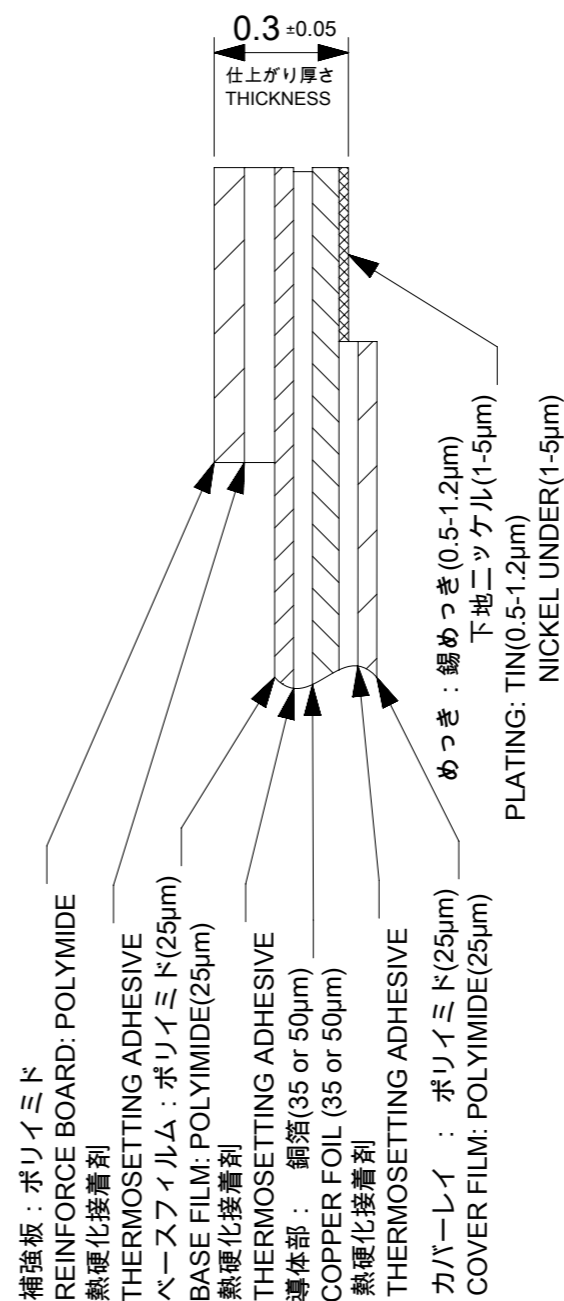
MATERIAL NUMBER: SEE TABLE
CUSTOMER: GENERAL MARKET
SHEET NUMBER: 1 OF 2



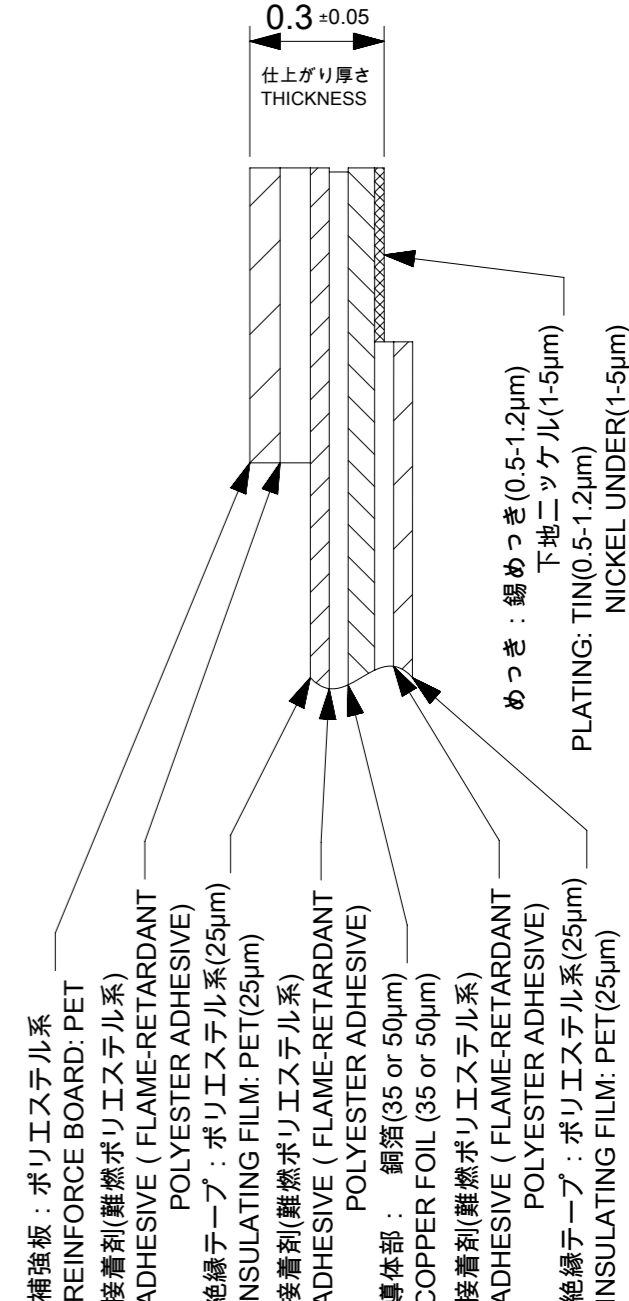
マスク厚 : 120μm
 マスク開口率 : 100%
 SCREEN THICKNESS : 120 MICROMETER
 SCREEN OPEN RATIO : 100%



適合FPC/FFC推奨寸法
 APPLICABLE FPC
 RECOMMENDED DIMENSION
 (仕上がり厚さ : 0.3±0.05)
 (THICKNESS: 0.3±0.05)



FPC構成推奨仕様
 RECOMMENDED STRUCTURE OF FPC



FFC構成推奨仕様
 RECOMMENDED STRUCTURE OF FFC

注記 (NOTES) :

- 材質 MATERIAL
 ハウジング: ポリアミド(PA), ナチュラル (白色), ガラス充填, UL94V-0
 HOUSING: POLYAMIDE, NATURAL(WHITE), GLASS FILLED, UL94V-0
 アクチュエータ: ポリフェニレンサルファイドPPS, ナチュラル (茶色), ガラス充填, UL94-V0
 ACTUATOR: POLYPHENYLENE SULFIDE, NATURAL(BROWN), GLASS FILLED, UL94V-0
 ターミナル: リン青銅 (t=0.32)
 TERMINAL: PHOSPHOR BRONZE(t=0.32)
- めっき仕様 PLATING
 ターミナル TERMINAL
 錫銀ビスマスめっき (1.0μm以上)
 TIN SILVER BISMUTH PLATING (1.0 MICROMETER MINIMUM)
 下地: ニッケルめっき (1.0μm以上)
 UNDER PLATE: NICKEL PLATING (1.0 MICROMETER MINIMUM)
- R0.3はFPCの導体部にかからないこと
 R0.3 MUST NOT BE OVERLAPED TO PATTERN OF FPC.
- エンボステーブ梱包時は、アクチュエータがロックした状態とする。
 IN THE PACKAGE, ACTUATOR SHOULD BE LOCKED.
- 偶数極に適用。
 APPLY FOR EVEN CIRCUIT.
- ソルダーテール半田付け面のズレ量は、基準面 F に対し、上方向0.05MAX.、下方向0.15MAX.とする。
 MISALIGNMENT OF SOLDER TAILS FROM F UPPER DIRECTION 0.05 MAX., LOWER DIRECTION 0.15 MAX.
- ソルダーテールの平坦度は0.1mm以下とする。
 SOLDER TAIL COPLANARITY IS 0.1MM MAXIMUM.
- ELV及びRoHS適合品
 ELV AND RoHS COMPLIANT

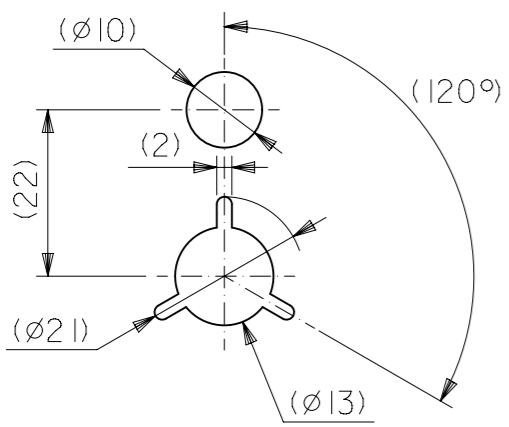
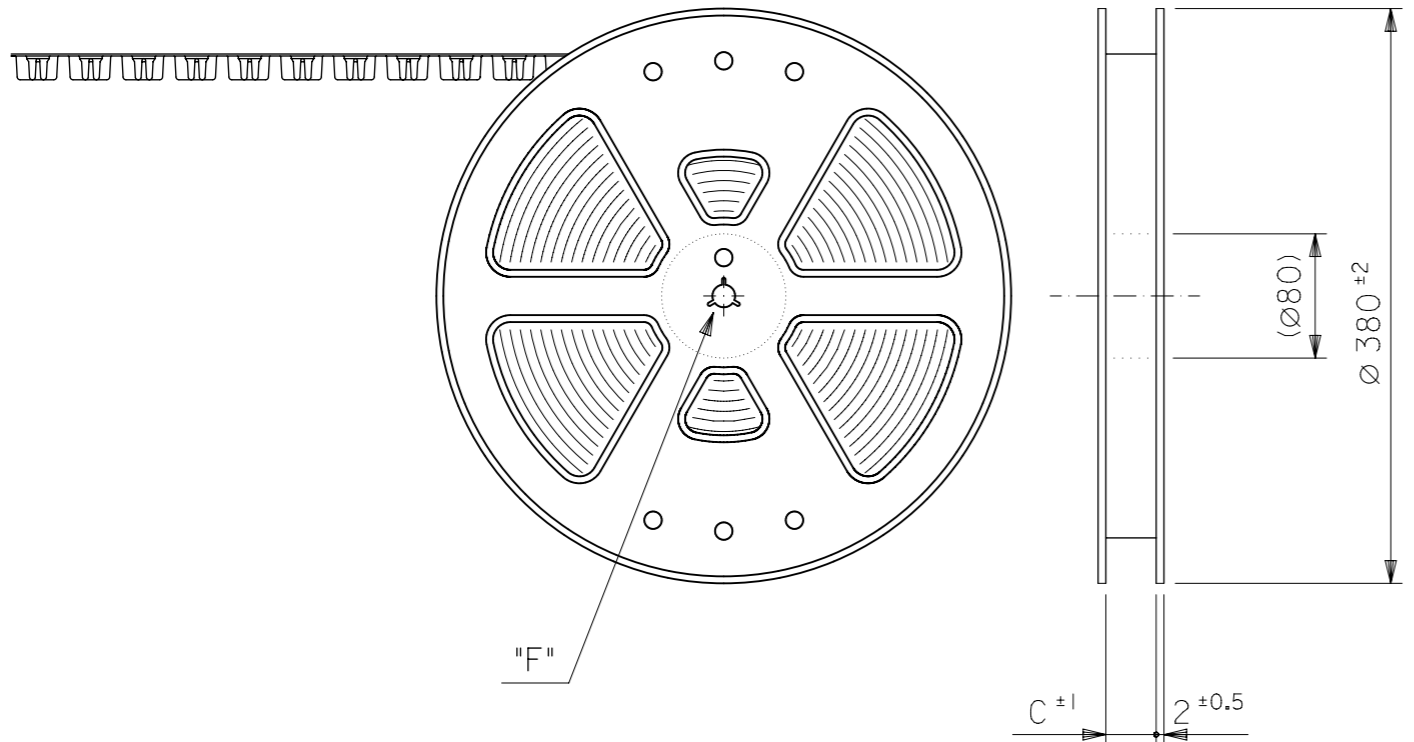
FPC/FFCについて:
 抜き方向は、導体側から補強板側を推奨致します。
 尚、接着剤の接点部への付着は導通不良の原因になりますので、
 染み出しが無い様お願い致します。

ABOUT FPC/FFC:
 RECOMMENDED PUNCHER DIRECTION:
 FROM CONDUCTOR SIDE TO STIFFNER SIDE
 PLEASE PUT APPROPRIATE AMOUNT OF ADHESIVE ON ADHEREND
 BECAUSE THERE IS A POSSIBILITY THAT THE EXTRA ADHESIVE
 CAUSES THE DEFECT IN ELECTRICAL CONTINUITY.

GENERAL TOLERANCES (UNLESS SPECIFIED)	
10 UNDER	± 0.2
10 OVER 30 UNDER	± 0.25
30 OVER	± 0.3
ANGULAR	± 3 °
DRAFT WHERE APPLICABLE MUST REMAIN WITHIN DIMENSIONS	

THIS DRAWING CONTAINS INFORMATION THAT IS PROPRIETARY TO MOLEX ELECTRONIC TECHNOLOGIES, LLC AND SHOULD NOT BE USED WITHOUT WRITTEN PERMISSION	
DIMENSION UNITS: mm	SCALE: 5:1
CURRENT REV DESC: REMOVED OBSOLETE PART NUMBER AS PER PCN#512672.	
molex	
1.0 FPC CONN ZIF S/T HOUSING ASSY	
PRODUCT CUSTOMER DRAWING	
EC NO: 724799	2022/10/20
DRWN: SUGEEB	2022/11/03
CHK'D: GGA	2022/11/03
APPR: GGA	2022/11/03
INITIAL REVISION:	
DRWN: NASANUMA	2012/09/12
APPR: KMORIKAWA	2013/03/15
DOCUMENT NUMBER: SD-52610-048	
DOC TYPE: PSD	DOC PART: 001
REVISION: C1	
SHEET NUMBER: 2 OF 2	

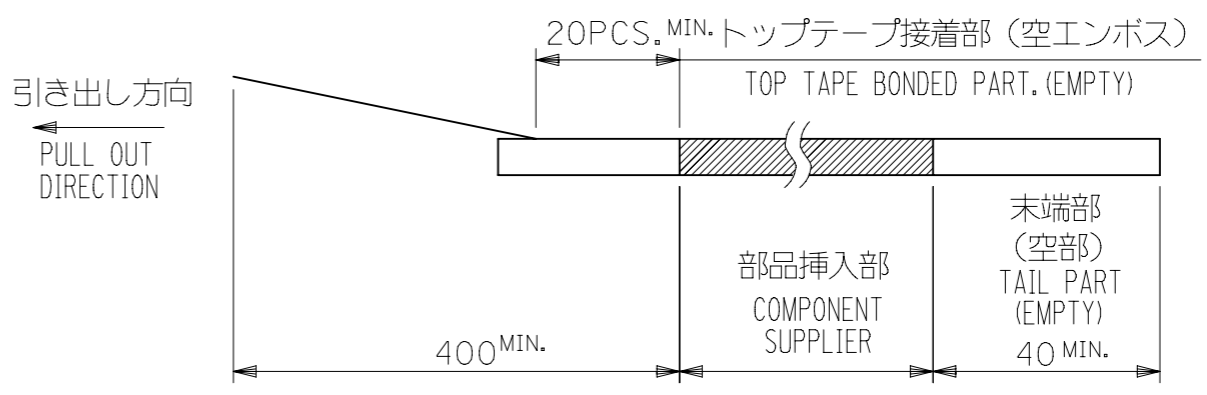
引き出し方向
PULL OUT
DIRECTION



DETAIL "F"

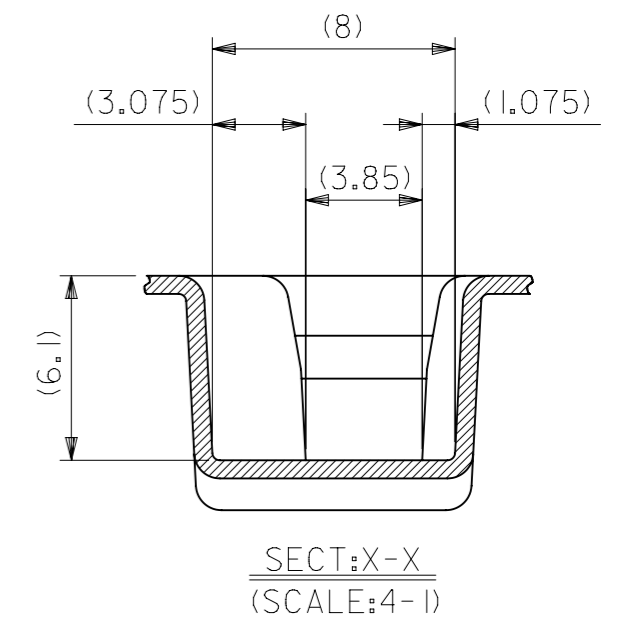
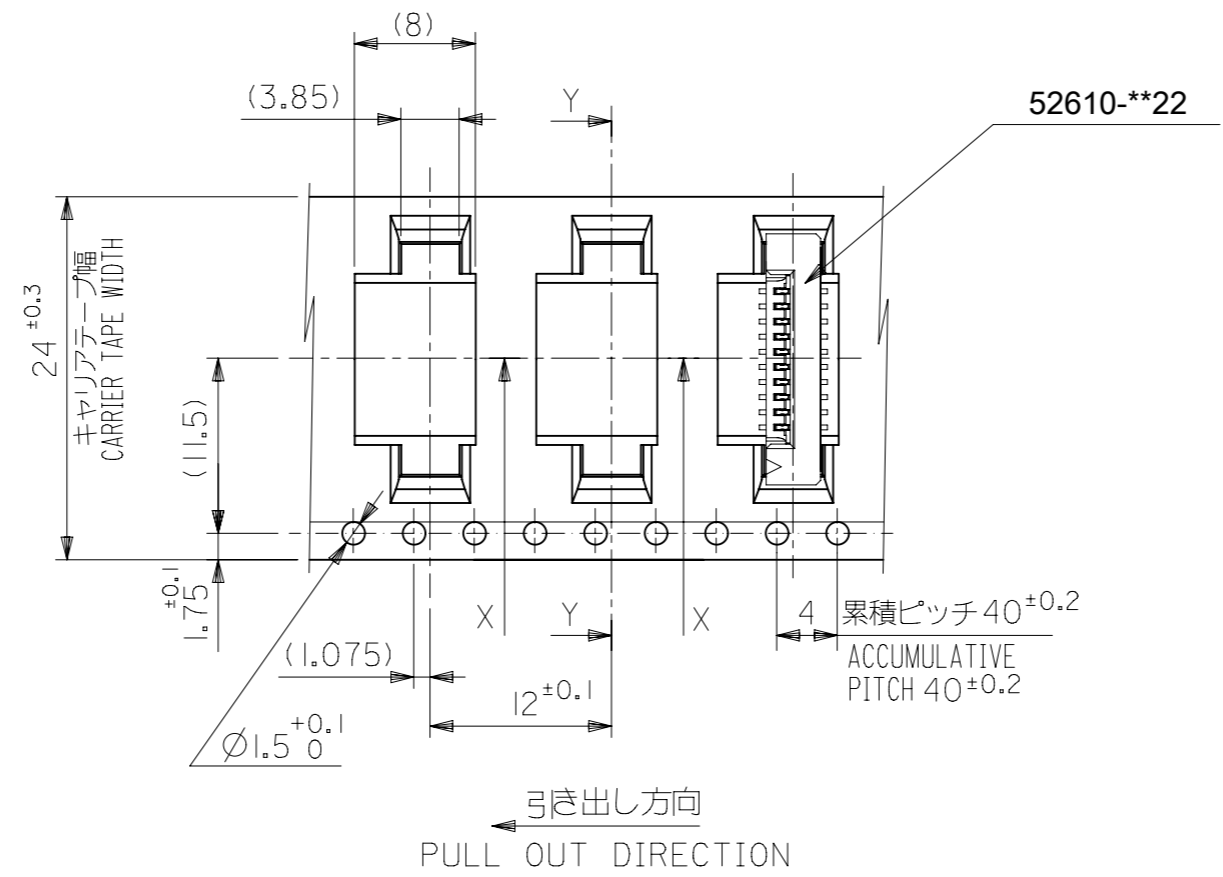
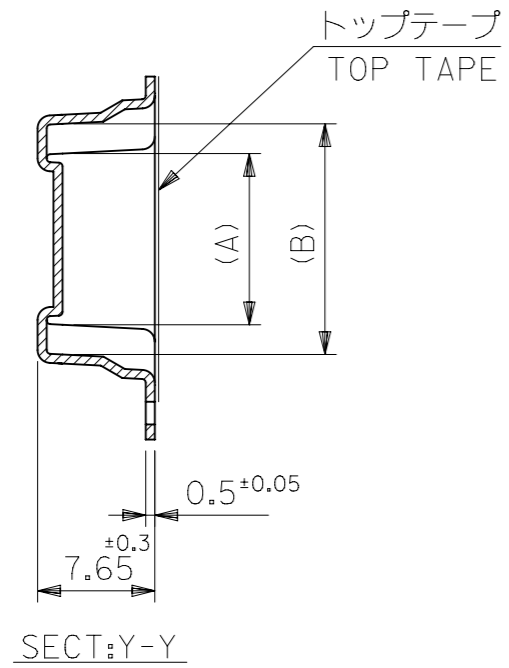
NOTES

- 52610-**22のアクチュエータはハウジング内に押し下げた状態とする。
詳細寸法については図面SD-52610-048をご参照ください。
ACTUATOR OF PART NO. 52610-**22 SHULD BE LOCKED.
RE DETAILED DIMENSIONS, SEE SD-52610-048
- 梱包数量：1000個 / リール
NUMBER OF CONNECTORS : 1000PCS/REEL
- リードテープ長さ
LEAD TAPE LENGTH



- カバーテープの剥離強度については、IEC60286-3に準拠
COVER TAPE PEEL FORCE IS DEFINED BY IEC60286-3.
- 材料(MATERIAL)
キャリアテープ (CARRIER TAPE) : ポリプロピレン (POLYPROPYLENE)
トップテープ (TOP TAPE) : PET, PE, PEF
リール(REEL) : ポリスチレン(PS)<リサイクル材を含む>
POLYSTYREN(PS) <RECYCLE MATERIAL CONTAINED>

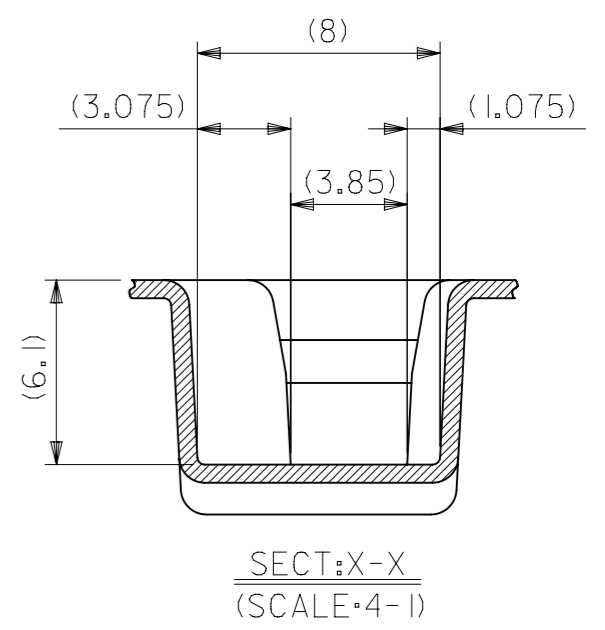
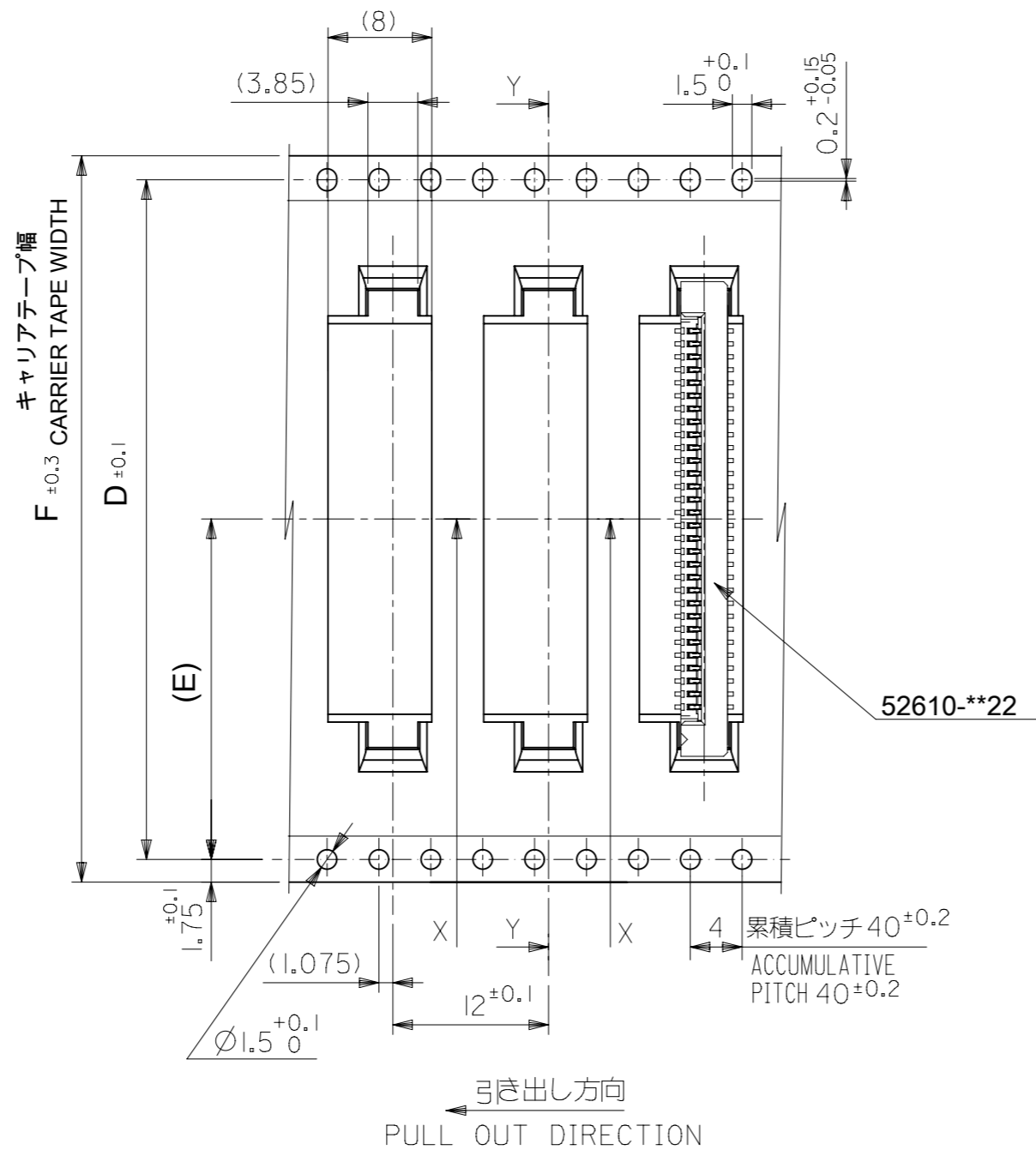
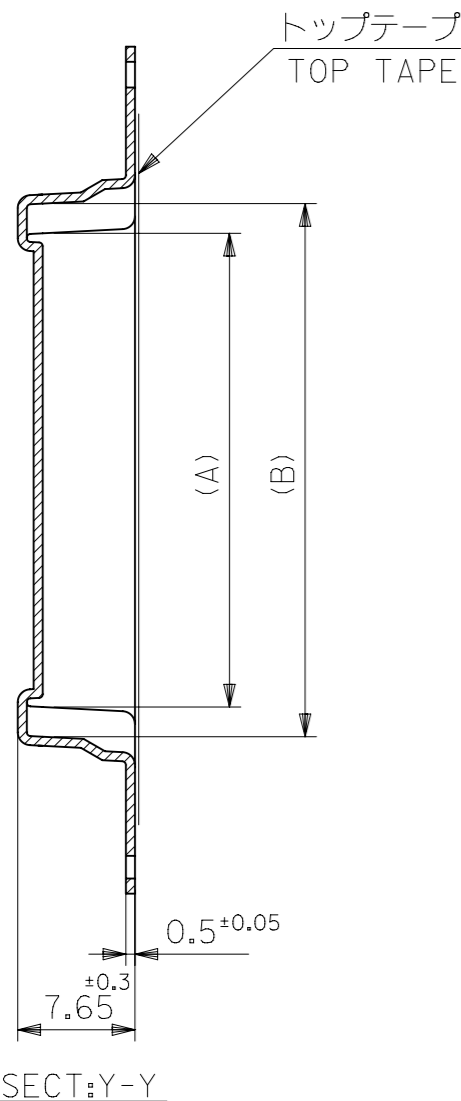
THIS DRAWING CONTAINS INFORMATION THAT IS PROPRIETARY TO MOLEX ELECTRONIC TECHNOLOGIES, LLC AND SHOULD NOT BE USED WITHOUT WRITTEN PERMISSION									
DIMENSION UNITS		SCALE		CURRENT REV DESC: REMOVED OBSOLETE PART NUMBER AS PER PCN#512672.				molex	
mm		NTS							
GENERAL TOLERANCES (UNLESS SPECIFIED)									
		MM		INCH					
4 PLACES		±		±		EC NO: 724799			
3 PLACES		±		±		DRWN: SUGEEB		2022/10/20	
2 PLACES		±		±		CHK'D: GGA		2022/11/03	
1 PLACE		±		±		APPR: GGA		2022/11/03	
0 PLACES		±		±		INITIAL REVISION:			
ANGULAR TOL		± °		± °		DRWN: NASANUMA		2012/09/05	
						APPR: KMORIKAWA		2013/03/15	
DRAFT WHERE APPLICABLE MUST REMAIN WITHIN DIMENSIONS				THIRD ANGLE PROJECTION		DRAWING		SERIES	
				A3-SIZE		52610		MATERIAL NUMBER	
				SEE CHART		GENERAL		CUSTOMER	
								SHEET NUMBER	
								1 OF 3	



24	11.5	25.5	15.25	11.32	52610-1033	10
			14.25	10.32	52610-0933	9
			13.25	9.32	52610-0833	8
			12.25	8.32	52610-0733	7
			11.25	7.32	52610-0633	6
			10.25	6.32	52610-0533	5
F	(E)	C	(B)	(A)	ENG. NO.	極数 CKT.

THIS DRAWING CONTAINS INFORMATION THAT IS PROPRIETARY TO MOLEX ELECTRONIC TECHNOLOGIES, LLC AND SHOULD NOT BE USED WITHOUT WRITTEN PERMISSION

DIMENSION UNITS mm	SCALE NTS	CURRENT REV DESC: REMOVED OBSOLETE PART NUMBER AS PER PCN#512672.		molex		
GENERAL TOLERANCES (UNLESS SPECIFIED)		EC NO: 724799				
		DRWN: SUGEEB 2022/10/20		PRODUCT CUSTOMER DRAWING		
		CHK'D: GGA 2022/11/03		DOCUMENT NUMBER		
		APPR: GGA 2022/11/03		SD-52610-049		
		INITIAL REVISION:		DOC TYPE		
		DRWN: NASANUMA 2012/09/05		PSD		
		APPR: KMORIKAWA 2013/03/15		DOC PART		
		ANGULAR TOL ± °		001		
DRAFT WHERE APPLICABLE MUST REMAIN WITHIN DIMENSIONS		THIRD ANGLE PROJECTION		REVISION		
		DRAWING		A2		
		SERIES		SHEET NUMBER		
		A3-SIZE		2 OF 3		
		52610		MATERIAL NUMBER		
		SEE CHART		CUSTOMER		
		GENERAL				



56	26.2	52.4	57.5	35.25	31.32	52610-3033	30
				33.25	29.32	52610-2833	28
44	20.2	40.4	46.5	31.25	27.32	52610-2633	26
				30.25	26.32	52610-2533	25
				29.25	25.32	52610-2433	24
				28.25	24.32	52610-2333	23
				27.25	23.32	52610-2233	22
				25.25	21.32	52610-2033	20
				23.25	19.32	52610-1833	18
				22.25	18.32	52610-1733	17
32	14.2	28.4	33.5	21.25	17.32	52610-1633	16
				20.25	16.32	52610-1533	15
				19.25	15.32	52610-1433	14
				18.25	14.32	52610-1333	13
F	(E)	D	C	17.25	13.32	52610-1233	12
				16.25	12.32	52610-1133	11
F	(E)	D	C	(B)	(A)	ENG. NO.	極数 CKT.

THIS DRAWING CONTAINS INFORMATION THAT IS PROPRIETARY TO MOLEX ELECTRONIC TECHNOLOGIES, LLC AND SHOULD NOT BE USED WITHOUT WRITTEN PERMISSION

DIMENSION UNITS mm	SCALE NTS	CURRENT REV DESC: REMOVED OBSOLETE PART NUMBER AS PER PCN#512672.		molex		
GENERAL TOLERANCES (UNLESS SPECIFIED)		EC NO: 724799				EMBOSS TAPE PACKAGED FOR 1.0 FPC CONN ZIF S/T HOUSING ASSY
4 PLACES ±	MM	INCH	DRWN: SUGEEB	2022/10/20	PRODUCT CUSTOMER DRAWING	
3 PLACES ±			CHK'D: GGA	2022/11/03		
2 PLACES ±			APPR: GGA	2022/11/03	DOCUMENT NUMBER	
1 PLACE ±			INITIAL REVISION:		DOC TYPE	
0 PLACES ±			DRWN: NASANUMA	2012/09/05	DOC PART	
ANGULAR TOL ± °			APPR: KMORIKAWA	2013/03/15	REVISION	
DRAFT WHERE APPLICABLE MUST REMAIN WITHIN DIMENSIONS	THIRD ANGLE PROJECTION	DRAWING	SERIES	MATERIAL NUMBER	CUSTOMER	SHEET NUMBER
		A3-SIZE	52610	SEE CHART	GENERAL	3 OF 3