

CUSTOMER PRINT

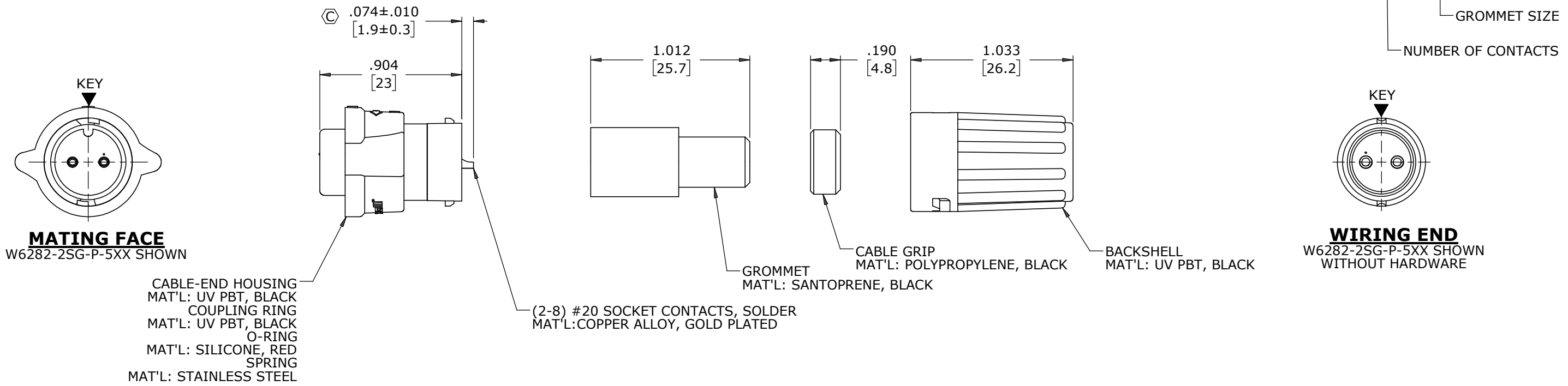
PART NUMBER: W6282-XSG-P-5XX

NOTES:

1. ALL PARTS TO BE BULK PACKED.
2. ALL DIMENSIONS ARE REFERENCE EXCEPT THOSE WITH A TOLERANCE
3. DIMENSIONS IN BRACKETS [] ARE IN MILLIMETERS

ASS'Y P/N	GROMMET SIZE
W6282-XSG-P-513	.148 GROMMET I.D. FOR CABLE O.D. 0.13 - 0.15 [3.3 - 3.8]
W6282-XSG-P-516	.176 GROMMET I.D. FOR CABLE O.D. 0.16 - 0.18 [4.1 - 4.6]
W6282-XSG-P-519	.206 GROMMET I.D. FOR CABLE O.D. 0.19 - 0.21 [4.8 - 5.3]
W6282-XSG-P-522	.245 GROMMET I.D. FOR CABLE O.D. 0.22 - 0.25 [5.6 - 6.3]
W6282-XSG-P-526	.265 GROMMET I.D. FOR CABLE O.D. 0.25 - 0.27 [6.3 - 6.8]
W6282-XSG-P-528	.280 GROMMET I.D. FOR CABLE O.D. 0.26 - 0.28 [6.6 - 7.1]

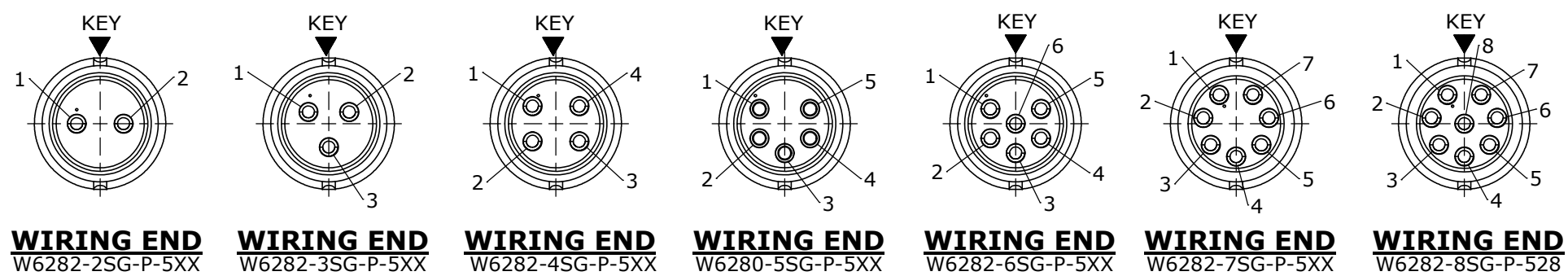
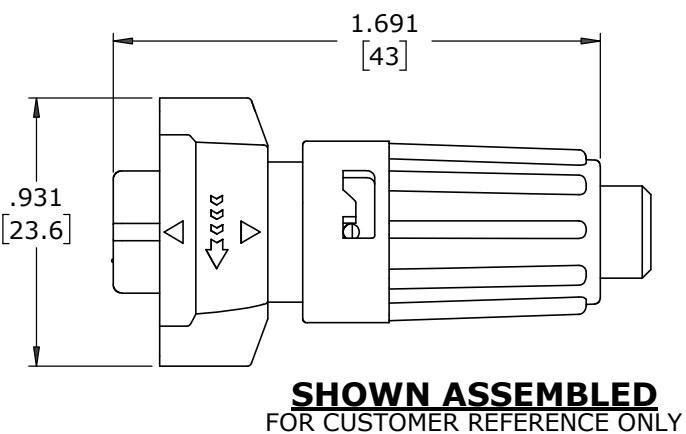
ASSEMBLY P/N	CABLE-END HOUSING P/N	CONTACT QTY
W6282-2SG-P-5XX	6289V4P-2	2
W6282-3SG-P-5XX	6289V4P-3	3
W6282-4SG-P-5XX	6289V4P-4	4
W6282-5SG-P-5XX	6289V4P-5	5
W6282-6SG-P-5XX	6289V4P-6	6
W6282-7SG-P-5XX	6289V4P-7	7
W6282-8SG-P-5XX	6289V4P-8	8
W6282-XSG-P-5XX		



CUSTOMER APPROVAL

THIS DOCUMENT CONTAINS CONFIDENTIAL INFORMATION PROPRIETARY TO CONXALL CORPORATION. ANY REPRODUCTION, DISCLOSURE, OR USE OF THIS DOCUMENT /INFORMATION IS EXPRESSLY PROHIBITED UNLESS AUTHORIZED IN WRITING BY CONXALL CORPORATION.

APPROVED BY: _____
 DATE: _____



RoHS COMPLIANT

C	MA	02-24-21	ADDED W6282-XSG-P-526 TO CHART. ADDED TOLERANCE TO CONTACT HEIGHT PER ECR 9544
B	MA	02-12-20	INSERT LENGTH WAS .890, CONTACT HEIGHT WAS .088 PER PDR 16014 DCR DATED 2-6-20
A	MA	01-10-20	RELEASED PER PDR 16014
	PNK	01-15-18	PDR 16014
REV.	INIT.	DATE	DESCRIPTION
ALL INFORMATION ILLUSTRATED IS THE PROPERTY OF "CONXALL CORPORATION". UNAUTHORIZED DUPLICATION OR DISTRIBUTION OF THIS DOCUMENT IS PROHIBITED.			ORIG. DRAWN BY: PNK DATE: 01-15-18 CHECKED BY:
ALL UNITS ARE IN FEET, INCHES, FRACTION OF INCHES AND DECIMALS. UNLESS OTHERWISE SPECIFIED TOLERANCES: 3 PLACE DECIMALS ±.010 ANGLES ±1° FRACTIONS ±1/16 ▽ = CRITICAL CHARACTERISTIC FLAG PER SPEC. XXXX			APPROVED BY: _____ TITLE: CABLE-END ASSEMBLY 2-8 #20 SOCKET CONTACTS, SOLDER INSTA-CLICK™ MINI-CON-X CUSTOMER: STANDARD PRODUCT
FILE:	W6282-XSG-P-5XX	DIRECTORY:	SLW
SCALE: NTS SIZE: B SHEET: 1 OF 1			PART NUMBER: W6282-XSG-P-5XX REV: c



601 E. WILDWOOD VILLA PARK, IL 60181

Mouser Electronics

Authorized Distributor

Click to View Pricing, Inventory, Delivery & Lifecycle Information:

Switchcraft:

[W6282-5SG-P-522](#) [W6282-6SG-P-516](#) [W6282-4SG-P-528](#) [W6282-4SG-P-519](#) [W6282-2SG-P-522](#) [W6282-3SG-P-526](#) [W6282-7SG-P-522](#) [W6282-4SG-P-526](#) [W6282-6SG-P-513](#) [W6282-2SG-P-519](#) [W6282-2SG-P-513](#) [W6282-2SG-P-516](#) [W6282-5SG-P-516](#) [W6282-7SG-P-513](#) [W6282-7SG-P-516](#) [W6282-8SG-P-516](#) [W6282-6SG-P-528](#) [W6282-8SG-P-526](#) [W6282-2SG-P-528](#) [W6282-3SG-P-522](#) [W6282-5SG-P-526](#) [W6282-5SG-P-519](#) [W6282-6SG-P-522](#) [W6282-4SG-P-516](#) [W6282-3SG-P-516](#) [W6282-3SG-P-519](#) [W6282-5SG-P-528](#) [W6282-8SG-P-513](#) [W6282-3SG-P-513](#) [W6282-7SG-P-519](#) [W6282-4SG-P-513](#) [W6282-7SG-P-528](#) [W6282-8SG-P-522](#) [W6282-6SG-P-526](#) [W6282-6SG-P-519](#) [W6282-5SG-P-513](#) [W6282-3SG-P-528](#) [W6282-2SG-P-526](#) [W6282-8SG-P-519](#) [W6282-7SG-P-526](#) [W6282-8SG-P-528](#) [W6282-4SG-P-522](#)