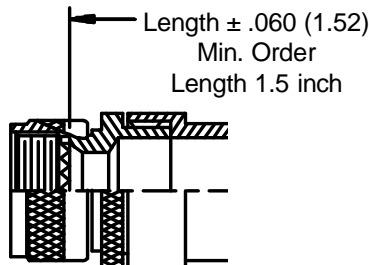
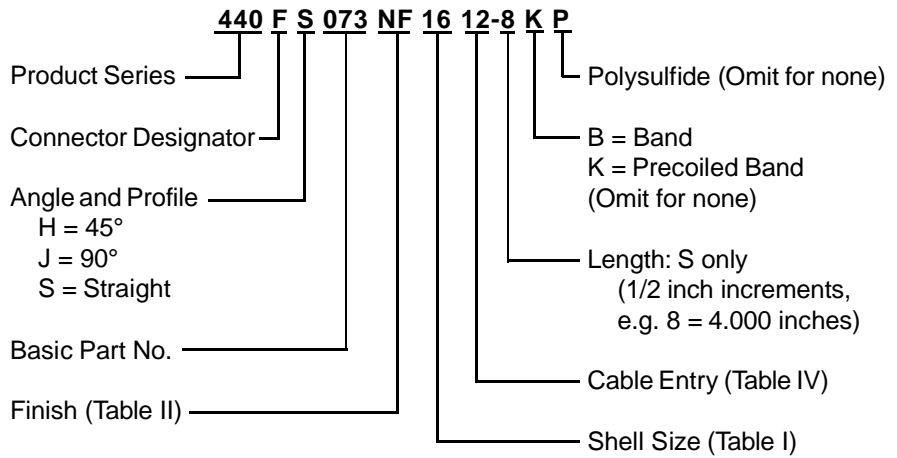
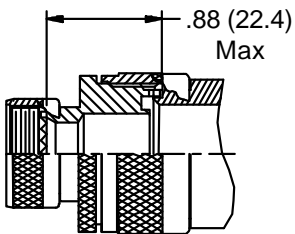
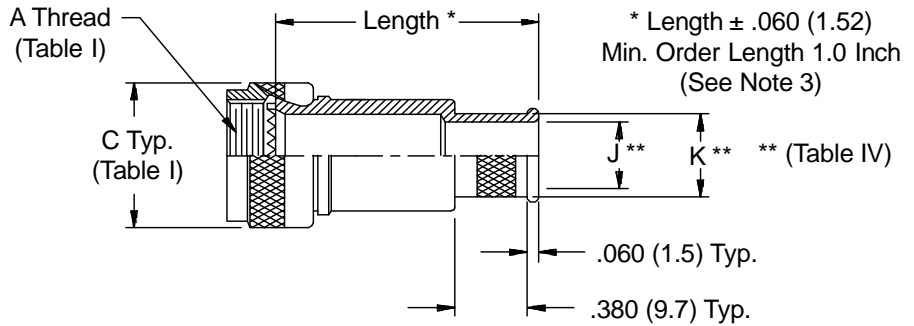


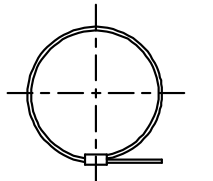
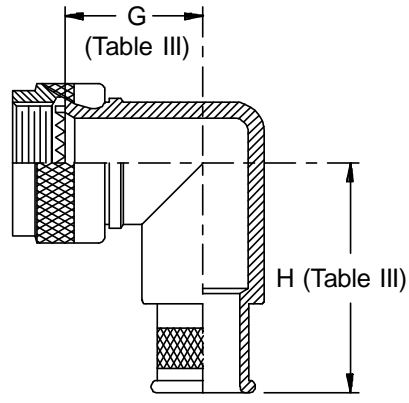
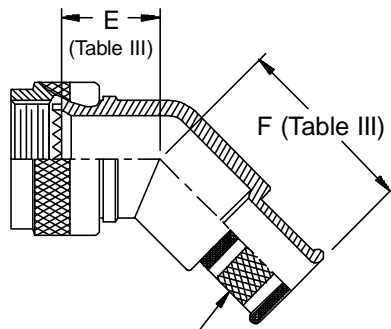
**CONNECTOR DESIGNATORS**  
**A-F-H-L-S**  
**ROTATABLE COUPLING**



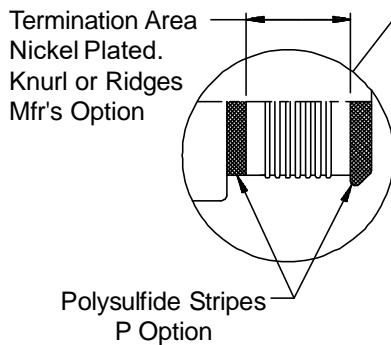
**STYLE 2 (STRAIGHT)**  
See Note 1)



**STYLE 2 (45° & 90°)**  
See Note 1)



Band Option (K Option Shown - See Note 4)



See inside back cover fold-out or pages 13 and 14 for Tables I and II.

TABLE III: ELBOW DIMENSIONS							
Shell Size		E		F		G	
Conn. Desig.	H	Max		Max		Max	
A-F-L-S	H						
08	09	.639	(16.2)	.890	(22.6)	.750	(19.1)
10	11	.664	(16.9)	.920	(23.4)	.810	(20.6)
12	13	.688	(17.5)	.940	(23.9)	.870	(22.1)
14	15	.705	(17.9)	.970	(24.6)	.920	(23.4)
16	17	.732	(18.6)	.990	(25.1)	.980	(24.9)
18	19	.748	(19.0)	1.000	(25.4)	1.020	(25.9)
20	21	.773	(19.6)	1.020	(25.9)	1.080	(27.4)
22	23	.800	(20.3)	1.060	(26.9)	1.140	(29.0)
24	25	.823	(20.9)	1.090	(27.7)	1.200	(30.5)
						1.480	(37.6)

TABLE IV: CABLE ENTRY			
Dash No.	J Dia	K Dia	
02	.125 (3.2)	.250	(6.4)
03	.188 (4.8)	.312	(7.9)
04	.250 (6.4)	.375	(9.5)
05	.312 (7.9)	.438	(11.1)
06	.375 (9.5)	.500	(12.7)
07	.438 (11.1)	.562	(14.3)
08	.500 (12.7)	.625	(15.9)
09	.562 (14.3)	.688	(17.5)
10	.625 (15.9)	.750	(19.1)
11	.688 (17.5)	.812	(20.6)
12	.750 (19.1)	.875	(22.2)
13	.812 (20.6)	.938	(23.8)
14	.875 (22.2)	1.000	(25.4)
15	.938 (23.8)	1.062	(27.0)
16	1.000 (25.4)	1.125	(28.6)
17	1.062 (27.0)	1.188	(30.2)
18	1.125 (28.6)	1.250	(31.8)
20	1.250 (31.8)	1.375	(34.9)
22	1.375 (34.9)	1.500	(38.1)
24	1.500 (38.1)	1.625	(41.3)

1. When maximum cable entry (page 21) is exceeded, Style 2 will be supplied. Dimensions E, F, G and H will not apply. Please consult factory.
2. Metric dimensions (mm) are indicated in parentheses.
3. Consult factory for shorter lengths on straight backshells.
4. Backshells supplied with 600-052-\* band, see Glenair Series 600 Tool Catalog for installation.