

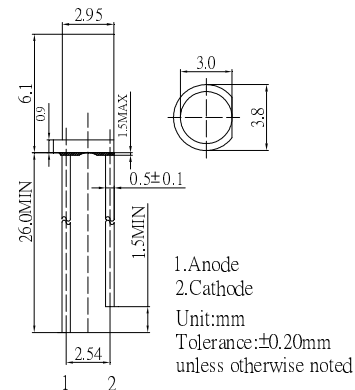
■ **Features**

- High Luminous LEDs
- 3mm Flat Top Standard Directivity
- Long Lifetime Operation
- UV Resistant Epoxy
- White Diffused Type

■ **Applications**

- Electronic Signs And Signals
- Small Area Illuminations
- Back Lighting/ Other Lighting

■ **Outline Dimension**

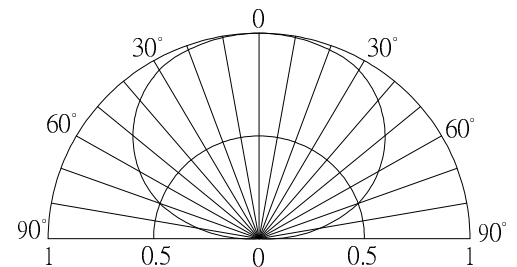


■ **Absolute Maximum Rating** (Ta=25°C)

Item	Symbol	Value		Unit
		W/M/BL/PG	Y/O/R	
DC Forward Current	I <sub>F</sub>	30	30	mA
Pulse Forward Current#	I <sub>FP</sub>	100	100	mA
Reverse Voltage	V <sub>R</sub>	5	5	V
Power Dissipation	P <sub>D</sub>	108	78	mW
Operating Temperature	T <sub>opr</sub>	-30 ~ +85		°C
Storage Temperature	T <sub>stg</sub>	-40~ +100		°C
Lead Soldering Temperature	T <sub>sol</sub>	260°C/5sec		-

#Pulse width Max.10ms Duty ratio max 1/10

■ **Directivity**



■ **Electrical -Optical Characteristics** (Ta=25°C)

Part Number	Color		V <sub>F</sub> (V)			I <sub>R</sub> (μA)	I <sub>v</sub> (mcd)			W <sub>d</sub> (nm)*			2θ1/2(deg)
			Min.	Typ.	Max.		Max.	Min.	Typ.	Max.	Min.	Typ.	Max.
			I <sub>F</sub> =20mA			V <sub>R</sub> =5V		I <sub>F</sub> =20mA					
OSW5DK3NE2A	Cool White	W	2.7	2.9	3.4	10	1120	1560	-	8500-18000K(X:0.27,Y:0.28)			140
OSM5DK3NE2A	Warm White	M	2.7	2.9	3.4	10	750	1120	-	2700-3200K(X:0.44,Y:0.41)			140
OSB5SA3NE2A	Blue	BL	2.8	3.1	3.6	10	220	330	-	465	470	475	140
OSG5DA3NE2A	Pure Green	PG	2.8	3.1	3.6	10	750	1120	-	520	525	530	140
OSY5JA3NE2A	Yellow	Y	1.8	2.1	2.6	10	68	100	-	585	590	595	140
OSY5PA3NE2A	Yellow	Y	1.8	2.1	2.6	10	330	500	-	585	590	595	140
OSO5JA3NE2A	Orange	O	1.8	2.1	2.6	10	100	150	-	600	605	610	140
OSO5PA3NE2A	Orange	O	1.8	2.1	2.6	10	330	500	-	600	605	610	140
OSR5JA3NE2A	Red	R	1.8	2.1	2.6	10	68	100	-	620	625	630	140
OSR5PA3NE2A	Red	R	1.8	2.1	2.6	10	330	500	-	620	625	630	140

\*1 Tolerance of measurements of chromaticity coordinate is ±10%

\*3 Tolerance of measurements of luminous intensity is ±15%

\*2 Tolerance of measurements of dominant wavelength is ±1nm

\*4 Tolerance of measurements of forward voltage is ±0.1V