

Data Sheet | Item Number: 216-287

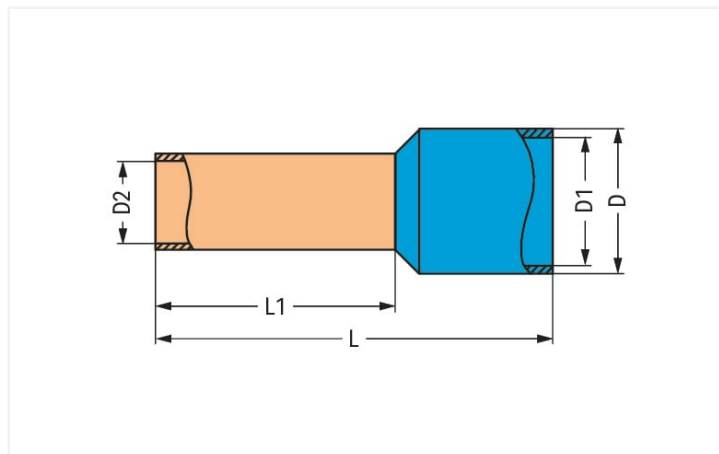
Ferrule; Sleeve for 4 mm² / AWG 12; insulated; electro-tin plated; electrolytic copper; gastight crimped; acc. to DIN 46228, Part 4/09.90; gray

<https://www.wago.com/216-287>



Color: gray

Similar to illustration



Dimensions in mm

Technical data

Main product function	Ferrule
Sleeve cross-section (AWG)	12 AWG
Sleeve for	4 mm ²

Connection data

Strip length	20 mm / 0.79 inches
--------------	---------------------

Physical data

Length	26 mm
Length 1	18 mm
Diameter	5.4 mm
Diameter 1	4.8 mm
Diameter 2	2.8 mm

Mechanical Data

Suitable	2010 to 2016 Series
----------	---------------------

Material Data

Color	gray
Fire load	0 MJ
Weight	0.2 g

Commercial data

PU (SPU)	500 pcs
Packaging type	Box
Country of origin	DE
GTIN	4044918604345
Customs tariff number	85369010000

Downloads

Environmental Product Compliance

Compliance Search

Environmental Product Compliance 216-287	↓
--	-------------------

Documentation

Bid Text

216-287	19.02.2019	xml 2.80 KB	↓
216-287	11.09.2017	doc 24.50 KB	↓

Installation Notes

