

[»Back to Board Level Products](#)

## SW25-4G

TO-218, TO-220, TO-220-single gauge (0.020"), TO-247



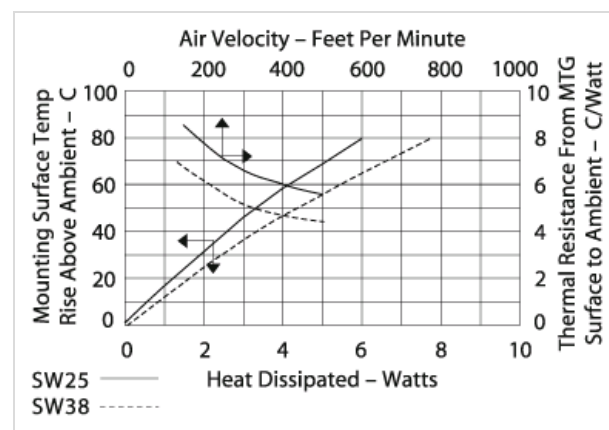
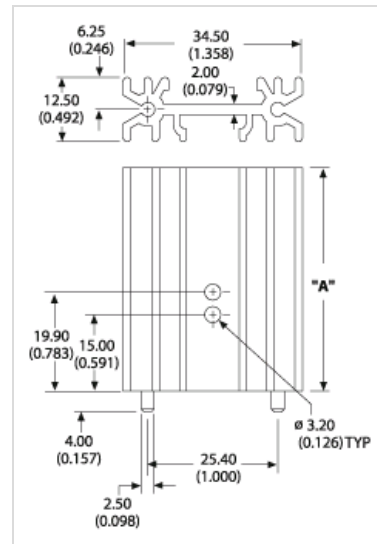
Extruded heat sink with large radial fins and device clips

This non-electronic component is functionally unaffected by the normal soldering or reflow processes used for semiconductor circuits. The heat resistance time or heat resistance temperature is not applicable for the component.

**Height:** 24.89  
**Mount Orientation:** Vertical  
**Finish:** Black Anodize  
**RoHS:** compliant

**Thermal Resistance:** 11.40

**Additional Drawing Dimensions:**  
 A: 25



Pins

### Need assistance?

Call us: 1-855-32-AAVID  
 Email: [estore@aavid.com](mailto:estore@aavid.com)

[» Help Page](#)

### Check Distributor Stock

Enter a part number for pricing and availability.

- [»Request a Sample](#)
- [»Request a Quote](#)
- [»Ask an Engineer](#)

### The Fine Print

- [Product Return Policy](#)
- [Terms & Conditions](#)
- [Privacy Policy](#)

### Customer Assistance

- [Contact Us](#)
- [Get Design Assistance](#)
- [Find a Distributor](#)
- [Find a Sales Rep](#)
- [Request a Quote](#)
- [Placing an Order](#)
- [Terms and Conditions](#)
- [Returns](#)

### Popular Products

- [Fans](#)
- [Extrusions](#)
- [Board Level](#)
- [Liquid Cooling](#)
- [Heat Pipe Technology](#)
- [Heat Sink Accessories](#)
- [Interface Materials](#)

### Our Company

- [News and Events](#)
- [Management Team](#)
- [Worldwide Locations](#)
- [Directions to Headquarters](#)
- [Disclaimer](#)
- [Customer Survey](#)
- [Privacy Policy](#)

### Connect with Aavid

Sign up for Aavid News & Alerts

Like / Follow / Connect



© Copyright 2015 Aavid Thermalloy, LLC.