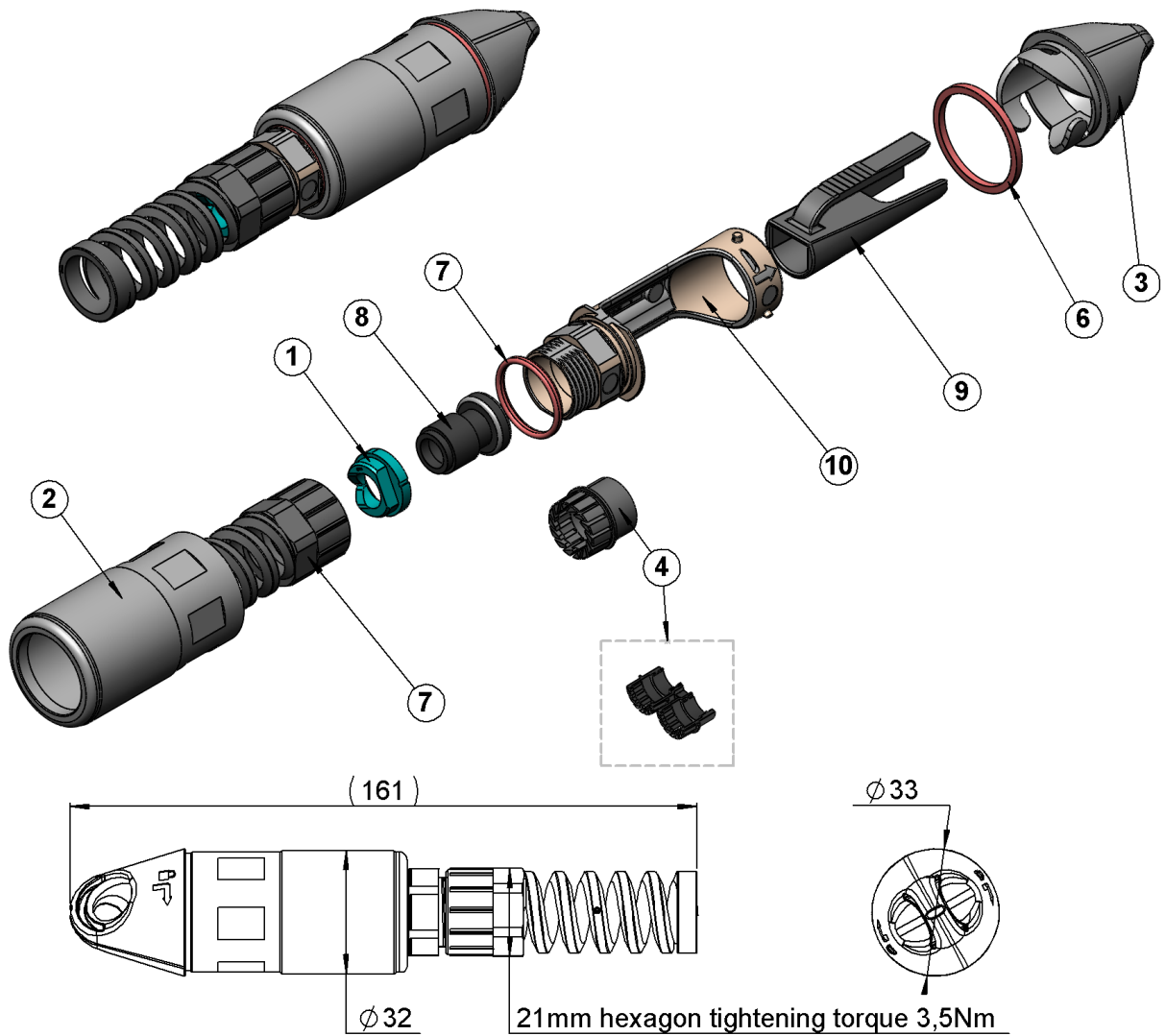


PAGE 1/2	ISSUE 19-03-15B	SERIES R2CT	PART NUMBER R2CT127001
----------	-----------------	-------------	------------------------

Dimensions in mm



**DESCRIPTION**

REP	COMPONENT	MATERIALS	PLATING
1	TIGHTENING CONE	PA6.6	NA
2	COUPLING NUT	ALUMINIUM	NONE
3	PLUG PROTECTION CAP	PBT GF	NA
4	CLAMP NUT ELASTIC SHELL	PA6.6	NA
5	NUT TAIL OF PIG	PA6.6 GF	NA
6	SEALING CAP GASKET	SILICONE	NA
7	O-RING BODY GASKET	SILICONE	NA
8	CLAMP GASKET	NITRILE (NBR)	NA
9	UNLOCKING CLIP	PA6	NA
10	SHORT BODY	ZAMAK 5	NICKEL OVER COPPER

PAGE 2/2	ISSUE <b>19-03-15B</b>	SERIES <b>R2CT</b>	PART NUMBER <b>R2CT127001</b>
----------	------------------------	--------------------	-------------------------------

Dimensions in mm

GENERAL CHARACTERISTICS

<p><b>Mechanical</b></p> <p>Mating endurance Tensile load Vibration Bumps</p>	<p>IEC 61300-2-2 IEC 61300-2-4 IEC 60512-6-4 IEC 60068-2-29</p>	<p><b>200 cycles</b> <b>200N at 3.5N.m tightening torque</b> <b>Compliant</b> <b>Compliant</b></p>
<p><b>Environmental</b></p> <p>Protection class Operating temperature RoHS Salt Mist static</p>	<p>IEC 60529 IEC 61300-2-22 - IEC 60068-2-11</p>	<p><b>IP65</b> <b>-40°C to +85°C</b> <b>Compliant</b> <b>96h</b></p>
<p><b>Compatibility</b></p>	<p align="center"><b>Cable range diameter from 6.5mm to 7.1mm</b></p>	
<p><b>Packaging</b></p>	<p align="center"><b>Unitary in plastic bag (180mm*130mm) with assembly note</b></p>	

# Mouser Electronics

Authorized Distributor

Click to View Pricing, Inventory, Delivery & Lifecycle Information:

[Radial:](#)

[R2CT127001](#)