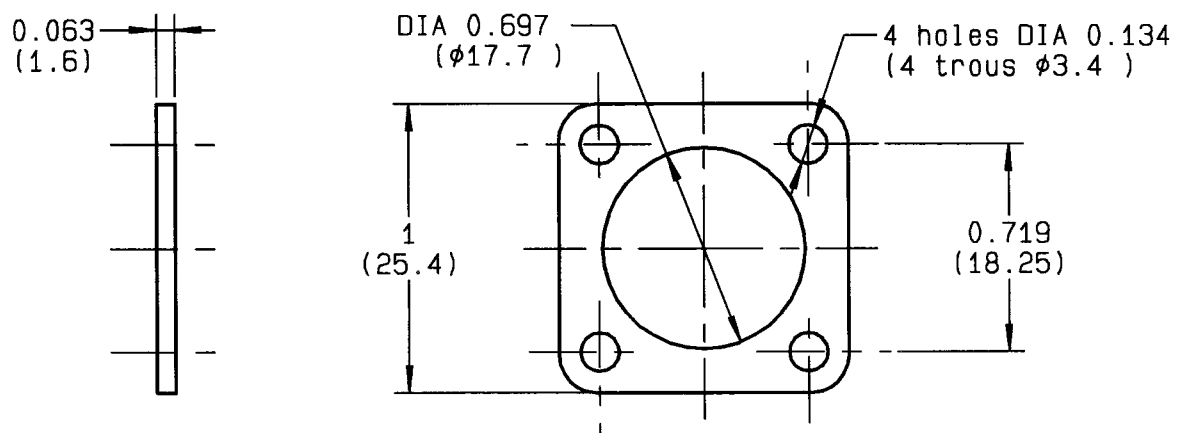


GASKET



CABLES : -

CHARACTERISTICS

NOMINAL IMPEDANCE	- Ω	STANDARDISATION	-
FREQUENCY RANGE	- GHz		-
TEMPERATURE RATING	-20/+100 °C		-
VSWR	- + - x F(GHz)Maxi		-
RF INSERTION LOSS	- √F(GHz) dB Maxi	CABLE RETENTION	0 lb min N
VOLTAGE RATING	- Vrms Max	CENTER CONTACT RETENTION	
DIELECTRIC WITHSTANDING VOLTAGE	- Vrms min	Axial force - mating end	0 lb min N
INSULATION RESISTANCE	- MΩ min	Axial force - opposite end	0 lb min N
HERMETIC SEAL	- cc/s - Atm.cm3/s	Torque (Min)	0 Inch.oz cm.N
LEAKAGE (pressurized only)	- psi - MPa	RECOMMENDED TORQUES	
WEIGHT	0 Oz - g	Mating	0 Inch.lb cm.N
		Panel nut	0 Inch.lb cm.N
		Clamp nut	0 Inch.lb cm.N

CONSTRUCTION

CONNECTOR PARTS	MATERIALS	FINISH
BODY	-	-
OUTER CONTACT	-	-
CENTER CONTACT	-	-
INSULATOR	-	-
GASKET	NEOPRENE RUBBER	-
-	-	-
-	-	-
-	-	-
-	-	-

ISSUE	REVISION No	DESCRIPTION	BY	DATE
-	-	-	-	-
-	-	-	-	-
-	-	-	-	-
-	-	-	-	-

Initiated on 25/09/74

The information given here is subject to change without notice. Design changes may be in order to improve the product.



Approval by BAFFERT

Mouser Electronics

Authorized Distributor

Click to View Pricing, Inventory, Delivery & Lifecycle Information:

[Radial:](#)

[R280505000](#)