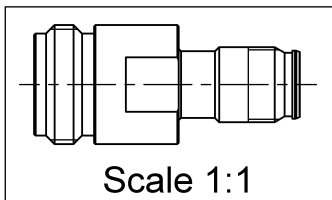
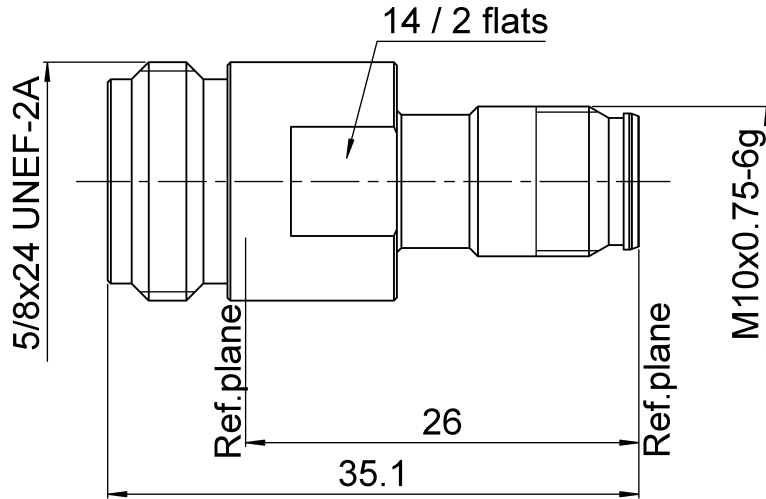
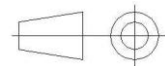
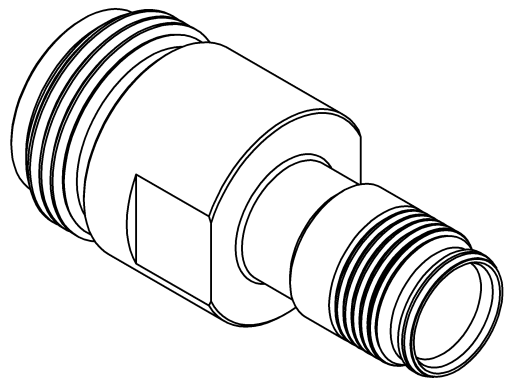


PAGE 1/2	ISSUE 05-12-16A	SERIES ADAPTER	PART NUMBER R191620027
----------	-----------------	-------------------	------------------------



All dimensions are in mm.



COMPONENTS	MATERIALS	PLATING (µm)
Body	<b>BRASS</b>	<b>BBR</b>
Center contact	<b>BERYLLIUM COPPER</b>	<b>SILVER</b>
Outer contact		
Insulator	<b>PTFE</b>	
Gasket		
Others parts		
-	-	-
-	-	-

PAGE <b>2/2</b>	ISSUE <b>05-12-16A</b>	SERIES <b>ADAPTER</b>	<b>PART NUMBER R191620027</b>
-----------------	------------------------	--------------------------	-------------------------------

PACKAGING

Standard	Unit	Other
<b>1</b>	<b>Contact us</b>	<b>Contact us</b>

ELECTRICAL CHARACTERISTICS

Impedance		<b>50</b>		Ω
Frequency		<b>0-11</b>		GHz
VSWR	<b>1.02</b>	<b>+</b>	<b>0.0150</b>	x F(GHz) Maxi
Insertion loss			<b>0.05</b>	√F(GHz) dB Maxi
RF leakage		<b>- (</b>	<b>NA</b>	- F(GHz) dB Maxi
Voltage rating			<b>500</b>	Veff Maxi
Dielectric withstanding voltage			<b>1500</b>	Veff mini
Insulation resistance			<b>5000</b>	MΩ mini

ENVIRONMENTAL

Operating	<b>-55/+125</b>	°C
Hermetic seal	<b>NA</b>	Atm.cm3/s
Panel leakage	<b>NA</b>	

MECHANICAL CHARACTERISTICS

<u>Center contact retention</u>				
Axial force – Mating End		<b>27</b>		N mini
Axial force – Opposite end		<b>27</b>		N mini
Torque		<b>NA</b>		N.cm mini
<u>Recommended torque</u>				
Mating	<b>N</b>	<b>0</b>		N.cm
	<b>NEX10</b>	<b>0</b>		N.cm
		<b>0</b>		N.cm
Panel nut		<b>NA</b>		N.cm
Mating life		<b>100</b>		Cycles mini
Weight		<b>27.3700</b>		g

SPECIFICATION

OTHER CHARACTERISTICS

# Mouser Electronics

Authorized Distributor

Click to View Pricing, Inventory, Delivery & Lifecycle Information:

[Radial:](#)

[R191620027](#)