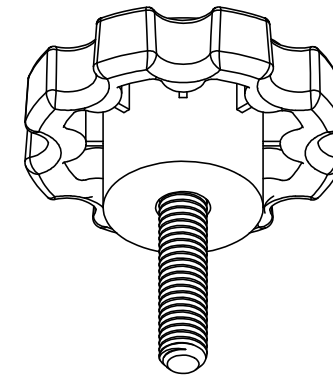
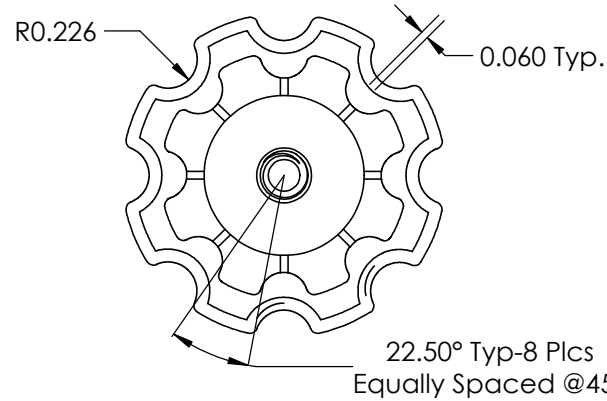
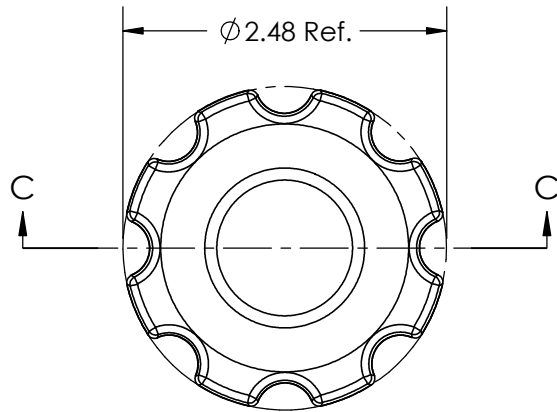


SECTION C-C
SCALE 1 : 1.5



| | | | | | | | | | |
|--|--|-------------------------------------|----|----------|--------------|---|-----------------|---|--|
| FOR CUSTOMER APPROVAL ONLY | | REV | BY | DATE | COMMENT | DIMENSIONS ARE IN INCHES TOLERANCES FRACTIONAL ± TWO PLACE DECIMAL ± 0.03 THREE PLACE DECIMAL ± 0.010 UNLESS OTHERWISE NOTED | DRAWN | VRR | |
| NAME: | | 0 | RL | 02/24/17 | RELEASE DATE | | APPROVED | LQR | |
| TITLE: | | | | | | | DATE | 02/27/2017 | PART NAME |
| DATE: | | | | | | | COMMENTS | Soft Touch Material Usage 0.0291 Pounds | 2.48 Fluted Soft Touch Knob, Solid Hub, 3/8-16 x 1.5" Steel Zinc Stud |
| SIGNATURE: | | PROPRIETARY AND CONFIDENTIAL | | | | MATERIAL | | RoSH Compliant | |
| THE INFORMATION CONTAINED IN THIS DRAWING IS THE SOLE PROPERTY OF INNOVATIVE COMPONENTS. ANY REPRODUCTION IN PART OR AS A WHOLE WITHOUT THE WRITTEN PERMISSION OF INNOVATIVE COMPONENTS IS PROHIBITED. | | | | | | FINISH | TPE-48 Shore A | INSERT MATERIAL | Steel |
| | | | | | | INNER PART NUMBER | Textured | INSERT FINISH | Tivalent Zinc |
| | | | | | | KN6C150016--S21 | | | |
| | | | | | | PART NUMBER | KN6C1500F7S-S21 | DRAWING NUMBER | 02-29-17 R0 |
| | | | | | | SCALE : | | SHEET 1 OF 1 | |



PLASTIC KNOBS / CONTROL KNOBS / HANDLES / QUICK RELEASE PINS & BALL LOCK PINS
 SPRING LOADED PINS & PLUNGERS / WIRE ROPE LANYARDS / THREAD IDENTIFIERS