

# SACC-M 8MR-3CON-M - Connector



1699902

<https://www.phoenixcontact.com/us/products/1699902>

Please be informed that the data shown in this PDF document is generated from our online catalog. Please find the complete data in the user documentation. Our general terms of use for downloads are valid.

Connector, Universal, 3-position, Plug angled M8, coding: A, Solder connection, knurl material: Brass, nickel-plated, external cable diameter 3.5 mm ... 5 mm



## Your advantages

- Safe use in the field, thanks to a high degree of protection

## Commercial data

Item number	1699902
Packing unit	1 pc
Minimum order quantity	1 pc
Sales key	BF35
Product key	BF2BIA
Catalog page	Page 18 (C-2-2019)
GTIN	4017918574031
Weight per piece (including packing)	10.43 g
Weight per piece (excluding packing)	9.2 g
Customs tariff number	85366990
Country of origin	DE

# SACC-M 8MR-3CON-M - Connector



1699902

<https://www.phoenixcontact.com/us/products/1699902>

## Technical data

### Notes

General	<b>NOTE:</b> Observe the permissible bending radii when laying conductors, since the degree of protection may be put in jeopardy if the bending forces are too high. Alleviate mechanical loads upstream of the connector, e.g. by using cable ties.
---------	--

### Mounting

Assembly instructions	The connector pin assignment can be rotated 90° to the cable outlet
Connection method	Solder connection

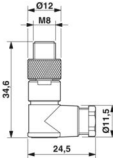
### Product properties

Product type	Circular connector (cable-side)
Sensor type	Universal
Number of positions	3
No. of cable outlets	1
Shielded	no
Coding	A
Cable outlet	angled

### Insulation characteristics

Overvoltage category	II
Degree of pollution	3

### Dimensions

Dimensional drawing	
Length	34.6 mm

### External dimensions

Outside diameter	3.5 mm ... 5 mm
------------------	-----------------

### Housing

Diameter housing	12 mm
------------------	-------

### Material specifications

Flammability rating according to UL 94	HB
Seal material	NBR
Material of grip body	PBT
Contact material	CuZn

# SACC-M 8MR-3CON-M - Connector



1699902

<https://www.phoenixcontact.com/us/products/1699902>

Contact surface material	Au
Contact carrier material	PA
Material for screw connection	Brass, nickel-plated

## Connection data

### Conductor connection

Connection method	Solder connection
Connection cross section	0.08 mm <sup>2</sup> ... 0.25 mm <sup>2</sup> (flexible)
	0.08 mm <sup>2</sup> ... 0.25 mm <sup>2</sup> (solid)
Connection cross section AWG	28 ... 24 (flexible)
	28 ... 24 (solid)
Stripping length of the individual wire	3 mm
Tightening torque	0.2 Nm (M8 knurl)

## Electrical properties

Rated surge voltage	0.8 kV
Contact resistance	≤ 3 mΩ
Insulation resistance	≥ 100 MΩ
Nominal voltage U <sub>N</sub>	48 V AC
	60 V DC
Nominal current I <sub>N</sub>	4 A

## Mechanical properties

### Mechanical data

Insertion/withdrawal cycles	≥ 100
-----------------------------	-------

## Connector

### Connection 1

Head design	Plug
Head cable outlet	angled
Head thread type	M8
Coding	A

## Cable/line

Signal type/category	Universal
Stripping length of the individual wire	3 mm

## Environmental and real-life conditions

### Ambient conditions

Degree of protection	IP67
Ambient temperature (operation)	-40 °C ... 85 °C

## Standards and regulations

# SACC-M 8MR-3CON-M - Connector



1699902

<https://www.phoenixcontact.com/us/products/1699902>

M8

Standard designation	M8 connector
Standards/specifications	IEC 61076-2-104

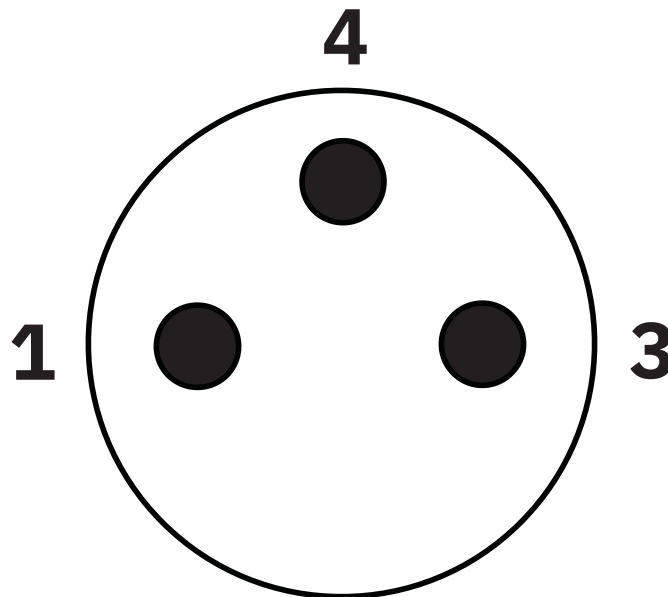
# SACC-M 8MR-3CON-M - Connector

1699902

<https://www.phoenixcontact.com/us/products/1699902>

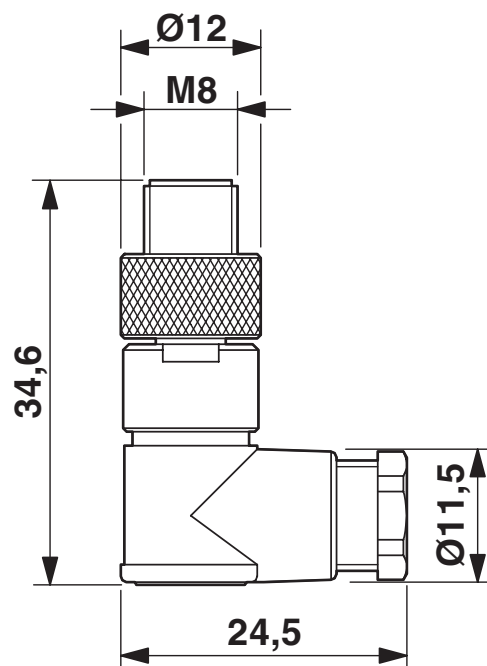
## Drawings

Schematic diagram



Pin assignment M8 male connector, 3-pos.

Dimensional drawing



M8 x 1 male plug, angled version

# SACC-M 8MR-3CON-M - Connector




1699902

<https://www.phoenixcontact.com/us/products/1699902>

## Approvals

To download certificates, visit the product detail page: <https://www.phoenixcontact.com/us/products/1699902>

 <b>UL Listed</b> Approval ID: FILE E 221474				
	Nominal voltage $U_N$	Nominal current $I_N$	Cross section AWG	Cross section $\text{mm}^2$
	60 V	4 A	-	-

 <b>cUL Listed</b> Approval ID: FILE E 221474				
	Nominal voltage $U_N$	Nominal current $I_N$	Cross section AWG	Cross section $\text{mm}^2$
	60 V	4 A	-	-

<b>cULus Listed</b>				
---------------------	--	--	--	--

# SACC-M 8MR-3CON-M - Connector



1699902

<https://www.phoenixcontact.com/us/products/1699902>

## Classifications

### ECLASS

ECLASS-11.0	27440102
ECLASS-12.0	27440116
ECLASS-13.0	27440116

### ETIM

ETIM 9.0	EC002635
----------	----------

### UNSPSC

UNSPSC 21.0	39121400
-------------	----------

# SACC-M 8MR-3CON-M - Connector



1699902

<https://www.phoenixcontact.com/us/products/1699902>

## Environmental product compliance

REACH SVHC	Lead 7439-92-1
China RoHS	Environmentally Friendly Use Period = 50 years
	For information on hazardous substances, refer to the manufacturer's declaration available under "Downloads"



# SACC-M 8MR-3CON-M - Connector

1699902

<https://www.phoenixcontact.com/us/products/1699902>

## Accessories

### SACC-M 8-SET/2,2-3,5 - Connector

1436945

<https://www.phoenixcontact.com/us/products/1436945>



Sensor/actuator connector, accessories, pressure screw and seal, for unshielded M8 connector, cable diameter 2.2 mm - 3.5 mm

---

### PROT-M 8 FS-PA-CHAIN - Sealing cap

1430857

<https://www.phoenixcontact.com/us/products/1430857>



M8 sealing cap made of plastic with fixing band for sensor cables, for M8 plugs

# SACC-M 8MR-3CON-M - Connector

1699902

<https://www.phoenixcontact.com/us/products/1699902>



## SAC-3P-100,0-PUR/0,25 - Cable reel

1501689

<https://www.phoenixcontact.com/us/products/1501689>



By the meter, Cable reel, PUR halogen-free, black-gray RAL 7021, 3-wire, color single wire: brown, blue, black, cable length: 100 m

---

## TSD 02 SAC - Torque screwdriver

1208487

<https://www.phoenixcontact.com/us/products/1208487>



Torque screwdriver, with preset torque of 0.2 Nm and 4 mm hexagonal drive for M8 connectors

# SACC-M 8MR-3CON-M - Connector



1699902

<https://www.phoenixcontact.com/us/products/1699902>

## SACC BIT M8-D12 - Tool

1208474

<https://www.phoenixcontact.com/us/products/1208474>



Nut for assembling M8 connectors with longitudinal knurl and a knurl diameter of 12 mm, for 4 mm hexagonal drive

---

## TSD-M 1,2NM - Torque screwdriver

1212224

<https://www.phoenixcontact.com/us/products/1212224>



Torque screw driver, accuracy as per EN ISO 6789 standard, adjustable from 0.3 - 1.2 Nm

# SACC-M 8MR-3CON-M - Connector

1699902

<https://www.phoenixcontact.com/us/products/1699902>



## TSD-M SAC-BIT ADAPTER - Adapter insert

1212600

<https://www.phoenixcontact.com/us/products/1212600>



Adapter bit for TSD-M...torque tools, E6.3-1/4" drive with 4 mm hexagon to accommodate SAC bits

---

Phoenix Contact 2024 © - all rights reserved

<https://www.phoenixcontact.com>

Phoenix Contact USA  
586 Fulling Mill Road  
Middletown, PA 17057, United States  
(+717) 944-1300  
[info@phoenixcon.com](mailto:info@phoenixcon.com)