

SACC-DSI-M 8MS-3CON-L180 - Device connector, rear mounting



1694334

<https://www.phoenixcontact.com/us/products/1694334>

Please be informed that the data shown in this PDF document is generated from our online catalog. Please find the complete data in the user documentation. Our general terms of use for downloads are valid.



Device connector, rear mounting, Universal, 3-position, Pin, straight, M8, Rear mounting, M8 x 1, Wave soldering

Your advantages

- Easy PCB assembly: one-piece connectors for wave soldering
- Standard pin assignments and codings for signal transmission with a uniform design-in design
- For high transmission reliability: optional shield connection to the housing and latching on the PCB

Commercial data

| | |
|--------------------------------------|---------------------|
| Item number | 1694334 |
| Packing unit | 20 pc |
| Minimum order quantity | 20 pc |
| Sales key | AB22 |
| Product key | ABQJAA |
| Catalog page | Page 226 (C-2-2013) |
| GTIN | 4017918178697 |
| Weight per piece (including packing) | 5.88 g |
| Weight per piece (excluding packing) | 5.88 g |
| Customs tariff number | 85366990 |
| Country of origin | DE |

SACC-DSI-M 8MS-3CON-L180 - Device connector, rear mounting



1694334

<https://www.phoenixcontact.com/us/products/1694334>

Technical data

Mounting

| | |
|-----------------------|---------------------------------------|
| Mounting type | Rear mounting M8 x 1 With locking nut |
| Assembly instructions | With locking nut |
| Connection method | Wave soldering |

Product properties

| | |
|---------------------|-----------------------------------|
| Product type | Circular connectors (device side) |
| Sensor type | Universal |
| Number of positions | 3 |
| Shielded | no |
| Coding | A |
| Thread type | M8 |

Insulation characteristics

| | |
|----------------------|----|
| Overvoltage category | II |
| Degree of pollution | 3 |

Material specifications

| | |
|--|----------------------|
| Flammability rating according to UL 94 | HB |
| Seal material | NBR |
| Contact material | CuZn |
| Contact surface material | Au |
| Contact carrier material | PA 6.6 |
| Material for screw connection | Brass, nickel-plated |

Electrical properties

| | |
|-----------------------|----------------------------|
| Rated surge voltage | 1.5 kV |
| Contact resistance | $\leq 3 \text{ m}\Omega$ |
| Insulation resistance | $\geq 100 \text{ M}\Omega$ |
| Nominal voltage U_N | 48 V AC |
| | 60 V DC |
| Nominal current I_N | 4 A |

Connection data

Conductor connection

| | |
|-------------------------|-------------------------------------|
| Connection method | Wave soldering |
| Contact connection type | Pin |
| Tightening torque | 1 Nm ... 1.5 Nm (Installation-side) |

Connector

SACC-DSI-M 8MS-3CON-L180 - Device connector, rear mounting



1694334

<https://www.phoenixcontact.com/us/products/1694334>

Connection 1

| | |
|-------------------|----------|
| Head design | Pin |
| Head cable outlet | straight |
| Head thread type | M8 |

Cable/line

| | |
|----------------------|-----------|
| Signal type/category | Universal |
|----------------------|-----------|

Environmental and real-life conditions

Ambient conditions

| | |
|---------------------------------|------------------|
| Degree of protection | IP67 |
| | IP67 |
| Ambient temperature (operation) | -40 °C ... 85 °C |

Standards and regulations

M8

| | |
|--------------------------|-----------------|
| Standard designation | M8 connector |
| Standards/specifications | IEC 61076-2-104 |

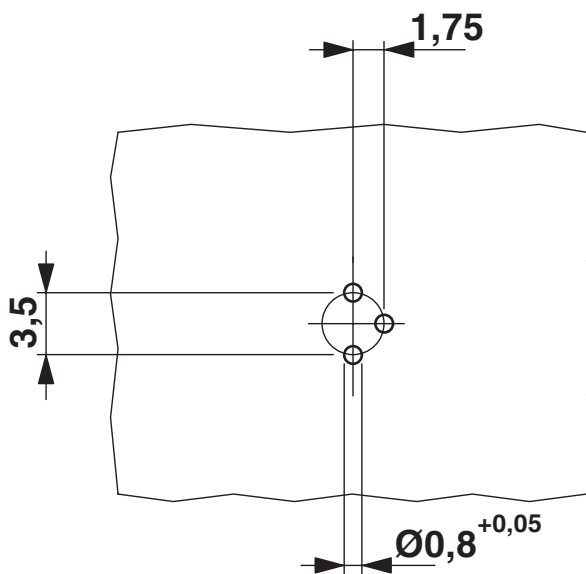
SACC-DSI-M 8MS-3CON-L180 - Device connector, rear mounting

1694334

<https://www.phoenixcontact.com/us/products/1694334>

Drawings

Drilling plan/solder pad geometry



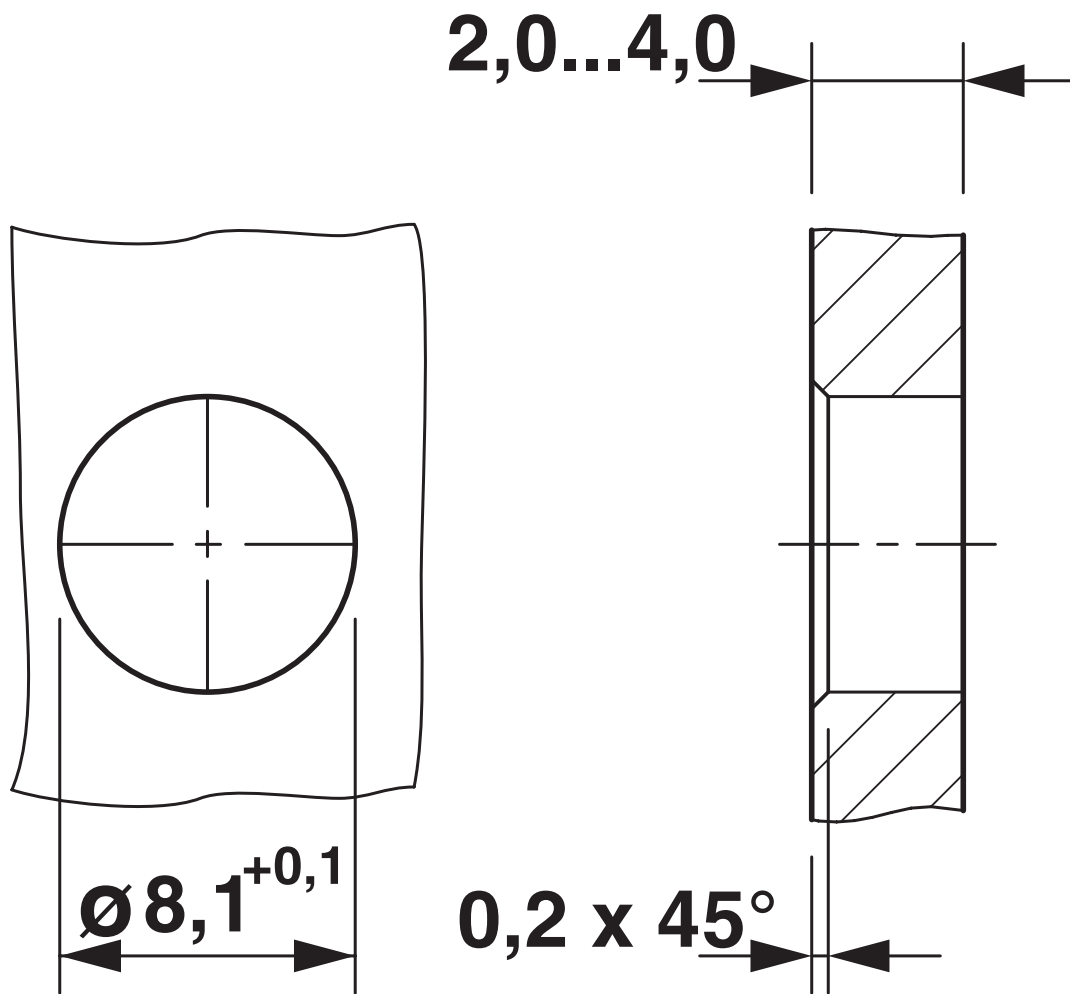
Drilling diagram

SACC-DSI-M 8MS-3CON-L180 - Device connector,
rear mounting

1694334

<https://www.phoenixcontact.com/us/products/1694334>

Dimensional drawing

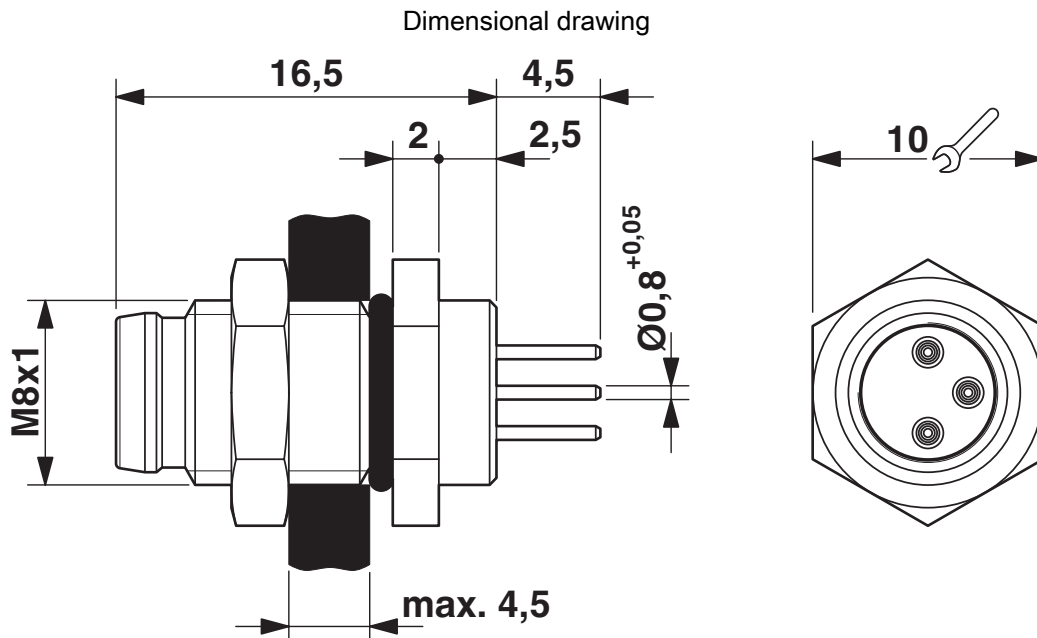


Housing cutout for M8 flush-type connector, connector, one-section

SACC-DSI-M 8MS-3CON-L180 - Device connector, rear mounting

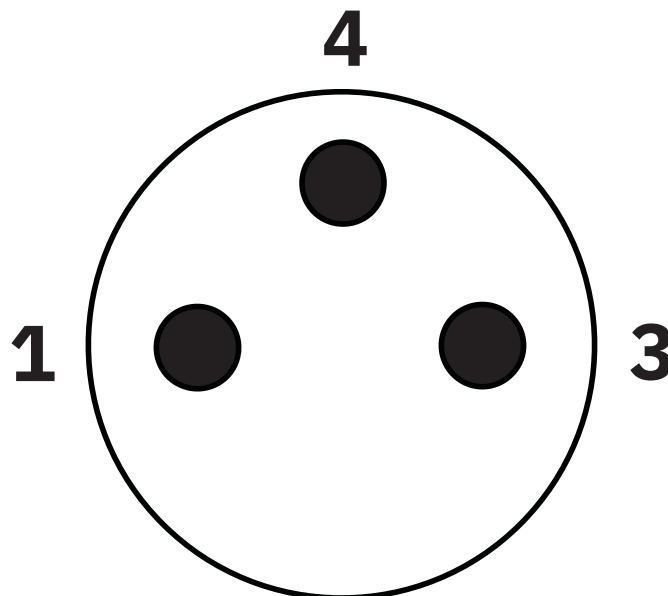
1694334

<https://www.phoenixcontact.com/us/products/1694334>



Dimensional drawing

Schematic diagram



Pin assignment M8 plug, 3-pos., view male side

SACC-DSI-M 8MS-3CON-L180 - Device connector, rear mounting





1694334

<https://www.phoenixcontact.com/us/products/1694334>

Approvals

To download certificates, visit the product detail page: <https://www.phoenixcontact.com/us/products/1694334>

|  cUL Recognized Approval ID: FILE E 221474 | | | | |
|---|-----------------------|-----------------------|-------------------|-----------------------------|
| | Nominal voltage U_N | Nominal current I_N | Cross section AWG | Cross section mm^2 |
| | 30 V | 4 A | - | - |

|  UL Recognized Approval ID: FILE E 221474 | | | | |
|--|-----------------------|-----------------------|-------------------|-----------------------------|
| | Nominal voltage U_N | Nominal current I_N | Cross section AWG | Cross section mm^2 |
| | 30 V | 4 A | - | - |

cULus Recognized

SACC-DSI-M 8MS-3CON-L180 - Device connector, rear mounting



1694334

<https://www.phoenixcontact.com/us/products/1694334>

Classifications

ECLASS

| | |
|-------------|----------|
| ECLASS-11.0 | 27440102 |
| ECLASS-12.0 | 27440116 |
| ECLASS-13.0 | 27440116 |

ETIM

| | |
|----------|----------|
| ETIM 9.0 | EC002635 |
|----------|----------|

UNSPSC

| | |
|-------------|----------|
| UNSPSC 21.0 | 39121400 |
|-------------|----------|

SACC-DSI-M 8MS-3CON-L180 - Device connector, rear mounting



1694334

<https://www.phoenixcontact.com/us/products/1694334>

Environmental product compliance

| | |
|------------|--|
| REACH SVHC | Lead 7439-92-1 |
| China RoHS | Environmentally Friendly Use Period = 50 years |
| | For information on hazardous substances, refer to the manufacturer's declaration available under "Downloads" |

Phoenix Contact 2024 © - all rights reserved
<https://www.phoenixcontact.com>

Phoenix Contact USA
586 Fulling Mill Road
Middletown, PA 17057, United States
(+717) 944-1300
info@phoenixcon.com