

# VS-08-A-RJ45/MOD-1-IP67-BK - Panel mounting frames



1658642

<https://www.phoenixcontact.com/us/products/1658642>

Please be informed that the data shown in this PDF document is generated from our online catalog. Please find the complete data in the user documentation. Our general terms of use for downloads are valid.



RJ45 panel mounting frame, IP67, for modular socket inserts (Keystone), for square panel cutout, with grommet, without mounting screws, color: black

## Commercial data

Item number	1658642
Packing unit	5 pc
Minimum order quantity	5 pc
Sales key	AB17
Product key	ABNNDB
Catalog page	Page 351 (C-2-2019)
GTIN	4046356163187
Weight per piece (including packing)	7.1 g
Weight per piece (excluding packing)	6.39 g
Customs tariff number	85366990
Country of origin	DE

# VS-08-A-RJ45/MOD-1-IP67-BK - Panel mounting frames

1658642

<https://www.phoenixcontact.com/us/products/1658642>

## Technical data

### Product properties

Type	Version 6
Product type	Panel mounting frame
Number of positions	8
Connection profile	RJ45
Application	Modular insert
Number of slots	1
Type	RJ45

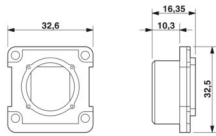
### Insulation characteristics

Degree of pollution	2
---------------------	---

### Electrical properties

Transmission medium	Copper
---------------------	--------

### Dimensions

Dimensional drawing	
Width	32.6 mm
Height	32.6 mm
Depth	16 mm
Length	16.3 mm

### Material specifications

Color	black
Material	Plastic
Flammability rating according to UL 94	V0
Seal material	NBR
Seal material, flat gasket	NBR
Housing surface material	PA, light gray
Contact surface material	Au/Ni
Contact carrier material	Polyester GF
Housing material	Plastic

### Mechanical properties

#### Mechanical data

Insertion/withdrawal cycles	≥ 1000
-----------------------------	--------

### Environmental and real-life conditions

# VS-08-A-RJ45/MOD-1-IP67-BK - Panel mounting frames



1658642

<https://www.phoenixcontact.com/us/products/1658642>

## Ambient conditions

Degree of protection	IP65/IP67
Ambient temperature (operation)	-40 °C ... 80 °C

## Mounting

Mounting type	Front mounting
---------------	----------------

# VS-08-A-RJ45/MOD-1-IP67-BK - Panel mounting frames

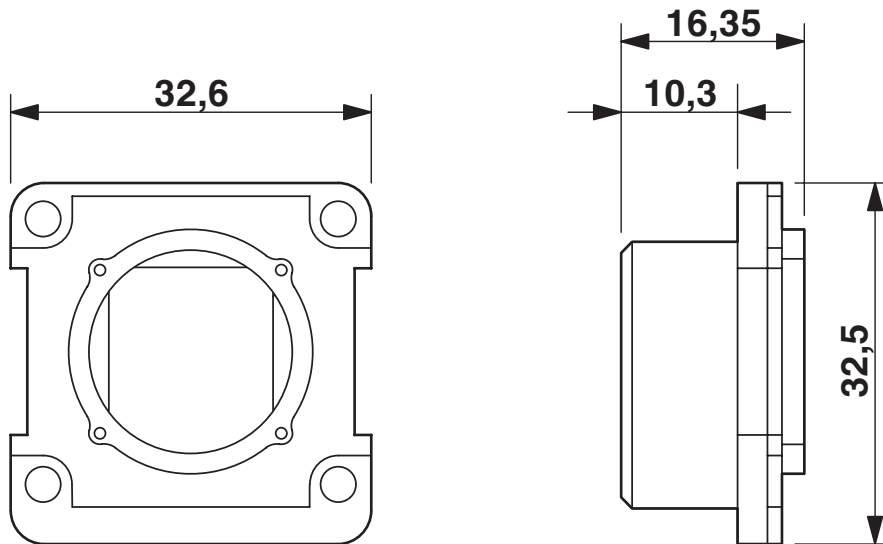


1658642

<https://www.phoenixcontact.com/us/products/1658642>

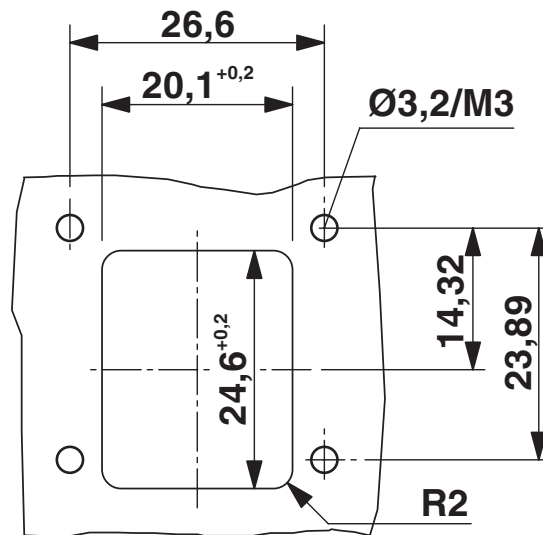
## Drawings

Dimensional drawing



RJ45 panel mounting frame, IP67

Dimensional drawing



Mounting cutout

# VS-08-A-RJ45/MOD-1-IP67-BK - Panel mounting frames



1658642

<https://www.phoenixcontact.com/us/products/1658642>

## Classifications

### ECLASS

ECLASS-11.0	27440210
ECLASS-12.0	27440210
ECLASS-13.0	27440210

### ETIM

ETIM 9.0	EC002310
----------	----------

### UNSPSC

UNSPSC 21.0	39121400
-------------	----------

# VS-08-A-RJ45/MOD-1-IP67-BK - Panel mounting frames



1658642

<https://www.phoenixcontact.com/us/products/1658642>

## Environmental product compliance

China RoHS	Environmentally friendly use period: unlimited = EFUP-e
	No hazardous substances above threshold values

# VS-08-A-RJ45/MOD-1-IP67-BK - Panel mounting frames



1658642

<https://www.phoenixcontact.com/us/products/1658642>

## Accessories

### VS-08-SD-F-BK - Protective cover

1658066

<https://www.phoenixcontact.com/us/products/1658066>

Protective cover, IP67, flat design, to cover the contact insert in the panel mounting frame, color: black



---

### CUC-K-D1ZNI-S/R4GCHP8 - RJ45 coupling

1086108

<https://www.phoenixcontact.com/us/products/1086108>

RJ45 coupling, degree of protection: IP20, number of positions: 8, 10 Gbps, CAT6<sub>A</sub>, material: Metal, connection method: Coupling, cable outlet: straight, Keystone design for use with IP20 and IP67 panel mounting frame or integrated directly into the housing panel, Ethernet



# VS-08-A-RJ45/MOD-1-IP67-BK - Panel mounting frames



1658642

<https://www.phoenixcontact.com/us/products/1658642>

## VS-08-BU-RJ45/BU - RJ45 coupling

1689064

<https://www.phoenixcontact.com/us/products/1689064>



RJ45 coupling, degree of protection: IP20, number of positions: 8, 1 Gbps, CAT5, material: Plastic, connection method: Coupling, Keystone, Ethernet

---

## VS-08-BU-RJ45-6/KA/LSA - RJ45 jack insert

1653168

<https://www.phoenixcontact.com/us/products/1653168>



RJ45 socket insert, modular (Keystone), CAT6, 8-pos., shielded, with cable connection (LSA), for litz and solid wires AWG 26 ... 22



# VS-08-A-RJ45/MOD-1-IP67-BK - Panel mounting frames



1658642

<https://www.phoenixcontact.com/us/products/1658642>

## VS-RJ11-BU-MOD/BU - Coupler connector

1656356

<https://www.phoenixcontact.com/us/products/1656356>



Socket insert RJ11, modular system (Keystone), 6-pos., unshielded

---

## VS-08-BU-RJ45/KA/LSA - RJ45 jack insert

1689459

<https://www.phoenixcontact.com/us/products/1689459>



RJ45 socket insert, modular (Keystone), CAT5e, 8-pos., shielded, with cable connection (LSA), for solid wires AWG 26 ... 22

---

Phoenix Contact 2024 © - all rights reserved  
<https://www.phoenixcontact.com>

Phoenix Contact USA  
586 Fulling Mill Road  
Middletown, PA 17057, United States  
(+717) 944-1300  
[info@phoenixcon.com](mailto:info@phoenixcon.com)