

HC-D 40-I-CT-F - Contact insert



1584428

<https://www.phoenixcontact.com/us/products/1584428>

Please be informed that the data shown in this PDF document is generated from our online catalog. Please find the complete data in the user documentation. Our general terms of use for downloads are valid.



Contact insert, number of positions: 40+PE, size: B16, number of connections per position: 1, Socket, Crimp connection, 250 V, 10 A, 0.14 mm² ... 2.5 mm², application: Signal

Your advantages

- Can be used in rail vehicles, satisfy DIN EN 45545-2 with requirement sets R22, R23, and R24 in hazard levels HL1, HL2, and HL3.
- For fast coding with plastic profile (Order No. 1410916, type CP-HC-S)

Commercial data

Item number	1584428
Packing unit	1 pc
Minimum order quantity	1 pc
Sales key	BF61
Product key	BF7ABE
Catalog page	Page 535 (C-2-2019)
GTIN	4046356142687
Weight per piece (including packing)	60 g
Weight per piece (excluding packing)	57.7 g
Customs tariff number	85389099
Country of origin	CN

HC-D 40-I-CT-F - Contact insert



1584428

<https://www.phoenixcontact.com/us/products/1584428>

Technical data

Notes

General	For HEAVYCON ADVANCE and HEAVYCON housing of type B16, crimp contacts: CK 1,6-ED... (not included in scope of supply)
General	Connectors may be operated only when there is no load/voltage.
General	It is imperative that guide pins (HC-CST) and sockets (HC-CBU) are used to prevent tip collision due to misalignment.
General	This product replaces 1679537 HC-D 40-EBUC-R

Mounting

Assembly instructions	To ensure correct use, installation in housing with IP54 protection or better is required
-----------------------	---

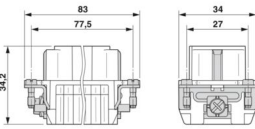
Product properties

Type	B16 B32
Product type	Contact insert with a fixed no. of positions
Number of positions	40
Note number of positions	40+PE
Connection profile	40+PE
Application	Signal
Number of connections per position	1
Contact material type	turned rolled
Series	HC-D

Insulation characteristics

Overvoltage category	III
Degree of pollution	3

Dimensions

Dimensional drawing	
Width	34 mm
Height	36 mm
Length	83 mm
Drill hole distance, horizontal	77.5 mm

Mechanical characteristics

Contact diameter	1.6 mm
------------------	--------

HC-D 40-I-CT-F - Contact insert



1584428

<https://www.phoenixcontact.com/us/products/1584428>

Connection data

Connection technology

Connection technology	Crimp connection
Number of connections per position	1
Connection in acc. with standard	IEC / EN

Conductor connection

Conductor cross section	0.14 mm ² ... 2.5 mm ²
Connection cross section AWG	26 ... 14
Tightening torque	0.8 Nm ... 1.2 Nm (PE connection) 0.5 Nm ... 0.8 Nm (Mounting screws for mounting in the HEAVYCON housing)
Stripping length of the individual wire	8 mm (0.14 mm ² ... 1.5 mm ²)
	6 mm (2.5 mm ²)

Electrical properties

Rated voltage (III/3)	250 V
Rated surge voltage	4 kV
Rated current	10 A
SCCR	5 kA (UL 2237)

Mechanical properties

Mechanical data

Insertion/withdrawal cycles	≥ 500
-----------------------------	-------

Material specifications

Flammability rating according to UL 94	V0
Contact material	Copper alloy
Contact surface material	Ag (alternatively Au)
Contact carrier material	PC
Standards/regulations	PC: Fire protection in rail vehicles - requirement sets R22, R23, and R24 acc. to DIN EN 45545-2 (Risk level HL1 - HL3)

Environmental and real-life conditions

Ambient conditions

Ambient temperature (operation)	-40 °C ... 125 °C (including heating up of contacts)
---------------------------------	--

Standards and regulations

Constructional and testing regulations	DIN VDE 0627/86
	DIN VDE 0110/02.79
	DIN VDE 0110-1/04.97
	IEC 60664-1, DIN IEC 60512
	IEC 60352

HC-D 40-I-CT-F - Contact insert



1584428

<https://www.phoenixcontact.com/us/products/1584428>

Testing	
Tests	DIN VDE 0627/86
	DIN VDE 0110/02.79
	DIN VDE 0110-1/04.97
	IEC 60664-1, DIN IEC 60512
	IEC 60352
Standards/regulations	PC: Fire protection in rail vehicles - requirement sets R22, R23, and R24 acc. to DIN EN 45545-2 (Risk level HL1 - HL3)

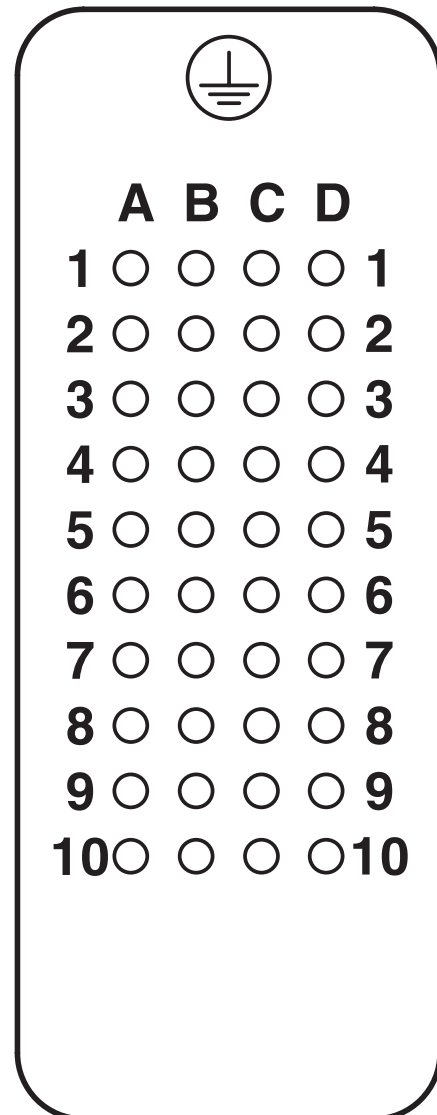
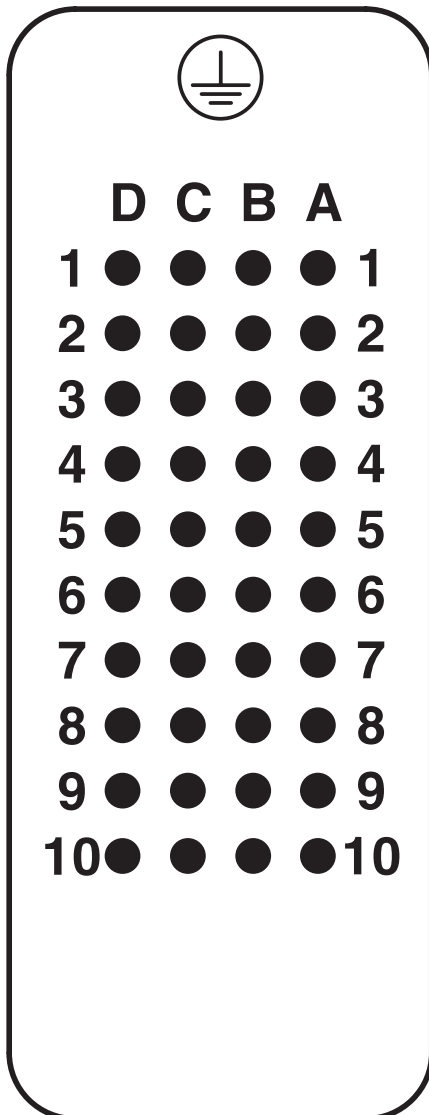
HC-D 40-I-CT-F - Contact insert

1584428

<https://www.phoenixcontact.com/us/products/1584428>

Drawings

Schematic diagram



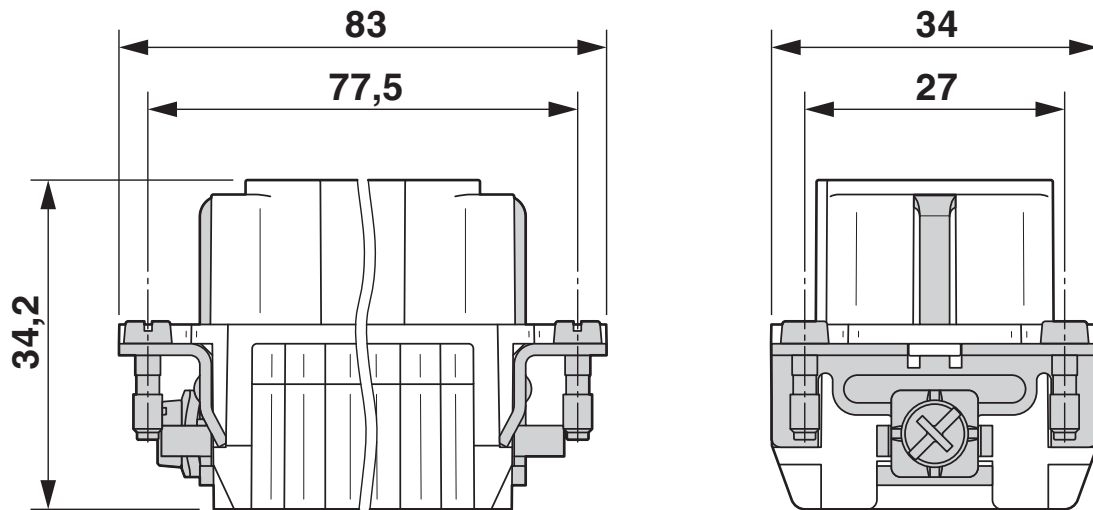
Connector pin assignment connection side: Left pin; right socket

HC-D 40-I-CT-F - Contact insert

1584428

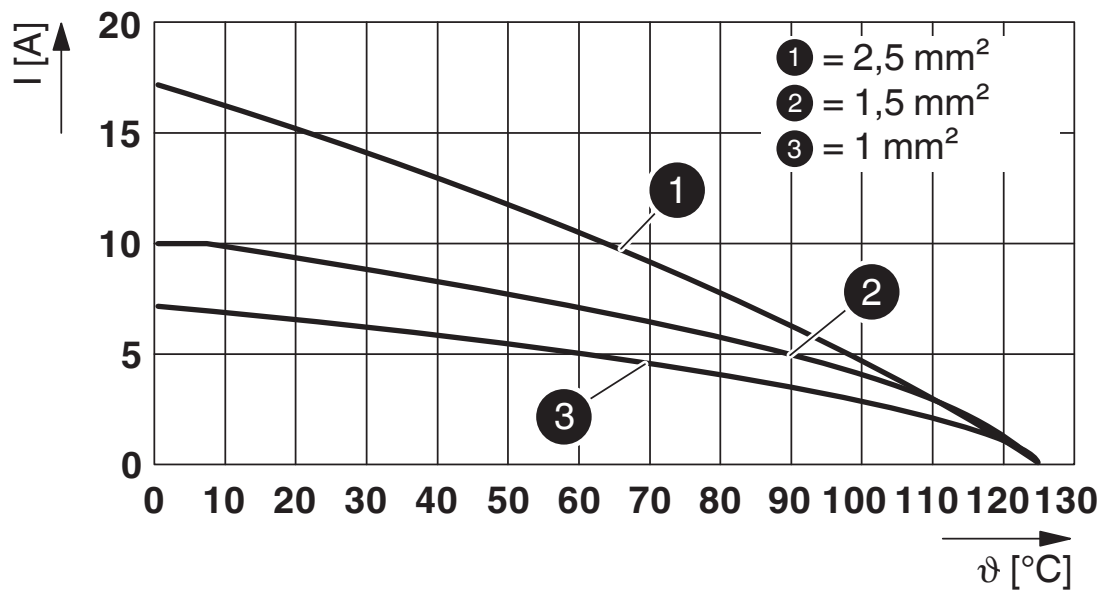
<https://www.phoenixcontact.com/us/products/1584428>

Dimensional drawing



Female insert

Diagram



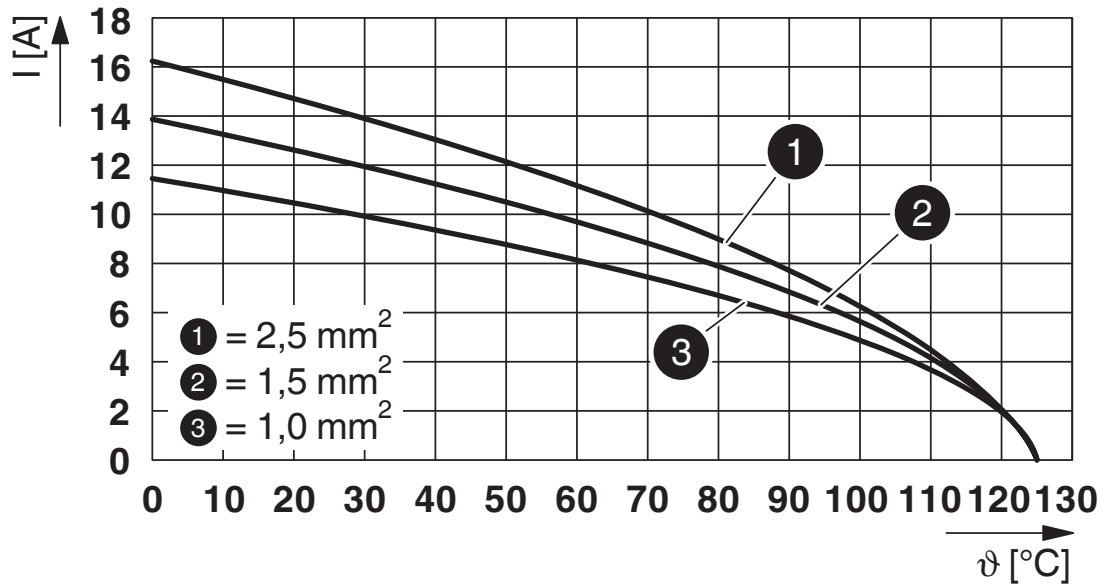
Derating diagram rolled contacts

HC-D 40-I-CT-F - Contact insert

1584428

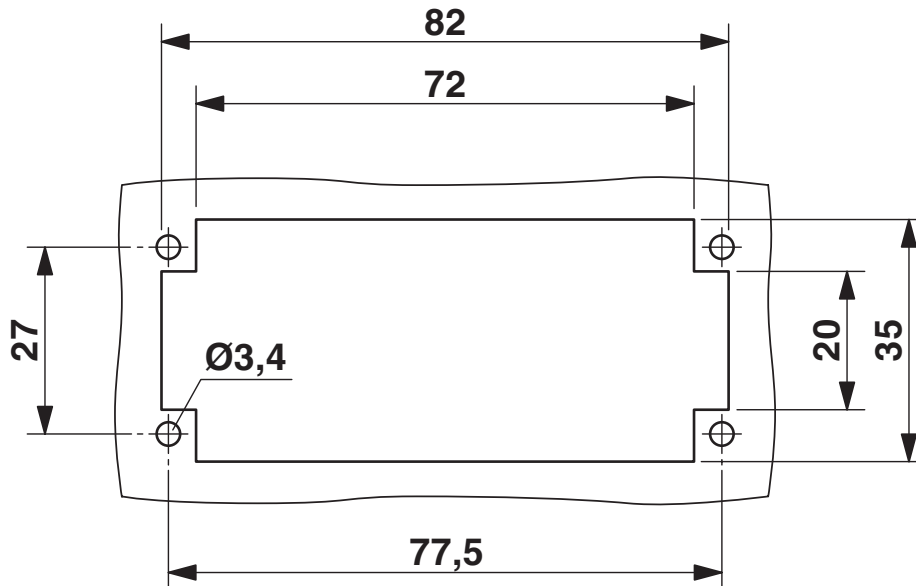
<https://www.phoenixcontact.com/us/products/1584428>

Diagram



Derating diagram turned contacts

Dimensional drawing



Mounting cutout when used without housing

HC-D 40-I-CT-F - Contact insert



1584428

<https://www.phoenixcontact.com/us/products/1584428>

Approvals

To download certificates, visit the product detail page: <https://www.phoenixcontact.com/us/products/1584428>

DNV

Approval ID: TAE000037S



CSA

Approval ID: 13631

Nominal voltage U_N	Nominal current I_N	Cross section AWG	Cross section mm^2
600 V	7 A	- 14	-



UL Recognized

Approval ID: FILE E 118976

Nominal voltage U_N	Nominal current I_N	Cross section AWG	Cross section mm^2
600 V	10 A	-	-



EAC

Approval ID: RU C-DE.BL08.B.00511



UL Recognized

Approval ID: E468743

Nominal voltage U_N	Nominal current I_N	Cross section AWG	Cross section mm^2
600 V	10 A	-	-

HC-D 40-I-CT-F - Contact insert



1584428

<https://www.phoenixcontact.com/us/products/1584428>

Classifications

ECLASS

ECLASS-11.0	27440205
ECLASS-12.0	27440205
ECLASS-13.0	27440205

ETIM

ETIM 9.0	EC000438
----------	----------

UNSPSC

UNSPSC 21.0	39121500
-------------	----------

HC-D 40-I-CT-F - Contact insert



1584428

<https://www.phoenixcontact.com/us/products/1584428>

Environmental product compliance

China RoHS	Environmentally friendly use period: unlimited = EFUP-e
	No hazardous substances above threshold values

HC-D 40-I-CT-F - Contact insert

1584428

<https://www.phoenixcontact.com/us/products/1584428>



Accessories

HC-CP-CK1.6-PL - Coding element

1095422

<https://www.phoenixcontact.com/us/products/1095422>

Coding element for HC-D and HC-DD contact inserts with pole loss. Installed in the socket contact chamber.



HC-CB - Coding bolt

1772722

<https://www.phoenixcontact.com/us/products/1772722>

Coding pin, prevents mismatching of up to six connectors with an identical number of positions



HC-D 40-I-CT-F - Contact insert

1584428

<https://www.phoenixcontact.com/us/products/1584428>



HC-CST - Coding element

1676857

<https://www.phoenixcontact.com/us/products/1676857>



Coding peg for coding up to 16 connectors

HC-CBU - Coding element

1676860

<https://www.phoenixcontact.com/us/products/1676860>



Coding socket for coding up to 16 connectors

HC-D 40-I-CT-F - Contact insert

1584428

<https://www.phoenixcontact.com/us/products/1584428>



HC-B-PE-PT - Adapter

1054672

<https://www.phoenixcontact.com/us/products/1054672>

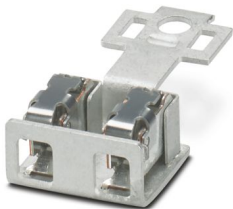


PE adapter with PT connection, for 1 PE connection, for HC-B / HC-BB / HC-DD / HC-D40 / HC-D64 contact inserts

HC-B-2PE-PT - PE multiplier

1054675

<https://www.phoenixcontact.com/us/products/1054675>



PE adapter with PT connection, for 2 PE connections, for HC-B / HC-BB / HC-DD / HC-D40 / HC-D64 contact inserts

HC-D 40-I-CT-F - Contact insert

1584428

<https://www.phoenixcontact.com/us/products/1584428>



HC-B-3PE - PE multiplier

1644326

<https://www.phoenixcontact.com/us/products/1644326>

PE multiplier, for 3 PE connections, for HC-B / HC-BB / HC-DD / HC-D40 / HC-D64 contact inserts



HC-B-PES - Screw

1604997

<https://www.phoenixcontact.com/us/products/1604997>

PE screw, for contact inserts HC-B / HC-BB / HC-DD / HC-D40 / HC-D64



HC-D 40-I-CT-F - Contact insert

1584428

<https://www.phoenixcontact.com/us/products/1584428>



HC-B-ZG - Strain relief clamp

1685327

<https://www.phoenixcontact.com/us/products/1685327>



Strain relief clamps contact inserts of series: B-, BB-, D 40, D 64, DD and HV, straight cable exit

HC-B-ZS - Strain relief clamp

1685330

<https://www.phoenixcontact.com/us/products/1685330>



Strain relief clamps contact inserts of series: B-, BB-, D 40, D 64, DD and HV, lateral cable exit

HC-D 40-I-CT-F - Contact insert

1584428

<https://www.phoenixcontact.com/us/products/1584428>



HC-CIF-B16-HFWL-PL - DIN rail mounting frame

1424336

<https://www.phoenixcontact.com/us/products/1424336>

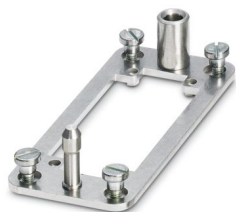


DIN rail mounting frame, design: B16, for contact inserts, Top frame

HC-B 16-ANDOCK - Docking frame

1586138

<https://www.phoenixcontact.com/us/products/1586138>



Docking frame for racks, for contact inserts of B16 type, with four M5 flat headed screws, rack balance x/y axis ± 1.5 mm

HC-D 40-I-CT-F - Contact insert

1584428

<https://www.phoenixcontact.com/us/products/1584428>



HC-CIF-B06-24-BFAFL-PL - DIN rail mounting frame

1424338

<https://www.phoenixcontact.com/us/products/1424338>

DIN rail mounting frame, design: B6 - B24, for contact inserts, Base frame



HC-B24/16-ADP-SS - Adapter plate

1034216

<https://www.phoenixcontact.com/us/products/1034216>

Adapter plate, design: B24 to B16



HC-D 40-I-CT-F - Contact insert

1584428

<https://www.phoenixcontact.com/us/products/1584428>



CK1,6-ED-0,37BU AG - Crimp contact

1663394

<https://www.phoenixcontact.com/us/products/1663394>



Crimp contact, contact diameter: 1.6 mm, turned, Socket, contact material: Copper alloy, contact surface: silver-plated, connection cross section: 0.14 mm² ... 0.37 mm², AWG 26 ... 22

CK1,6-ED-0,50BU AG - Crimp contact

1663404

<https://www.phoenixcontact.com/us/products/1663404>



Crimp contact, contact diameter: 1.6 mm, turned, Socket, contact material: Copper alloy, contact surface: silver-plated, connection cross section: 0.5 mm² ... 0.5 mm², AWG 20

HC-D 40-I-CT-F - Contact insert

1584428

<https://www.phoenixcontact.com/us/products/1584428>



CK1,6-ED-0,75BU AG - Crimp contact

1663417

<https://www.phoenixcontact.com/us/products/1663417>



Crimp contact, contact diameter: 1.6 mm, turned, Socket, contact material: Copper alloy, contact surface: silver-plated, connection cross section: 0.75 mm² ... 0.75 mm², AWG 18

CK1,6-ED-1,00BU AG - Crimp contact

1663420

<https://www.phoenixcontact.com/us/products/1663420>



Crimp contact, contact diameter: 1.6 mm, turned, Socket, contact material: Copper alloy, contact surface: silver-plated, connection cross section: 1 mm² ... 1 mm², AWG 18

HC-D 40-I-CT-F - Contact insert

1584428

<https://www.phoenixcontact.com/us/products/1584428>



CK1,6-ED-1,50BU AG - Crimp contact

1663433

<https://www.phoenixcontact.com/us/products/1663433>



Crimp contact, contact diameter: 1.6 mm, turned, Socket, contact material: Copper alloy, contact surface: silver-plated, connection cross section: 1.5 mm² ... 1.5 mm², AWG 16

CK1,6-ED-2,50BU AG - Crimp contact

1663446

<https://www.phoenixcontact.com/us/products/1663446>



Crimp contact, contact diameter: 1.6 mm, turned, Socket, contact material: Copper alloy, contact surface: silver-plated, connection cross section: 2.5 mm² ... 2.5 mm², AWG 14

HC-D 40-I-CT-F - Contact insert

1584428

<https://www.phoenixcontact.com/us/products/1584428>



CK1,6-ED-BU-POF - Female contact

1885004

<https://www.phoenixcontact.com/us/products/1885004>



POF fiber optic socket contact, turned, for contact carriers (HC-DD...I-CT.../ HC-M-12-CT-F.../ HC-M-17-CT-F...) of CK1,6-ED... contacts

CK1,6-ED-0,37F AG - Crimp contact

1266249

<https://www.phoenixcontact.com/us/products/1266249>



Crimp contact, contact diameter: 1.6 mm, turned, Socket, contact material: Copper alloy, lead-free, contact surface: silver-plated, connection cross section: 0.14 mm² ... 0.34 mm², AWG 24 ... 22

HC-D 40-I-CT-F - Contact insert

1584428

<https://www.phoenixcontact.com/us/products/1584428>



CK1,6-ED-0,50F AG - Crimp contact

1266252

<https://www.phoenixcontact.com/us/products/1266252>



Crimp contact, contact diameter: 1.6 mm, turned, Socket, contact material: Copper alloy, lead-free, contact surface: silver-plated, connection cross section: 0.5 mm² ... 0.5 mm², AWG 20

CK1,6-ED-0,75F AG - Crimp contact

1266259

<https://www.phoenixcontact.com/us/products/1266259>



Crimp contact, contact diameter: 1.6 mm, turned, Socket, contact material: Copper alloy, lead-free, contact surface: silver-plated, connection cross section: 0.75 mm² ... 0.75 mm², AWG 18

HC-D 40-I-CT-F - Contact insert

1584428

<https://www.phoenixcontact.com/us/products/1584428>



CK1,6-ED-1,00F AG - Crimp contact

1266296

<https://www.phoenixcontact.com/us/products/1266296>



Crimp contact, contact diameter: 1.6 mm, turned, Socket, contact material: Copper alloy, lead-free, contact surface: silver-plated, connection cross section: 1 mm² ... 1 mm², AWG 18

CK1,6-ED-1,50F AG - Crimp contact

1266263

<https://www.phoenixcontact.com/us/products/1266263>



Crimp contact, contact diameter: 1.6 mm, turned, Socket, contact material: Copper alloy, lead-free, contact surface: silver-plated, connection cross section: 1.5 mm² ... 1.5 mm², AWG 16

HC-D 40-I-CT-F - Contact insert

1584428

<https://www.phoenixcontact.com/us/products/1584428>



CK1,6-ED-2,50F AG - Crimp contact

1266295

<https://www.phoenixcontact.com/us/products/1266295>



Crimp contact, contact diameter: 1.6 mm, turned, Socket, contact material: Copper alloy, lead-free, contact surface: silver-plated, connection cross section: 2.5 mm² ... 2.5 mm², AWG 14

CK1,6-ED-0,37BU AU - Crimp contact

1674969

<https://www.phoenixcontact.com/us/products/1674969>



Crimp contact, contact diameter: 1.6 mm, turned, Socket, contact material: Copper alloy, contact surface: gold-plated, connection cross section: 0.14 mm² ... 0.37 mm², AWG 24 ... 22

HC-D 40-I-CT-F - Contact insert

1584428

<https://www.phoenixcontact.com/us/products/1584428>



CK1,6-ED-0,50BU AU - Crimp contact

1674480

<https://www.phoenixcontact.com/us/products/1674480>



Crimp contact, contact diameter: 1.6 mm, turned, Socket, contact material: Copper alloy, contact surface: gold-plated, connection cross section: 0.5 mm² ... 0.5 mm², AWG 20

CK1,6-ED-0,75BU AU - Crimp contact

1672440

<https://www.phoenixcontact.com/us/products/1672440>



Crimp contact, contact diameter: 1.6 mm, turned, Socket, contact material: Copper alloy, contact surface: gold-plated, connection cross section: 0.75 mm² ... 0.75 mm², AWG 18

HC-D 40-I-CT-F - Contact insert

1584428

<https://www.phoenixcontact.com/us/products/1584428>



CK1,6-ED-1,00BU AU - Crimp contact

1674943

<https://www.phoenixcontact.com/us/products/1674943>



Crimp contact, contact diameter: 1.6 mm, turned, Socket, contact material: Copper alloy, contact surface: gold-plated, connection cross section: 1 mm² ... 1 mm², AWG 18

CK1,6-ED-1,50BU AU - Crimp contact

1674930

<https://www.phoenixcontact.com/us/products/1674930>



Crimp contact, contact diameter: 1.6 mm, turned, Socket, contact material: Copper alloy, contact surface: gold-plated, connection cross section: 1.5 mm² ... 1.5 mm², AWG 16

HC-D 40-I-CT-F - Contact insert

1584428

<https://www.phoenixcontact.com/us/products/1584428>



CK1,6-ED-2,50BU AU - Crimp contact

1674985

<https://www.phoenixcontact.com/us/products/1674985>



Crimp contact, contact diameter: 1.6 mm, turned, Socket, contact material: Copper alloy, contact surface: gold-plated, connection cross section: 2.5 mm² ... 2.5 mm², AWG 14

CK1,6-ER-1,00BU OIC AG - Crimp contact

1004362

<https://www.phoenixcontact.com/us/products/1004362>



Crimp contact, contact diameter: 1.6 mm, rolled, Socket, contact material: Cu alloy, nickel-plated, contact surface: silver-plated, connection cross section: 0.34 mm² ... 1 mm², AWG 22 ... 17

HC-D 40-I-CT-F - Contact insert

1584428

<https://www.phoenixcontact.com/us/products/1584428>



CK1,6-ER-2,50BU OIC AG - Crimp contact

1004366

<https://www.phoenixcontact.com/us/products/1004366>



Crimp contact, contact diameter: 1.6 mm, rolled, Socket, contact material: Cu alloy, nickel-plated, contact surface: silver-plated, connection cross section: 1.5 mm² ... 2.5 mm², AWG 16 ... 14

CK1,6-BR-1,00BU OIC AG - Crimp contact

1004381

<https://www.phoenixcontact.com/us/products/1004381>



Crimp contact, contact diameter: 1.6 mm, rolled, Socket, contact material: Cu alloy, nickel-plated, contact surface: silver-plated, connection cross section: 0.34 mm² ... 1 mm², AWG 22 ... 17, Taped products

HC-D 40-I-CT-F - Contact insert

1584428

<https://www.phoenixcontact.com/us/products/1584428>



CK1,6-BR-2,50BU OIC AG - Crimp contact

1004383

<https://www.phoenixcontact.com/us/products/1004383>



Crimp contact, contact diameter: 1.6 mm, rolled, Socket, contact material: Cu alloy, nickel-plated, contact surface: silver-plated, connection cross section: 1.5 mm² ... 2.5 mm², AWG 16 ... 14, Taped products

HC-D 40-I-CT-M - Contact insert

1584415

<https://www.phoenixcontact.com/us/products/1584415>



Contact insert, number of positions: 40+PE, size: B16, number of connections per position: 1, Pin, Crimp connection, 250 V, 10 A, 0.14 mm² ... 2.5 mm², application: Signal

HC-D 40-I-CT-F - Contact insert

1584428

<https://www.phoenixcontact.com/us/products/1584428>



UNIFOX MT-CK 1.6/2.5 - Assembly tool

1089092

<https://www.phoenixcontact.com/us/products/1089092>

Assembly tool, for CK 1.6... crimp contacts for small conductor cross sections



UNIFOX RT-CK 1.6 - Contact removal tool

1072069

<https://www.phoenixcontact.com/us/products/1072069>

Contact removal tool, for turned and rolled CK- 1.6-... contacts



Phoenix Contact 2024 © - all rights reserved
<https://www.phoenixcontact.com>

Phoenix Contact USA
586 Fulling Mill Road
Middletown, PA 17057, United States
(+717) 944-1300
info@phoenixcon.com