

SACC-FP-F-M8/PRESS SMD - Housing screw connection

1412501

<https://www.phoenixcontact.com/us/products/1412501>

Please be informed that the data shown in this PDF document is generated from our online catalog. Please find the complete data in the user documentation. Our general terms of use for downloads are valid.

M8 socket, press-in mounting



Your advantages

- Reduced mounting costs thanks to two-piece device connector
- Easy device integration, thanks to mechanical port screw connections with press-in contour
- Efficient PCB assembly: two-piece connectors for SMT soldering

Commercial data

Item number	1412501
Packing unit	10 pc
Minimum order quantity	10 pc
Sales key	AB22
Product key	ABQHAI
GTIN	4046356989107
Weight per piece (including packing)	5.05 g
Weight per piece (excluding packing)	4.92 g
Customs tariff number	74198090
Country of origin	DE

SACC-FP-F-M8/PRESS SMD - Housing screw connection



1412501

<https://www.phoenixcontact.com/us/products/1412501>

Technical data

Product properties

Product type	Panel mounting base
Thread type	M8

Connector

Connection 1

Head design	Socket
-------------	--------

Environmental and real-life conditions

Ambient conditions

Degree of protection (when plugged in)	IP67 (correctly plugged in and locked)
Degree of protection	IP67 (correctly plugged in and locked)

Mounting

Mounting type	Front mounting
---------------	----------------

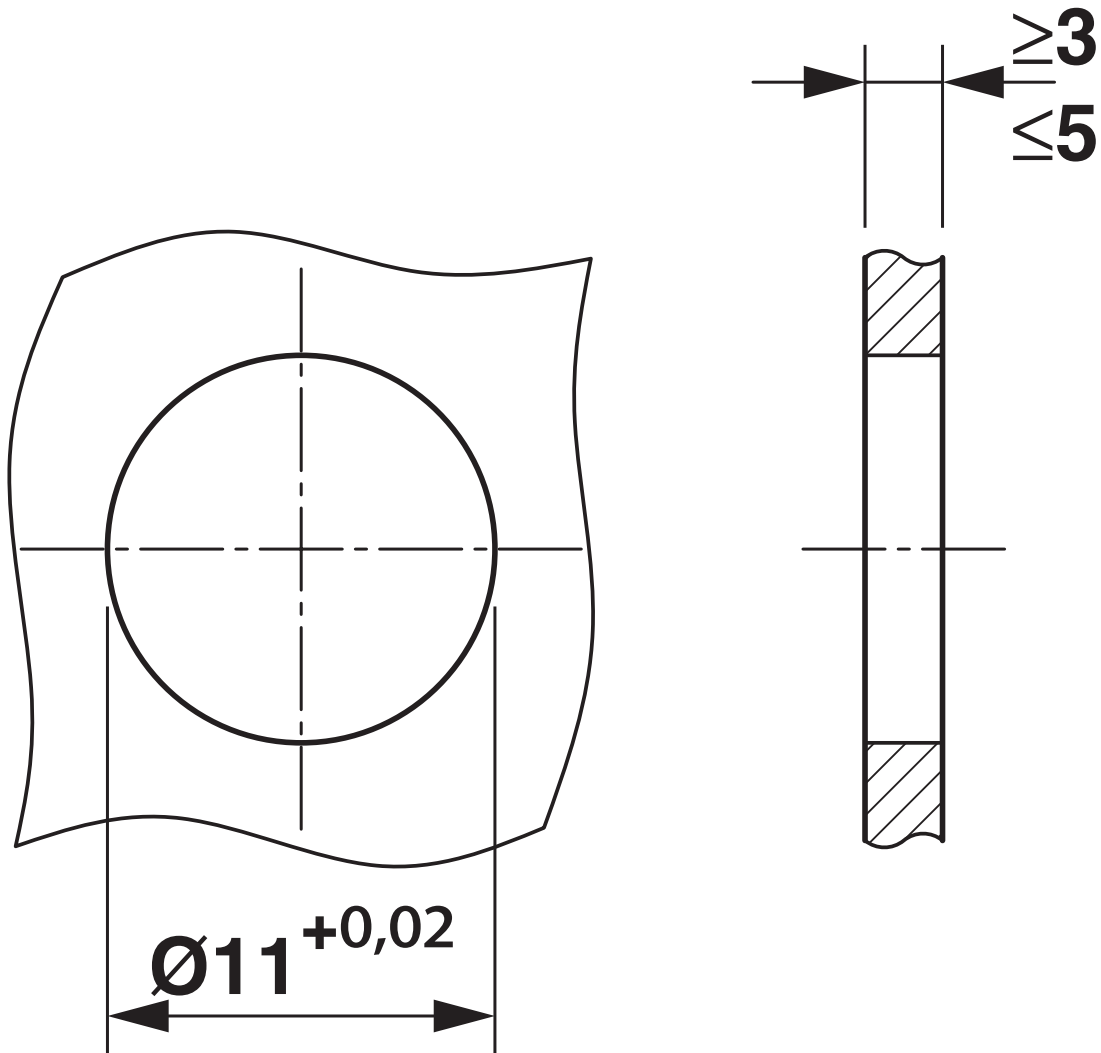
SACC-FP-F-M8/PRESS SMD - Housing screw connection

1412501

<https://www.phoenixcontact.com/us/products/1412501>

Drawings

Dimensional drawing



Mounting cutout

SACC-FP-F-M8/PRESS SMD - Housing screw connection



1412501

<https://www.phoenixcontact.com/us/products/1412501>

Classifications

ECLASS

ECLASS-11.0	27440224
ECLASS-12.0	27440224
ECLASS-13.0	27440224

ETIM

ETIM 9.0	EC003556
----------	----------

UNSPSC

UNSPSC 21.0	39121100
-------------	----------

SACC-FP-F-M8/PRESS SMD - Housing screw connection



1412501

<https://www.phoenixcontact.com/us/products/1412501>

Environmental product compliance

China RoHS	Environmentally friendly use period: unlimited = EFUP-e No hazardous substances above threshold values
------------	---

Phoenix Contact 2024 © - all rights reserved
<https://www.phoenixcontact.com>

Phoenix Contact USA
586 Fulling Mill Road
Middletown, PA 17057, United States
(+717) 944-1300
info@phoenixcon.com