

# SACC-FP-F-M12/PRESS SMD - Housing screw connection



1412081

<https://www.phoenixcontact.com/us/products/1412081>

Please be informed that the data shown in this PDF document is generated from our online catalog. Please find the complete data in the user documentation. Our general terms of use for downloads are valid.



Housing screw connection, Socket, M12, Front mounting, Alternative product in accordance with RoHS II without Exemption 6c (Pb < 0.1 %) item no.: 1238973

## Your advantages

- Reduced mounting costs thanks to two-piece device connector
- Easy device integration, thanks to mechanical port screw connections with press-in contour
- Efficient PCB assembly: two-piece connectors for SMT soldering

## Commercial data

Item number	1412081
Packing unit	10 pc
Minimum order quantity	10 pc
Sales key	AB23
Product key	ABQBCK
GTIN	4046356992978
Weight per piece (including packing)	8.3 g
Weight per piece (excluding packing)	8.28 g
Customs tariff number	74153300
Country of origin	DE

# SACC-FP-F-M12/PRESS SMD - Housing screw connection



1412081

<https://www.phoenixcontact.com/us/products/1412081>

## Technical data

### Notes

General	The electrical and mechanical data specified assume that the connector pair is correctly locked and mounted. If the connector is unlocked and if there is a danger of contamination, the connector must be sealed using a protective cap > IP54. Influences arising from litz wires, cables or PCB assembly must also be taken into consideration.
---------	--

### Product properties

Product type	Panel mounting base
Thread type	M12

### Material specifications

Material	Brass, nickel-plated
Seal material	FKM
Material for screw connection	Brass, nickel-plated

### Connector

#### Connection 1

Head design	Socket
Head thread type	M12

### Mechanical properties

#### Mechanical data

Insertion/withdrawal cycles	> 100
-----------------------------	-------

### Environmental and real-life conditions

#### Ambient conditions

Degree of protection (when plugged in)	IP67 (correctly plugged in and locked)
Degree of protection	IP67 (correctly plugged in and locked) IP67, when in locked state
Ambient temperature (operation)	-25 °C ... 85 °C (Plug / socket) -40 °C ... 85 °C (without mechanical actuation)

### Standards and regulations

#### M12

Standard designation	M12 connector
Standards/specifications	IEC 61076-2-101
Note	In line with

### Mounting

Mounting type	Front mounting Press-in mounting
---------------	----------------------------------

# SACC-FP-F-M12/PRESS SMD - Housing screw connection



1412081

<https://www.phoenixcontact.com/us/products/1412081>

Assembly instructions

Press-in mounting

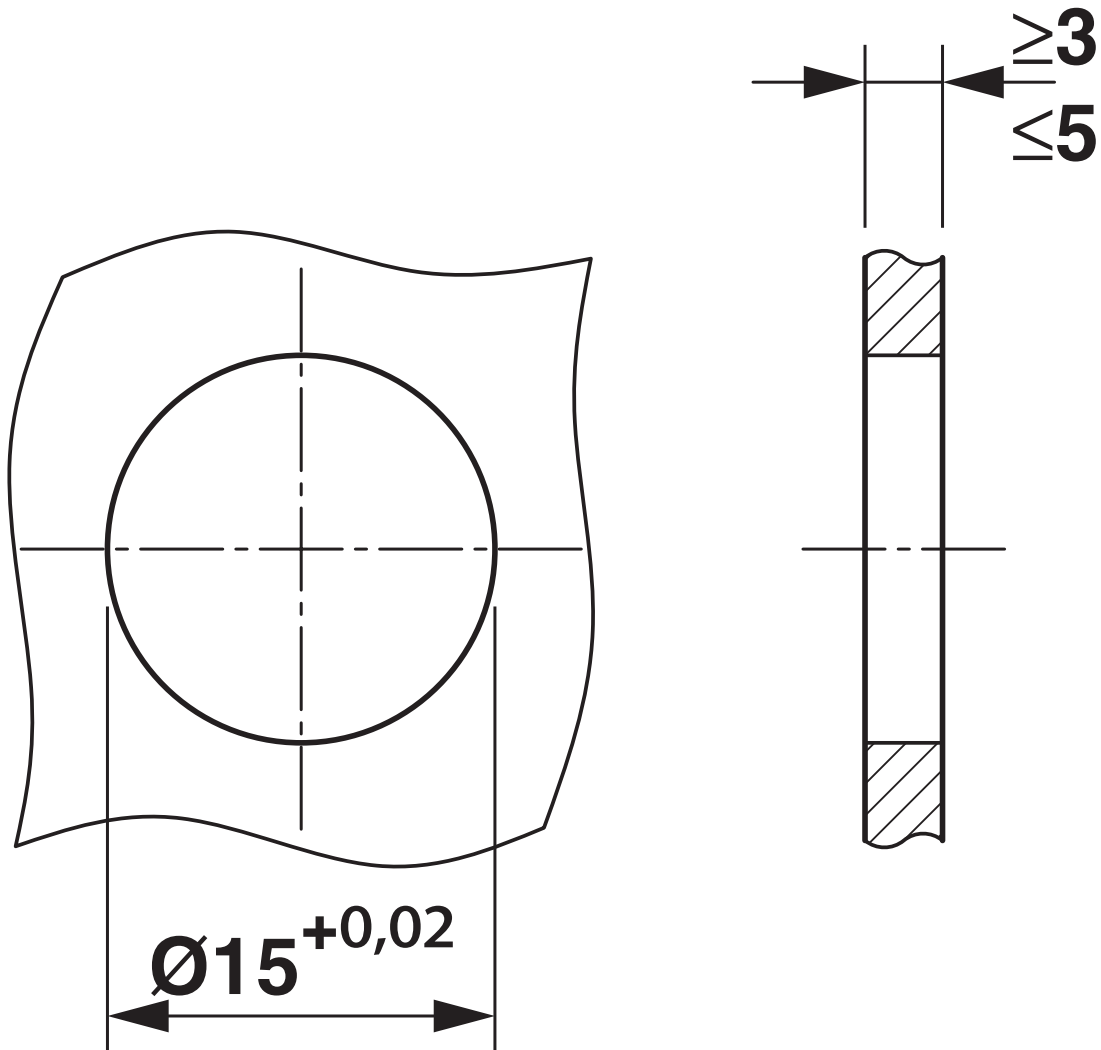
# SACC-FP-F-M12/PRESS SMD - Housing screw connection

1412081

<https://www.phoenixcontact.com/us/products/1412081>

## Drawings

### Dimensional drawing



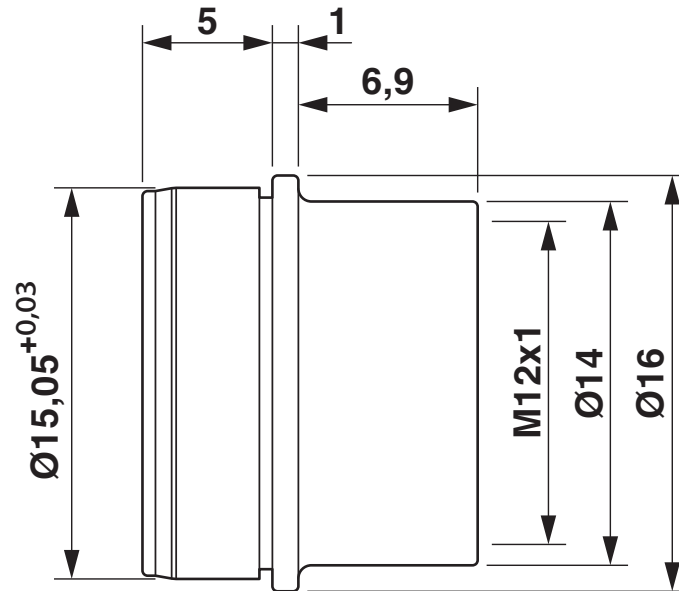
Housing bore holes

# SACC-FP-F-M12/PRESS SMD - Housing screw connection

1412081

<https://www.phoenixcontact.com/us/products/1412081>

Dimensional drawing



Dimensional drawing

# SACC-FP-F-M12/PRESS SMD - Housing screw connection



1412081

<https://www.phoenixcontact.com/us/products/1412081>

## Classifications

### ECLASS

ECLASS-11.0	27440224
ECLASS-12.0	27440224
ECLASS-13.0	27440224

### ETIM

ETIM 9.0	EC003556
----------	----------

### UNSPSC

UNSPSC 21.0	39121100
-------------	----------

# SACC-FP-F-M12/PRESS SMD - Housing screw connection



1412081

<https://www.phoenixcontact.com/us/products/1412081>

## Environmental product compliance

REACH SVHC	Lead 7439-92-1
China RoHS	Environmentally Friendly Use Period = 50 years
	For information on hazardous substances, refer to the manufacturer's declaration available under "Downloads"

Phoenix Contact 2024 © - all rights reserved

<https://www.phoenixcontact.com>

Phoenix Contact USA  
586 Fulling Mill Road  
Middletown, PA 17057, United States  
(+717) 944-1300  
[info@phoenixcon.com](mailto:info@phoenixcon.com)