

SACC-CI-M12MS-12P SMD R32 - Contact carrier



1411987

<https://www.phoenixcontact.com/us/products/1411987>

Please be informed that the data shown in this PDF document is generated from our online catalog. Please find the complete data in the user documentation. Our general terms of use for downloads are valid.



Contact carrier, 12-position, Pin, straight, M12, coding: A, PCB mounting, SMD reflow, Alternative product in accordance with RoHS II without Exemption 6c (Pb < 0.1 %) item no.: 1238950

Your advantages

- Reduced mounting costs thanks to two-piece device connector
- Packaging available for automated pick and place assembly
- All common pin assignments and codings available
- Easy device integration thanks to mechanical port screw connections with threaded attachment, press-in contour or direct integration in the front plate
- Optional shield connection and seal for the device when not plugged in

Commercial data

| | |
|--------------------------------------|---------------|
| Item number | 1411987 |
| Packing unit | 100 pc |
| Minimum order quantity | 100 pc |
| Sales key | AB23 |
| Product key | ABQBGN |
| GTIN | 4046356992183 |
| Weight per piece (including packing) | 6.277 g |
| Weight per piece (excluding packing) | 6.277 g |
| Customs tariff number | 85366990 |
| Country of origin | DE |

Technical data

Notes

| | |
|---------|--|
| General | The electrical and mechanical data specified assume that the connector pair is correctly locked and mounted. If the connector is unlocked and if there is a danger of contamination, the connector must be sealed using a protective cap > IP54. Influences arising from litz wires, cables or PCB assembly must also be taken into consideration. |
|---------|--|

Product properties

| | |
|---------------------|----------------|
| Product type | Contact insert |
| Number of positions | 12 |
| Application | Signal |
| Seal present | no |
| Shielded | no |
| Coding | A |
| Thread type | M12 |

Insulation characteristics

| | |
|----------------------|-----|
| Overvoltage category | III |
| Degree of pollution | 3 |

Electrical properties

| | |
|-----------------------|----------|
| Rated surge voltage | 0.8 kV |
| Contact resistance | ≤ 3 mΩ |
| Insulation resistance | ≥ 100 MΩ |
| Nominal voltage U_N | 30 V |
| Nominal current I_N | 1.5 A |

Connection data

| | |
|-------------------|------------|
| Connection method | SMD reflow |
|-------------------|------------|

Material specifications

| | |
|--|------|
| Flammability rating according to UL 94 | V0 |
| Contact material | CuZn |
| Contact surface material | Au |
| Contact carrier material | PA |

Connector

Connection 1

| | |
|-------------------|----------|
| Head design | Pin |
| Head cable outlet | straight |
| Head thread type | M12 |
| Coding | A |

1411987

<https://www.phoenixcontact.com/us/products/1411987>

Mechanical properties

Mechanical data

| | |
|-----------------------------|-------|
| Insertion/withdrawal cycles | > 100 |
|-----------------------------|-------|

Environmental and real-life conditions

Ambient conditions

| | |
|--|--|
| Degree of protection (when plugged in) | IP67 (correctly plugged in and locked) |
| Degree of protection | IP67 (correctly plugged in and locked) |
| | IP67, when plugged in |
| Ambient temperature (operation) | -55 °C ... 105 °C (Plug / socket) |
| | -55 °C ... 105 °C (without mechanical actuation) |

Standards and regulations

M12

| | |
|--------------------------|-----------------|
| Standard designation | M12 connector |
| Standards/specifications | IEC 61076-2-101 |
| Note | In line with |

Mounting

| | |
|-------------------|--------------|
| Mounting type | PCB mounting |
| Connection method | SMD reflow |

Packaging specifications

| | |
|-------------------|-------------------|
| Type of packaging | Belt |
| Delivery state | with assembly pad |

SACC-CI-M12MS-12P SMD R32 - Contact carrier

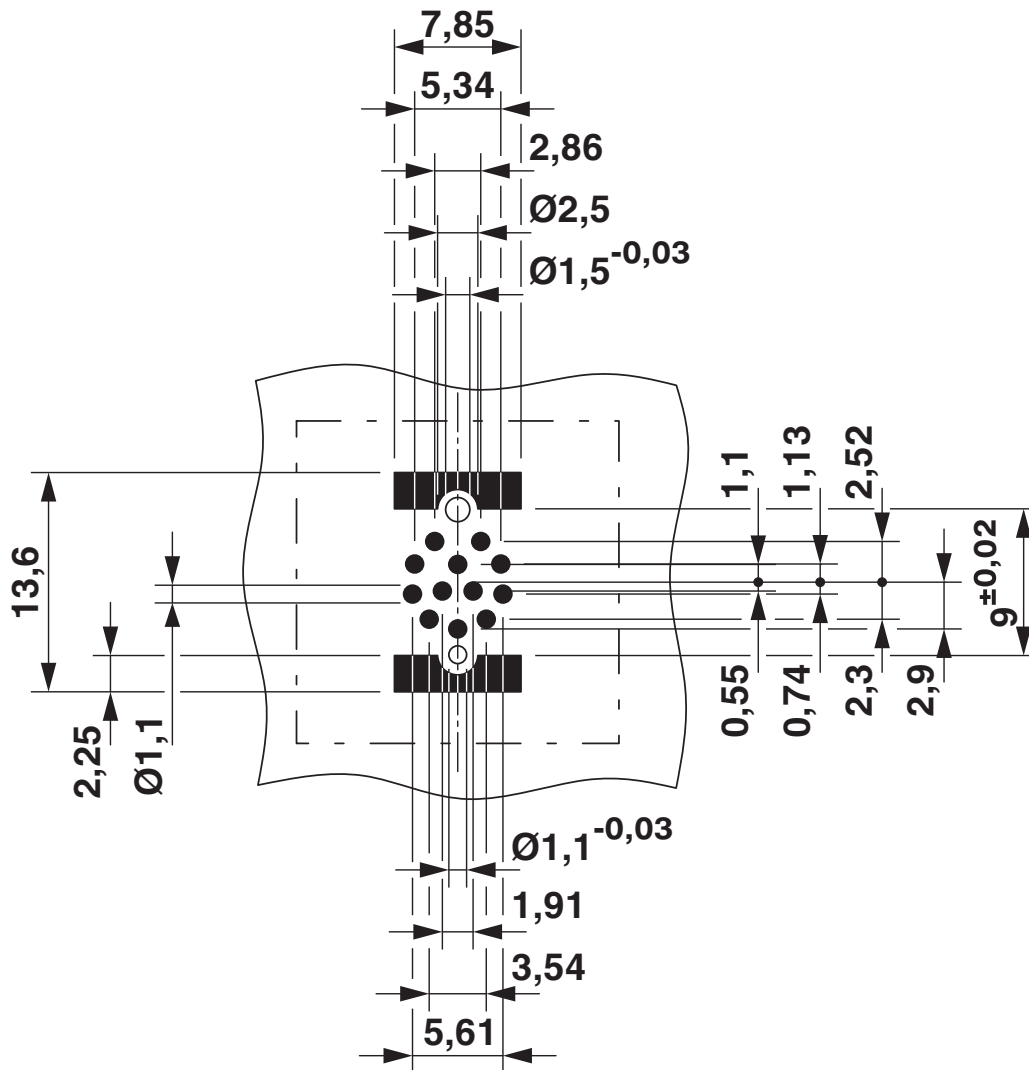


1411987

<https://www.phoenixcontact.com/us/products/1411987>

Drawings

Drilling plan/solder pad geometry



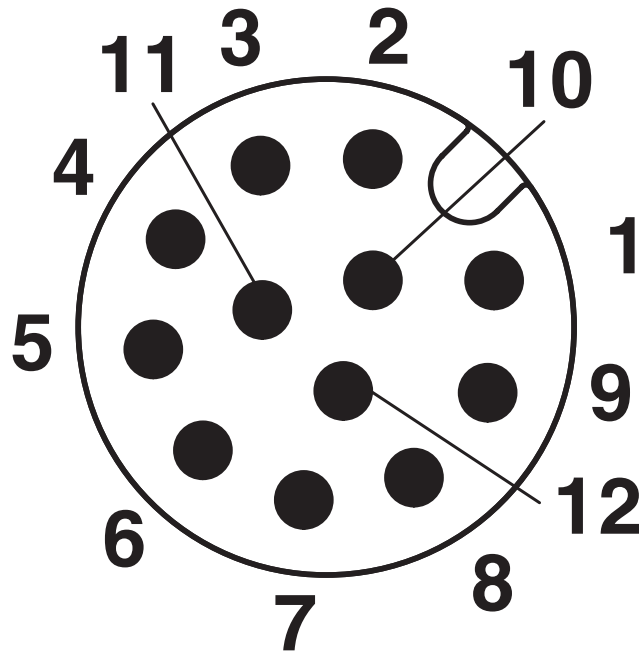
Soldering pad geometry

SACC-CI-M12MS-12P SMD R32 - Contact carrier

1411987

<https://www.phoenixcontact.com/us/products/1411987>

Schematic diagram

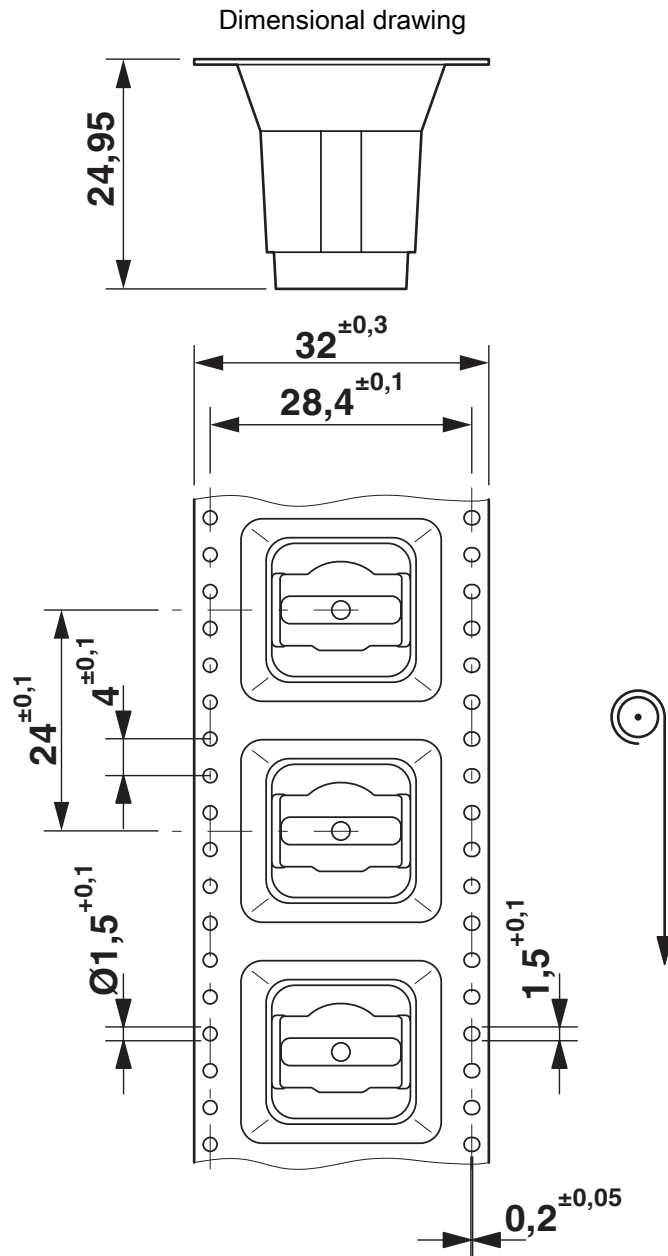


Pin assignment of M12 male connector, 12-pos., A-coded, view of pin side

SACC-CI-M12MS-12P SMD R32 - Contact carrier

1411987

<https://www.phoenixcontact.com/us/products/1411987>



SMD tape-on-reel packing

SACC-CI-M12MS-12P SMD R32 - Contact carrier




1411987

<https://www.phoenixcontact.com/us/products/1411987>

Approvals

To download certificates, visit the product detail page: <https://www.phoenixcontact.com/us/products/1411987>

| | | | | |
|--|-----------------------|-----------------------|-------------------|-----------------------------|
|  cULus Recognized Approval ID: E221474-20160506 | Nominal voltage U_N | Nominal current I_N | Cross section AWG | Cross section mm^2 |
| | 30 V | 1.5 A | - | - |

SACC-CI-M12MS-12P SMD R32 - Contact carrier



1411987

<https://www.phoenixcontact.com/us/products/1411987>

Classifications

ECLASS

| | |
|-------------|----------|
| ECLASS-11.0 | 27440102 |
| ECLASS-12.0 | 27440116 |
| ECLASS-13.0 | 27440116 |

ETIM

| | |
|----------|----------|
| ETIM 9.0 | EC002635 |
|----------|----------|

UNSPSC

| | |
|-------------|----------|
| UNSPSC 21.0 | 39121400 |
|-------------|----------|

SACC-CI-M12MS-12P SMD R32 - Contact carrier



1411987

<https://www.phoenixcontact.com/us/products/1411987>

Environmental product compliance

| | |
|------------|--|
| REACH SVHC | Lead 7439-92-1 |
| China RoHS | Environmentally Friendly Use Period = 50 years |
| | For information on hazardous substances, refer to the manufacturer's declaration available under "Downloads" |

SACC-CI-M12MS-12P SMD R32 - Contact carrier



1411987

<https://www.phoenixcontact.com/us/products/1411987>

Accessories

SACC-BP-M-M12/M15-6-SMD - Housing screw connection

1414000

<https://www.phoenixcontact.com/us/products/1414000>



Housing screw connection, Pin, Rear mounting, Alternative product in accordance with RoHS II without Exemption 6c (Pb < 0.1 %) item no.: 1239053

SACC-BP-M-M12/M15-6-SMD SCO - Housing screw connection

1414002

<https://www.phoenixcontact.com/us/products/1414002>



Housing screw connection, Pin, M12-SPEEDCON, Rear mounting, M15 x 1, Alternative product in accordance with RoHS II without Exemption 6c (Pb < 0.1 %) item no.: 1239054

SACC-CI-M12MS-12P SMD R32 - Contact carrier



1411987

<https://www.phoenixcontact.com/us/products/1411987>

SACC-FP-M-M12/M14 SMD - Housing screw connection

1412078

<https://www.phoenixcontact.com/us/products/1412078>



Housing screw connection, Pin, M12, Front mounting, M14 x 1, Alternative product in accordance with RoHS II without Exemption 6c (Pb < 0.1 %) item no.: 1238970

SACC-FP-M-M12/PRESS SMD - Housing screw connection

1412080

<https://www.phoenixcontact.com/us/products/1412080>



Housing screw connection, Pin, M12, Front mounting

SACC-CI-M12MS-12P SMD R32 - Contact carrier



1411987

<https://www.phoenixcontact.com/us/products/1411987>

SACC-BP-M-M12-SMD PP - Housing screw connection

1107993

<https://www.phoenixcontact.com/us/products/1107993>



Housing screw connection, Pin, M12-Push-Pull, Rear mounting, SMD,
Alternative product in accordance with RoHS II without Exemption 6c (Pb < 0.1 %)
item no.: 1308006

SACC-FP-M-M12-SMD PP - Housing screw connection

1107999

<https://www.phoenixcontact.com/us/products/1107999>



Housing screw connection, Pin-Push-Pull, Front mounting, SMD

Phoenix Contact 2024 © - all rights reserved
<https://www.phoenixcontact.com>

Phoenix Contact USA
586 Fulling Mill Road
Middletown, PA 17057, United States
(+717) 944-1300
info@phoenixcon.com