

CUC-V06-F1PGY-UBB/UBAB - Panel mounting frames



1411905

<https://www.phoenixcontact.com/us/products/1411905>

Please be informed that the data shown in this PDF document is generated from our online catalog. Please find the complete data in the user documentation. Our general terms of use for downloads are valid.



USB socket insert, 4-pos., USB socket type A to USB socket type B, socket type B to panel mounting frame side, for the Freenet system in the panel mounting frame, IP20 terminal outlet, 19" patch panel, and service interface

Commercial data

Item number	1411905
Packing unit	5 pc
Minimum order quantity	5 pc
Sales key	AB14
Product key	ABNDAA
Catalog page	Page 453 (C-2-2019)
GTIN	4046356945004
Weight per piece (including packing)	18.1 g
Weight per piece (excluding packing)	16.1 g
Customs tariff number	85366990
Country of origin	DE

1411905

<https://www.phoenixcontact.com/us/products/1411905>

Technical data

Product properties

Type	USB-A
Product type	Panel mounting frame
Number of positions	4
Connection profile	USB
Type	RJ45

Electrical properties

Rated voltage (III/3)	30 V
Rated current	1 A
Transmission medium	Copper
Transmission characteristics (category)	USB 2.0

Material specifications

Color	gray
Material	Plastic
Flammability rating according to UL 94	V0
Cable seal material	NBR
Contact material	Copper alloy
Contact surface material	Gold over nickel
Contact carrier material	PC
O-ring material	FPM
Housing material	Plastic

Mechanical properties

Mechanical data

Insertion/withdrawal cycles	≥ 1000
-----------------------------	--------

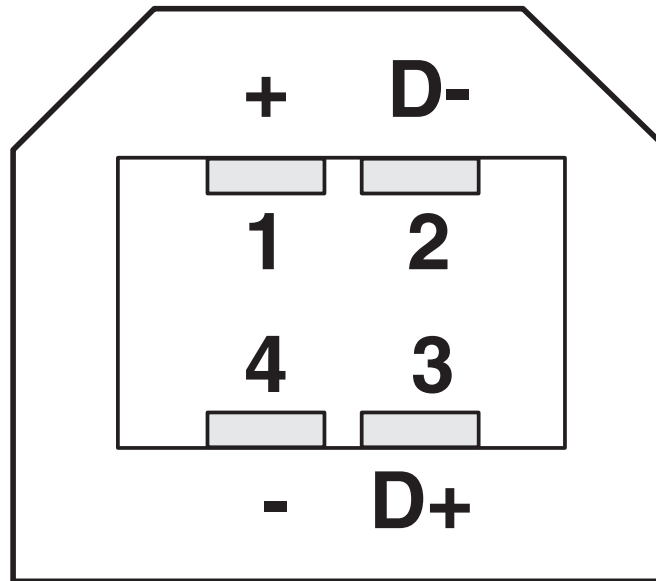
Environmental and real-life conditions

Ambient conditions

Degree of protection	IP67
Ambient temperature (operation)	-15 °C ... 65 °C

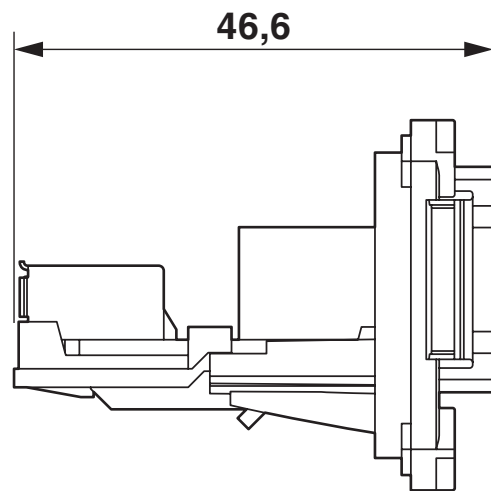
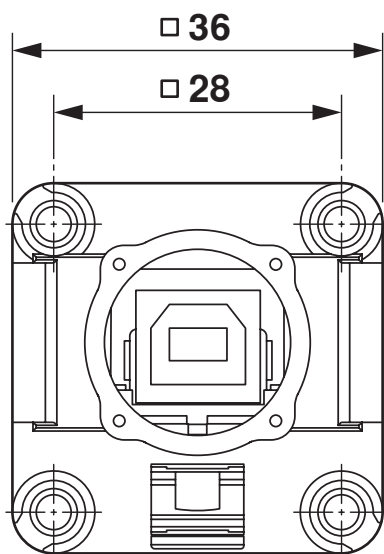
Drawings

Schematic diagram



Pin assignment socket USB, type B

Dimensional drawing

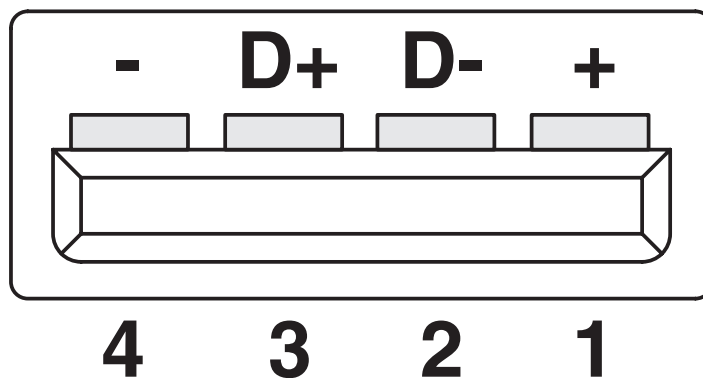


Dimensional drawing

1411905

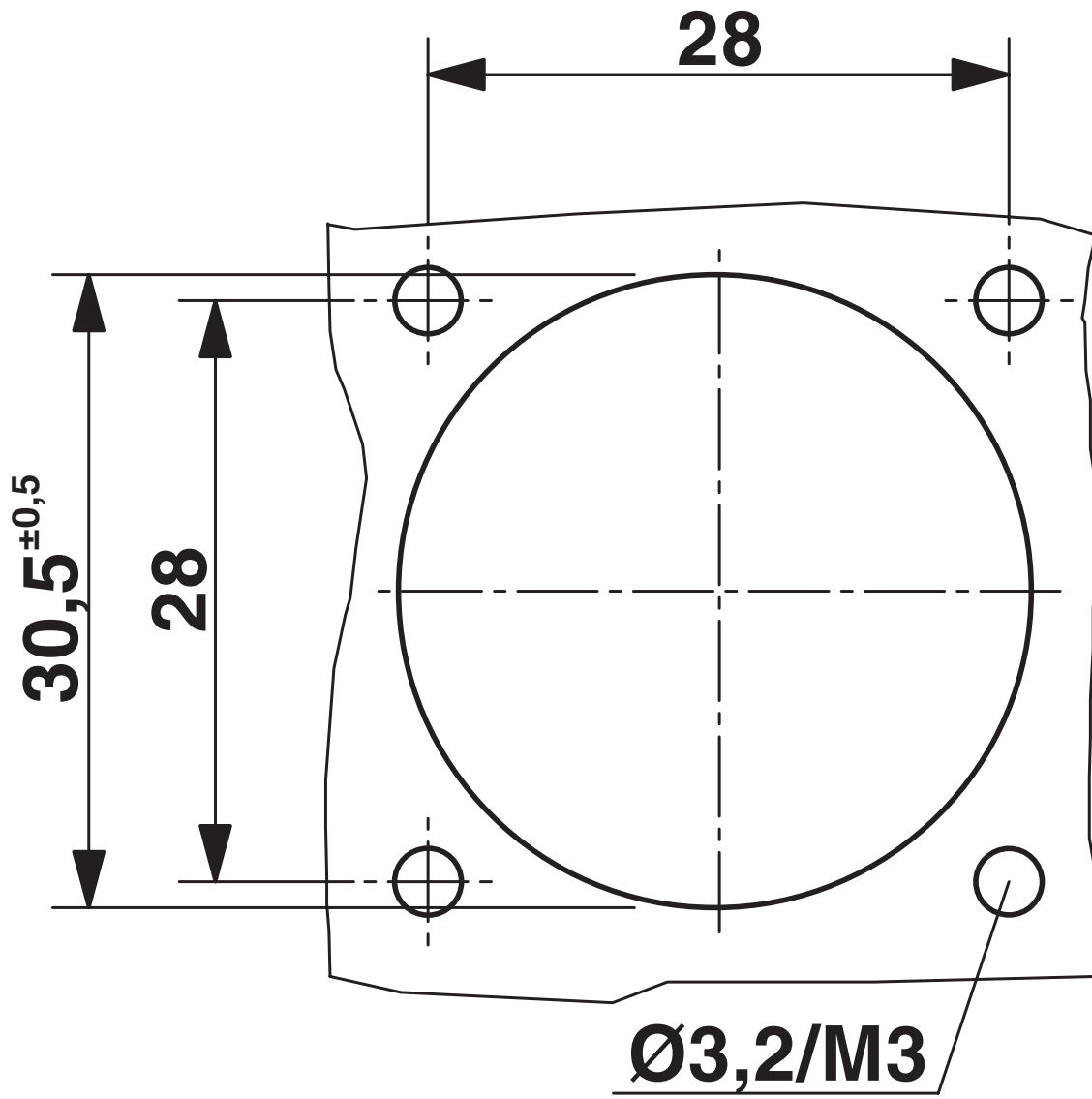
<https://www.phoenixcontact.com/us/products/1411905>

Schematic diagram



Pin assignment socket USB, type A

Dimensional drawing



Mounting cutout

1411905

<https://www.phoenixcontact.com/us/products/1411905>

Classifications

ECLASS

ECLASS-11.0	27440390
ECLASS-12.0	27440390
ECLASS-13.0	27440390

UNSPSC

UNSPSC 21.0	39121400
-------------	----------

1411905

<https://www.phoenixcontact.com/us/products/1411905>

Environmental product compliance

China RoHS	Environmentally friendly use period: unlimited = EFUP-e No hazardous substances above threshold values
------------	---

Phoenix Contact 2024 © - all rights reserved
<https://www.phoenixcontact.com>

Phoenix Contact USA
586 Fulling Mill Road
Middletown, PA 17057, United States
(+717) 944-1300
info@phoenixcon.com