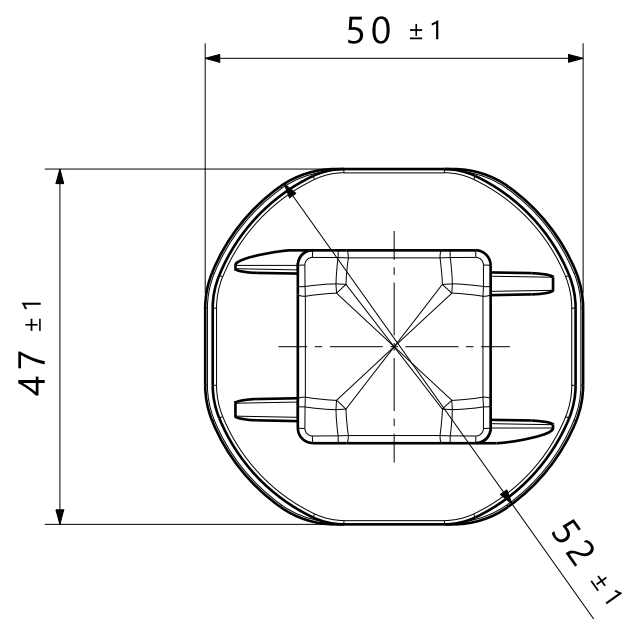
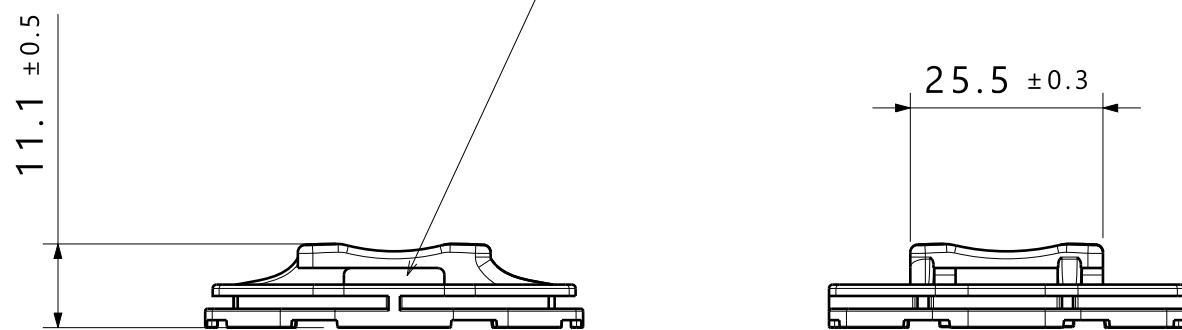


ISO: 1:1

Retainer for cable tie: /  
Aufnahme fuer Kabelbinder:  
13 x 2 mm



Printed copy for information only/  
Ausdruck nur zur Information

Specification:

- Material: PA6.6 + PA6
- Material color: black

The manufacturing-related geometry changes (injection point, ejectors marks, etc.) allowed. Design of the details are left to suppliers discretion.

Spezifikation:

- Material: PA6.6 + PA6
- Material Farbe: schwarz

Durch das Herstellverfahren bedingte Geometriaenderungen (Anspritzung, Auswerfermarkierungen, etc.) zulaessig. Einzelheiten der Ausfuehrung bleiben dem Hersteller ueberlassen.

| Revision Level |                   |      | Revision Record   |  |                       | The copyright of this drawing is reserved by HellermannTyton. | Drawn  | Date (YYYY/MM/DD) | Title<br>PMB8 | Scale      |
|----------------|-------------------|------|-------------------|--|-----------------------|---|--|-------------------|---------------|------------|
| Drawing        | State             | Part | tolerance changed |  |                       |   | All drawing revisions are stored in CAD PDM database | C.Cordts          |               | 2020.06.11 |
| <b>01.1</b>    | Design Release    | 0    |                   |  | Global Project Number | 18-1545   |  |                   |               |            |
| Changed        | Date (YYYY/MM/DD) |      |                   |  | Format                | A3  |  |                   |               |            |
| C.Cordts       | 2020/11/06        |      |                   |  | Sheet                 | 1 / 1   |  |                   |               |            |
| Approved       | Date (YYYY/MM/DD) |      |                   |  |                       | Units   | <b>HellermannTyton</b><br>www.HellermannTyton.com    |                   |               |            |
| B.Schiwek      | 2020/11/06        |      |                   |  |                       | mm  |  |                   |               |            |