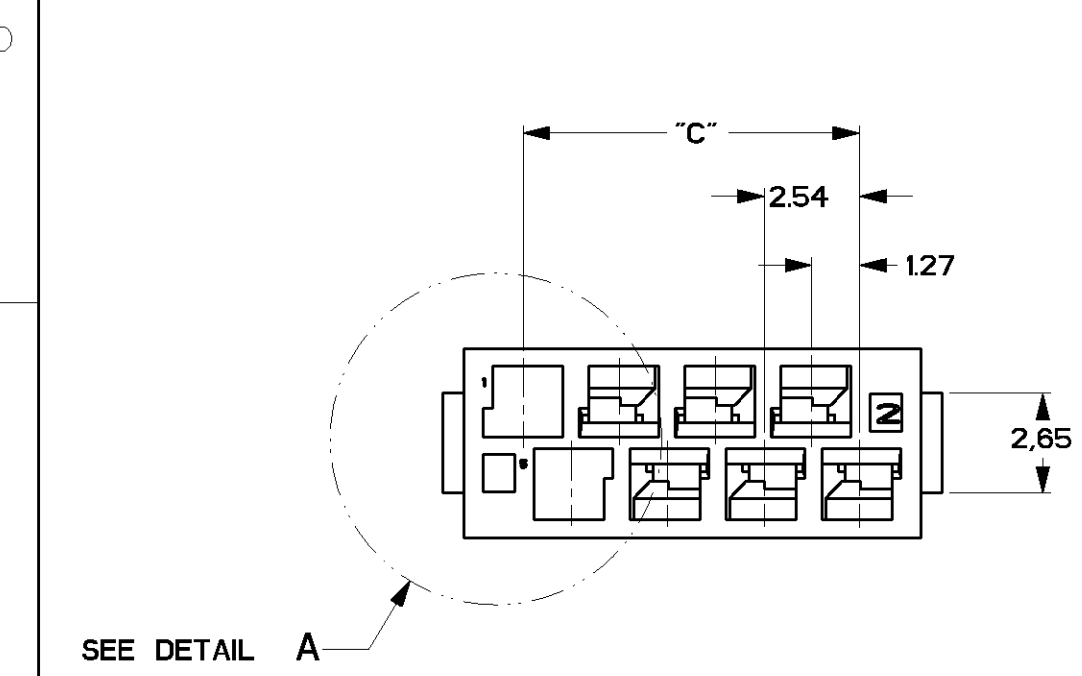
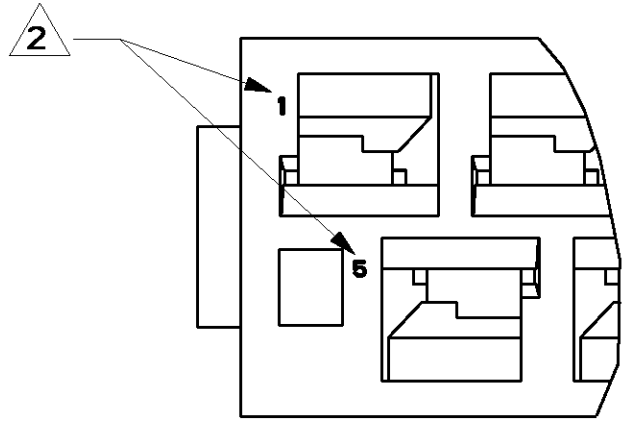


THIS DRAWING IS UNPUBLISHED. RELEASED FOR PUBLICATION  
 © COPYRIGHT 1997 BY TYCO ELECTRONICS CORPORATION. ALL RIGHTS RESERVED.

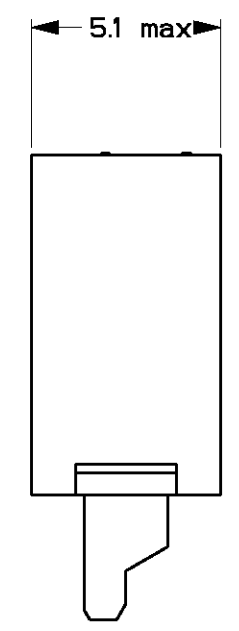
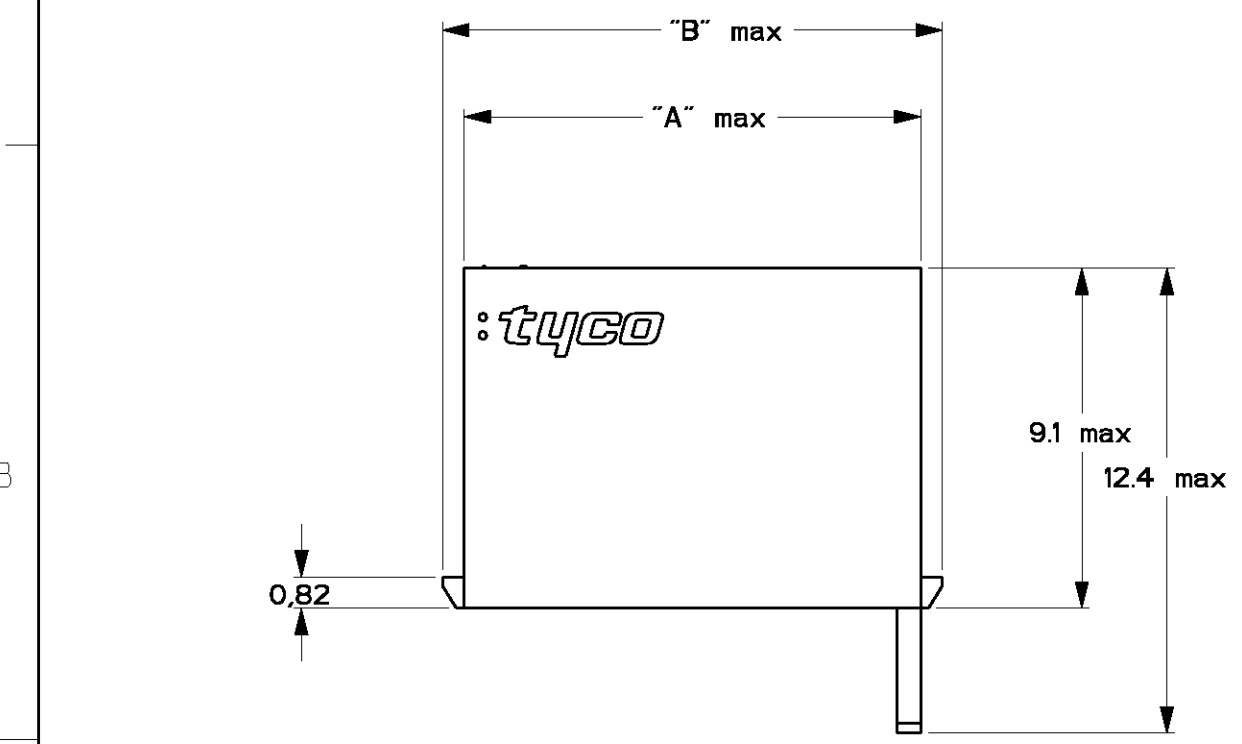
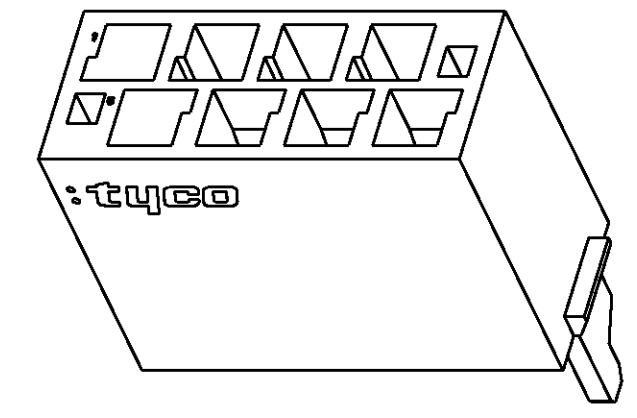
LOC	DIST	REVISIONS					
H	-	P	LTR	DESCRIPTION	DATE	DWN	APVD
		O		NEW DRAWING ECN998/96	22/11/96	HvD	EL
		A		ECN 260/98	02/07/98	MG	EL
		B		EH01-0232-04	16FEB04	JvdH	EL
		BI		ECR-07-023045	01OCT2007	DC	TdB



SEE DETAIL A



DETAIL A  
SCALE 10:1



NUMBER OF POSITIONS	PARTNUMBER	DIM "A" max	DIM "B" max	DIM C	PCS PER BOX
4	0-338095-4	7.2	8.4	3.81	900
6	0-338095-6	9.8	10.9	6.35	700
8	0-338095-8	12.3	13.5	8.89	500
10	1-338095-0	14.9	16.0	11.43	450
12	1-338095-2	17.4	18.5	13.97	400
14	1-338095-4	19.9	21.1	16.51	350
16	1-338095-6	22.5	23.6	19.05	300
18	1-338095-8	25.0	26.2	21.59	250
20	2-338095-0	27.6	28.7	24.13	200

- NOTES:
- 1 8 POSITIONS AS SHOWN.
  - 2 CAVITY NUMBERING.
  - 3 FOR APPLICABLE CRIMP-ON SNAP-IN CONTACTS SEE C-338096 AND C-338097.

<small>THIS DRAWING IS A CONTROLLED DOCUMENT FOR TYCO ELECTRONICS CORPORATION IT IS SUBJECT TO CHANGE AND THE CONTROLLING ENGINEERING ORGANIZATION SHOULD BE CONTACTED FOR THE LATEST REVISION.</small>		DWN H.v.DELFT 20NOV96 CHK H.v.DELFT 20NOV96 APVD - PRODUCT SPEC 108-19052 APPLICATION SPEC 114-19051 WEIGHT -	Tyco Electronics Tyco Electronics Corporate 's-Hertogenbosch, Nederland <b>Micro-MaTch COSI-HOUSING</b>
DIMENSIONS: mm 	TOLERANCES UNLESS OTHERWISE SPECIFIED: 0 PLC ±0.2 1 PLC ±0.1 2 PLC ±0.05 3 PLC ±0.01 4 PLC ± ANGLES ±	SIZE A3 CAGE CODE 00779 DRAWING NO C-338095 RESTRICTED TO -	SCALE 5:1 SHEET 1 OF 1 REV B1
MATERIAL GLASFILLED POLYESTER FINISH -	CUSTOMER DRAWING		