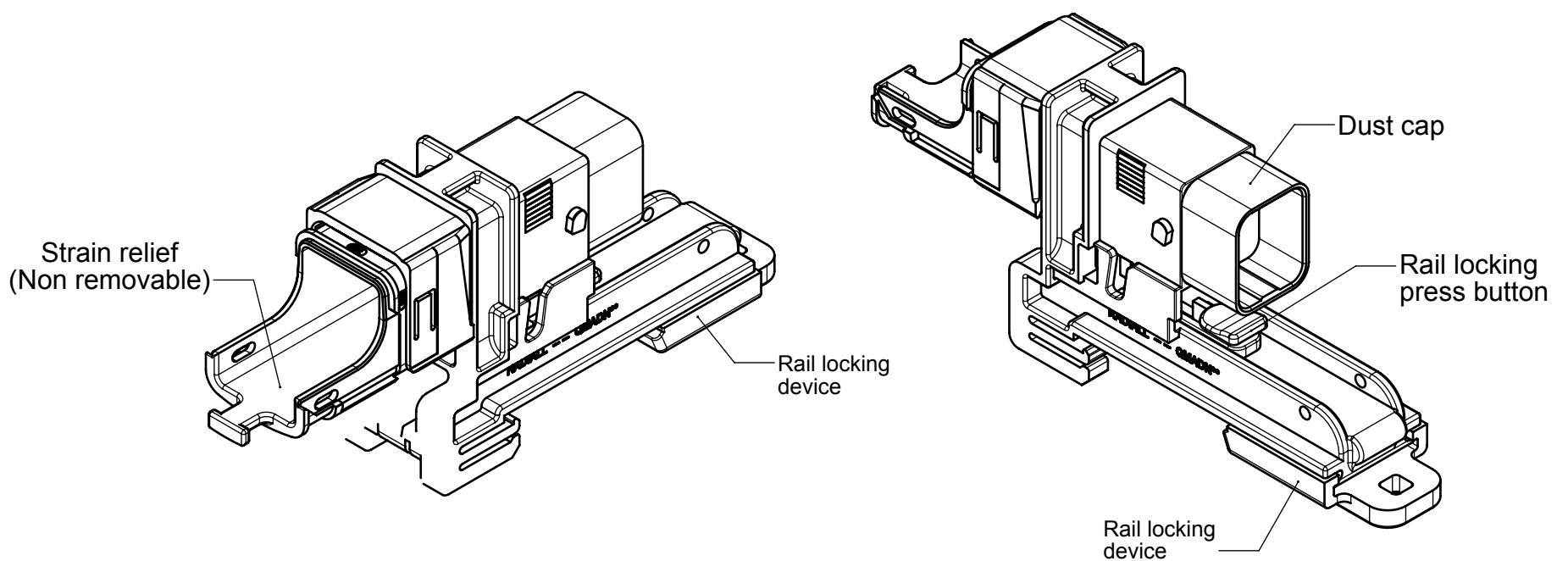
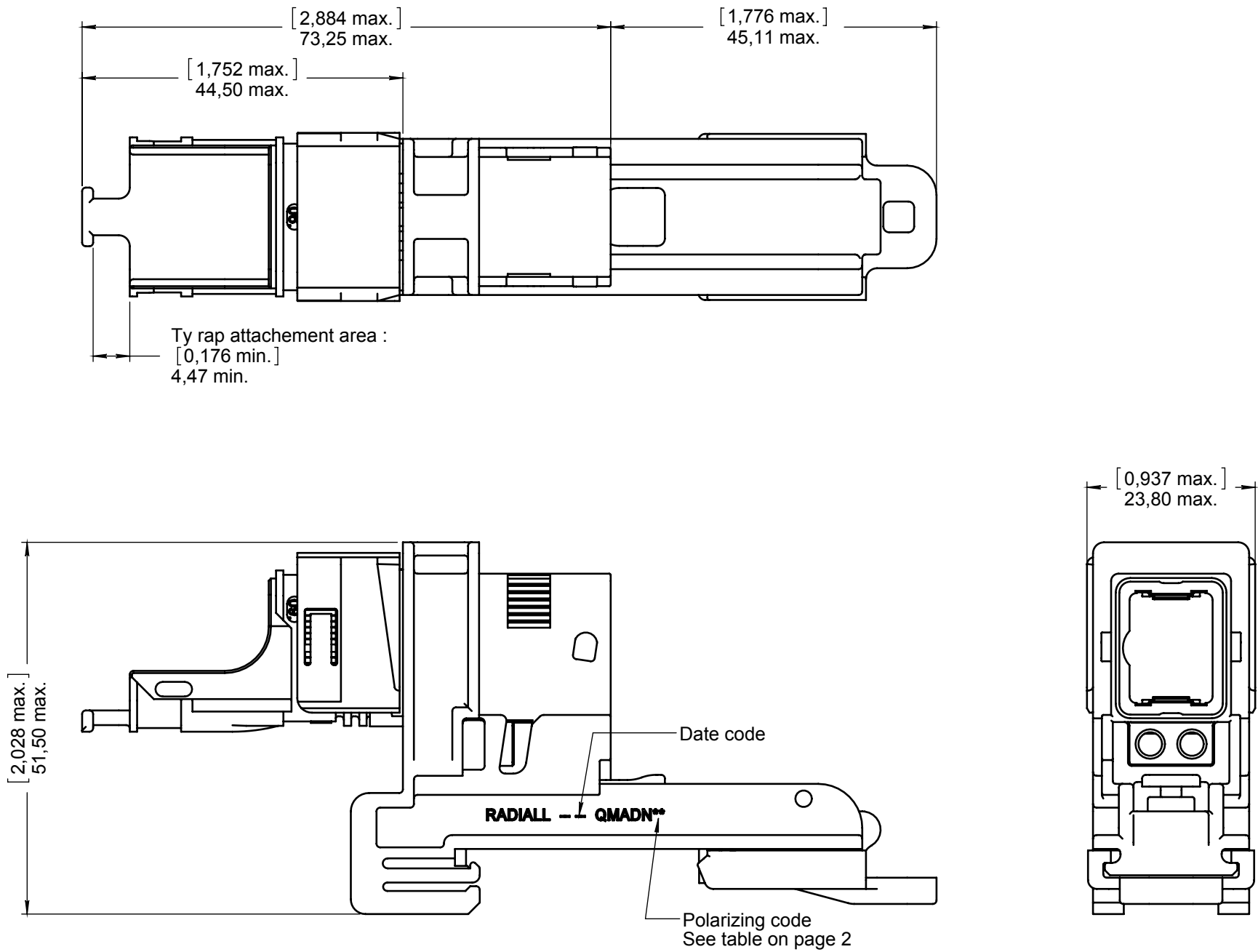


Series  
QM

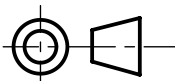
QMA RECEPTACLE CONNECTOR  
WITH STRAIGHT STRAIN RELIEF

Issue:  
Feb. 13, 2014

Page  
1/2



DIMENSIONS : mm (inch are given for information only)



Estimated weight : 38,6 g

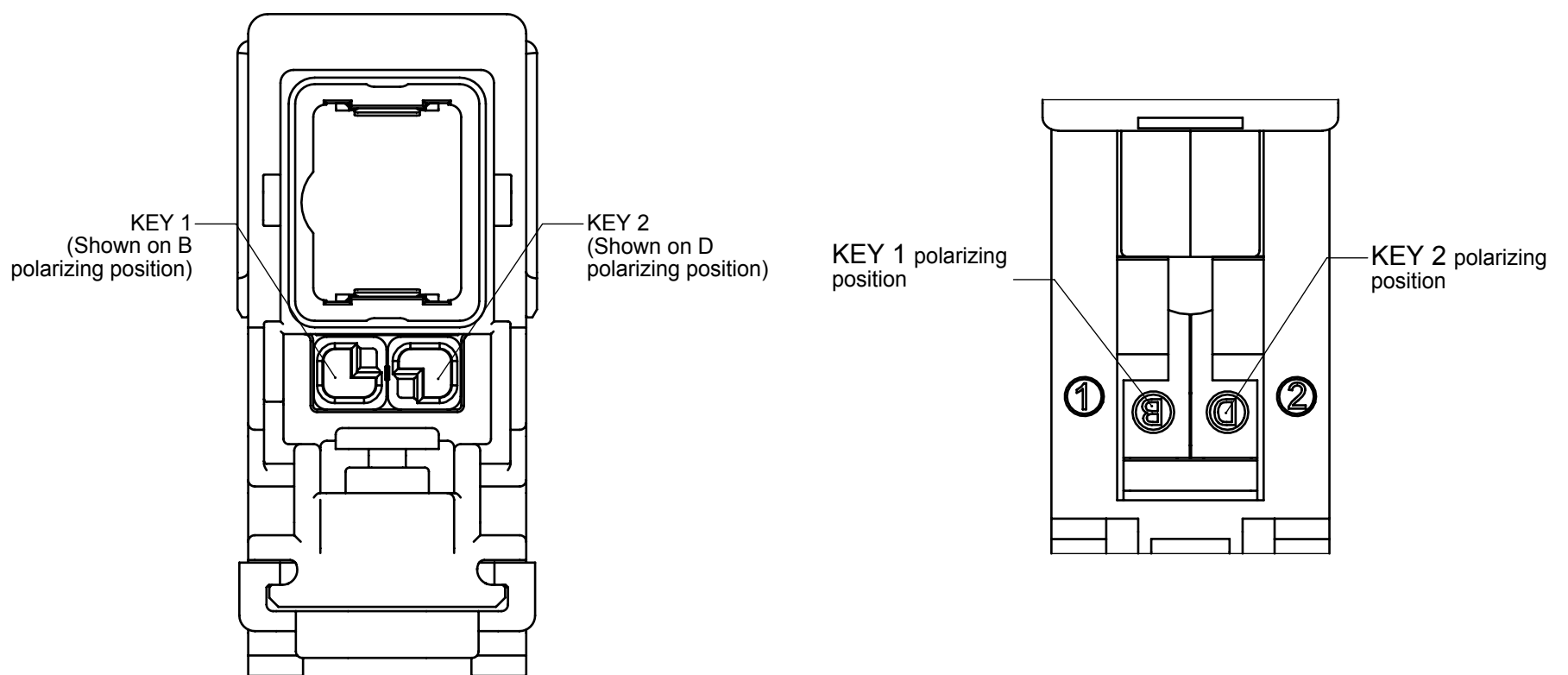
CREATION				
PEN:	2008-11-2158			
NOM:	MOYON S.			
DATE:	Jan 11, 2013	Feb. 13, 2014	Comment about BOEING patent added.	MONTIER A. LEGLOAHEC Y.
APPR.:	SOURDILLON G	Feb. 27, 2013	TDS updated adding polarizing table on page 2.	VIEIRA D. LEGLOAHEC Y.
		Issue	Revisions	Name Approved

Radiall S.A. is licensed by Boeing Intellectual Property Licensing Company, a subsidiary of The Boeing Company, to utilize certain Boeing patented technologies in this product

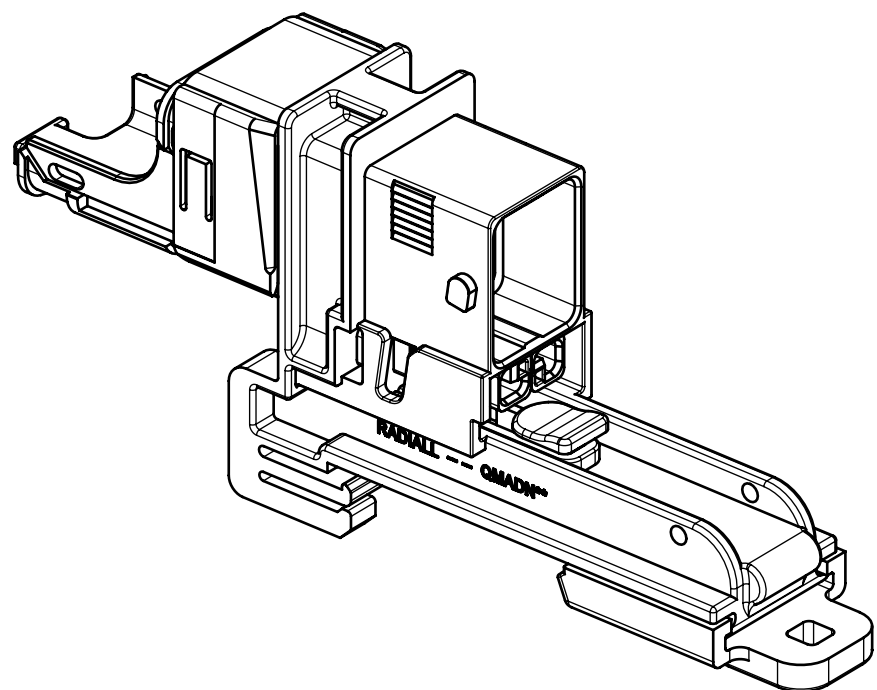
**MATERIALS & FINISHES :**

PLUG SHELL : Nickel plated high grade thermoplastic.  
 STRAIN RELIEF : Nickel plated high grade thermoplastic.  
 STRAIN RELIEF LATCH : High grade thermoplastic.  
 RAIL LOCKING DEVICE : High grade thermoplastic.  
 SPRING : Stainless steel.  
 INSERT RETENTION CLIP : Beryllium copper alloy.  
 POLARIZATION KEYS : High grade thermoplastic.  
 DUST CAP : Thermoplastic elastomer.

**RECEPTACLE SHELL POLARIZATION :**



RADIALL P/ N	KEY 1	KEY 2
QMADN	uninstalled	
QMADN 00	without keys	
QMADN AA	A	A
QMADN AB	A	B
QMADN AC	A	C
QMADN AD	A	D
QMADN BA	B	A
QMADN BB	B	B
QMADN BC	B	C
QMADN BD	B	D
QMADN CA	C	A
QMADN CB	C	B
QMADN CC	C	C
QMADN CD	C	D
QMADN DA	D	A
QMADN DB	D	B
QMADN DC	D	C
QMADN DD	D	D



Each polarizing key has four polarizing positions (A,B,C and D). The polarizing code corresponds to the combination of 2 letters which can be read directly on lower side of the connector.

# Mouser Electronics

Authorized Distributor

Click to View Pricing, Inventory, Delivery & Lifecycle Information:

[Radial:](#)

[QMADN](#)