

**SC**

**MULTIMODE FIBER OPTIC CONNECTOR**

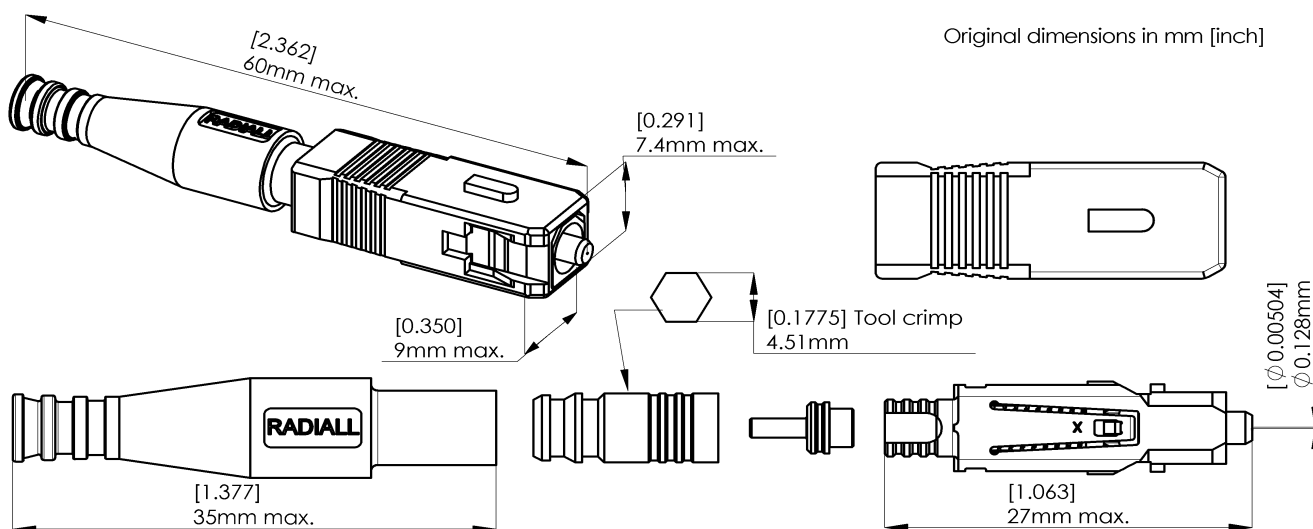
outer plug body and boot : color beige

Packaging :  
**1**

**F 7 2 8 0 0 3 7 0 0**

Packaging :  
**100**

**F 7 2 8 1 0 3 7 0 0**



Original dimensions in mm [inch]

**GENERAL**

**Type** : IEC 61754-4 type SC  
Multimode zirconia ceramic ferrule (20mm pre-radius)  
Push-pull latching system  
Floating ferrule  
360° tunable (adjustable to 6 positions for optimization of random insertion loss)

**Ferrule size** : 128µm  
**Fiber size** : 50/125; 62,5/125µm multimode

**Cable** : DIA 2,7 to 3mm cable, tight or semi loose structure

**Cabling proc.** : Refer to 503 08 400 (D 6121 oe) assembly instruction manual

**CHARACTERISTICS** (Dependant on fiber or cable construction)

**Optical** : Attenuation at 850 and 1310nm with LED source, at EMD condition

		<b>STD</b>		
	mean	< 0,20 dB		(Attenuation plug mated with reference plug IEC 61300-3-4)
	standard deviation	0,08 dB		
	max.	< 0,75dB, 95%		(Attenuation of random mated connectors IEC 61300-3-4)
	mean	0,25 dB		
	Repeatability	0,10 dB		(Maximum loss variation, IEC 61300-2-2)
	Return loss	>20 dB		(IEC 61300-3-6)

**Mechanical** : Mechanical endurance 200 matings  
Cable retention 100N  
**Environmental** : Temperature range (storage/operating) -40°C to +85°C / -40°C to +70°C

(Performance and specification: see document GEN - F728 001)

<b>CREATION</b>						<b>RADIALL</b> 101, rue P. Hoffmann - Z.I. Ouest 93116 ROSNY / BOIS Cedex-France Phone : (0033) 149353535 Fax : (0033) 48546363	
N° :							
PEN/EP : CAT.							
Name : PB							
Date : 11 Aug. 99							
App. : LV	Issue	Revisions	Name	App.			

# Mouser Electronics

Authorized Distributor

Click to View Pricing, Inventory, Delivery & Lifecycle Information:

[Radial:](#)

[F728003700](#)