



RADIAL®
Fibre Optic Components

TECHNICAL DATA SHEET

F 709 034 706

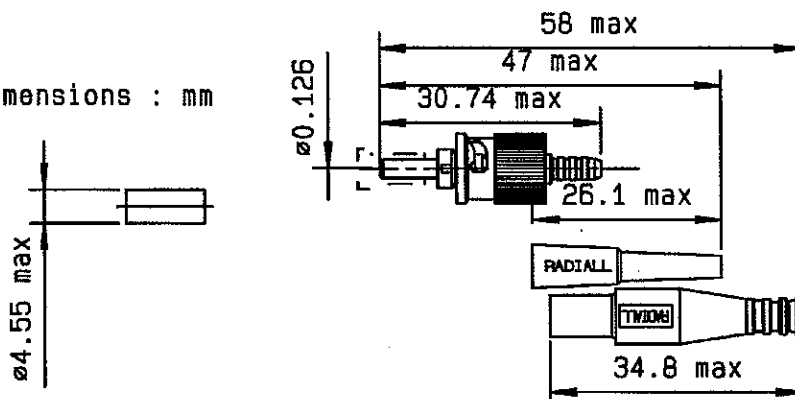
Titre: ST2 SINGLEMODE PLUG ø126µm CERAMIC FERRULE CABLE ø3 MAX

Series F709	Issue: 06-04-00	Page 1/1
----------------	--------------------	-------------

PACKAGING : SINGLE

mm to inch : 0.03937

Dimensions : mm



BOOT :
- COLOUR BLACK
- INFLAMMABILITY : V1 (UL94)

BODY :
- BRASS
- NICKEL PLATED

GENERAL

- TYPE :** - IEC 1754-2 Type BFOC/2.5 - 'ST2'
- Ceramic Zirconia ferrule 20mm pre-radius
- Bayonet latching system
- FIBRE :** - Singlemode 8.5/125
- CABLE :** - Cable ø2.7 to 3 mm (Hex. 3.84)
- WIRING :** ASSEMBLY PROCEDURE 503 08 390
- For a tight cable ø2 with aramid strength member and a coated fiber ø0.9 :
----- See procedure F709PC02
 - For a loose cable ø3 with aramid strength member, a tube ø0.6/1 and a
coated fiber ø0.25 :-----See procedure F709PC30
 - For a coated fiber ø0.9 :-----See procedure F709PC01
 - For a coated fiber ø0.25 inside a tube ø0.6/1 :-----See procedure F709PC32

CHARACTERISTICS

(Depending on fibre or cable construction)

OPTICAL: Typical insertion loss (IEC 1300-3-4, Methode B or CECC 86000 Methode 7) with adaptor F709730000 at 1300 nm

- Typical : 0.25 dB
- Standard deviation : 0.11 dB
- Reproducibility ; 0.05 dB

Return loss (IEC 61300-3-6 Methode B or CECC Methode 3, OTDR) :
- >30 dB (PC)

- MECHANICAL :**
- Mating life : 500 mating cycles
 - Fibre retention : 5 N
 - Cable retention : 100 N
 - Vibrations : 10-55Hz, 1.5 mm

ENVIRONMENTAL:- Climatic category : 25/70/4 0.2 dB

CREATION

N° : EPF 9752
Name : CAUSSE C
Date : 10-23-98
Verif.: VALENCIA

06/04/00	Change of protective cap	Lahera R	
03-17-99	ASSEMBLY PROCEDURE REFERENCE	VALENCIA	
10-23-98	First issue	VALENCIA	
Issue	Revisions	Name	Approved

Mouser Electronics

Authorized Distributor

Click to View Pricing, Inventory, Delivery & Lifecycle Information:

[Radial:](#)

[F709034706](#)