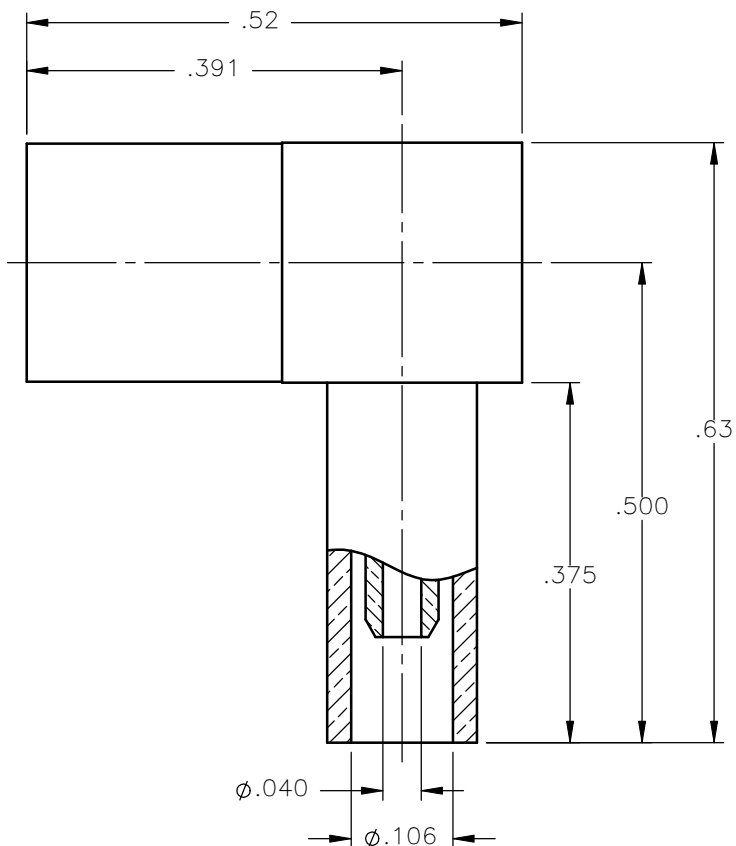


REVISIONS			
REV.	DESCRIPTION	DATE	APPROVED
A	ECN #7736	10/08/09	A.D.M.



NOTES:


MATERIALS:

1. INSULATORS = VIRGIN WHITE TEFLON PER ASTM D1710, GRADE 1, TYPE I, CLASS "B".
2. CONTACT & SPRING = BERYLLIUM COPPER PER ASTM B196, ALLOY C17300, TEMPER TD04.
3. SLEEVE = BRASS PER ASTM B16, ALLOY C36000, TEMPER H02, BRASS 75-82 ROCKWELL "B" TENSILE STRENGTH 55-65 KPSI.
4. CRIMP SLEEVE = SEAMLESS LOWLEAD BRASS TUBE, ALLOY 330, SOFT ANNEAL TEMPER, .025/.060 GRAIN SIZE OR SEAMLESS COPPER TUBE PER ASTM B75, TYPE C12000, TEMPER: LIGHT ANNEAL O50 EXCEPT YIELD STRENGTH.
5. ALL OTHER METAL PARTS = BRASS PER ASTM B16, ALLOY C36000, TEMPER H02.

FINISHES:

1. CONTACT = GOLD PLATE PER MIL-G-45204, TYPE II, CLASS 1, GRADE C, OVER .00010 TO .00020 STRESS FREE SULFAMATE NICKEL PER QQ-N-290.
2. ALL OTHER METAL PARTS = NICKEL PLATE PER QQ-N-290, CLASS 1, GRADE G, EXCEPT .0001 TO .0002 THICK OVER .00005 TO .0001 THICK COPPER PER MIL-C-14550.

Property of Radiall Incorporated  
This document cannot be reproduced or communicated to a third party without prior written permission of RADIALL Incorporated.

UNLESS OTHERWISE SPECIFIED DIMENSIONS ARE IN INCHES TOLERANCES ON	DWN:	DATE	 <b>APPLIED ENGINEERING PRODUCTS</b> 104 John W. Murphy Dr. New Haven, CT 06513 a RADIALL company		
	A.D.M.	10/08/09			
DECIMAL	ANGLE	CHKD:	DATE		
		M.J.	10/08/09		
		APVD:	DATE		
		J.M.	10/08/09		
REFERENCE:	MATERIALS & FINISHES:	SIZE	FSCM NO.	DWG NO.	REV
ORIGINATED: D.N. DATE: 10/08/01	SEE NOTES	A	19505	2105-7521-105	A
		SCALE 5:1	THIRD ANGLE PROJECTION		SHEET 1 OF 1

2105-7521-105

# Mouser Electronics

Authorized Distributor

Click to View Pricing, Inventory, Delivery & Lifecycle Information:

Radial:

[2105-7521-105](tel:2105-7521-105)