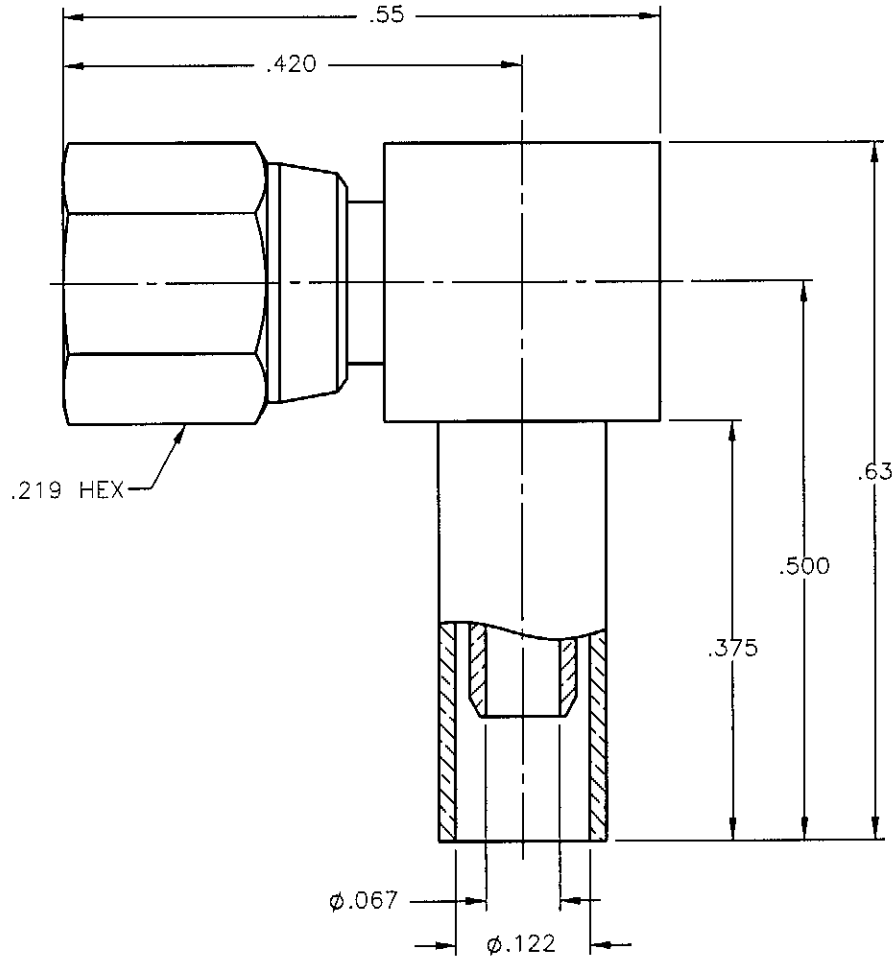


REVISIONS			
REV.	DESCRIPTION	DATE	APPROVED
A	ECO #7518	03/25/09	A.D.M.



NOTES:


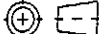
MATERIALS:

1. INSULATORS = VIRGIN WHITE TEFLON PER ASTM D1710, GRADE 1, TYPE I, CLASS "B".
2. CONTACT = BERYLLIUM COPPER PER ASTM B196, ALLOY C17300, TEMPER TD04.
3. CRIMP SLEEVE = SEAMLESS LOWLEAD BRASS TUBE, ALLOY 330, SOFT ANNEAL TEMPER, .025/.060 GRAIN SIZE OR SEAMLESS COPPER TUBE PER ASTM B75, TYPE C12000, TEMPER: LIGHT ANNEAL O50 EXCEPT YIELD STRENGTH.
4. ALL OTHER METAL PARTS = BRASS PER ASTM B16, ALLOY C36000, TEMPER H02.

FINISHES:

1. CONTACT = GOLD PLATE PER MIL-G-45204, TYPE II, CLASS 1, GRADE C, OVER .00010 TO .00020 STRESS FREE SULFAMATE NICKEL PER QQ-N-290.
2. ALL OTHER METAL PARTS = GOLD PLATE PER MIL-G-45204, TYPE II, CLASS 0, GRADE C, OVER .00010 TO .00020 COPPER STRIKE PER MIL-C-14550.

Property of Radiall Incorporated
This document cannot be reproduced or
communicated to a third party without prior
written permission of RADIALL Incorporated.

UNLESS OTHERWISE SPECIFIED DIMENSIONS ARE IN INCHES TOLERANCES ON		DWN: A.D.M.	DATE 03/25/09	 APPLIED ENGINEERING PRODUCTS 104 John W. Murphy Dr. New Haven, CT 06513 a RADIALL company
DECIMAL	ANGLE	CHKD: D.N.	DATE 03/25/09	
		APVD: J.M.	DATE 03/25/09	
REFERENCE:		MATERIALS & FINISHES: SEE NOTES		SMC RIGHT ANGLE FEMALE PLUG CRIMP TYPE FOR RG-316 & SIMILAR CABLES
ORIGINATED: D.N. DATE: 03/25/00		SIZE A	FSCM NO. 19505	DWG NO. 1105-1521-003 THIRD ANGLE PROJECTION 
		SCALE 6:1		REV A SHEET 1 OF 1

1105-1521-003

Mouser Electronics

Authorized Distributor

Click to View Pricing, Inventory, Delivery & Lifecycle Information:

Radial:

[1105-1521-003](#)