

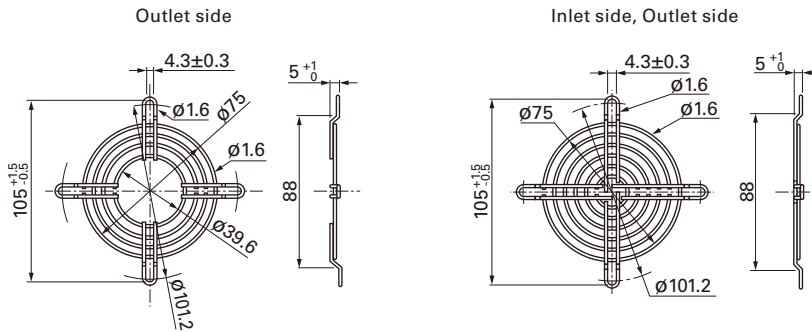
## Finger guards Dimensions (unit: mm)

Increases safety by preventing foreign objects from entering fans. Fans can be used with little effect on airflow and static pressure. For use in environments subject to water splashes, cation electroplating models are recommended.

### 80 mm sq. type

Model no.	Surface treatment	Mass (g)
109-049C	Nickel-chrome plating (silver)	17

Model no.	Surface treatment	Mass (g)
109-049E	Nickel-chrome plating (silver)	21
109-049H	Cation electroplating (black)	



## Mounting example

### Axial fan

