

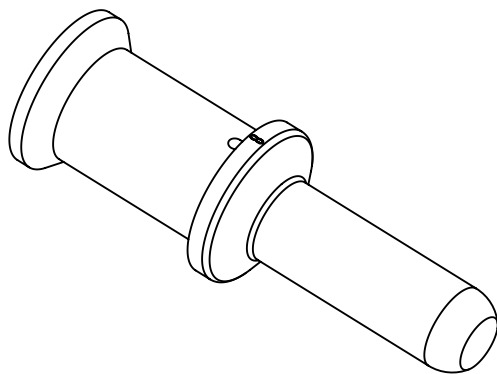
assembly notes see catalog

crimp zone acc.to DIN EN 46235; indicator 8

for stranded fine wire acc.to VDE 0295 class 5/IEC 60228 class 5

wire gauge: 16 mm²

stripping length: 15,5 mm



	All Dimensions in mm Original Size DIN A4	Scale	Free size tol.		Ref.	
		2:1			Sub.	
	All rights reserved Department EL PD	Created by	Inspected by	Standardisation	Date	State
		RULLKOETTER	SCHNIEDER	SCHMIDTM	2015-01-09	Final Release
HARTING Electric GmbH & Co. KG D-32339 Espelkamp		Title Han TC70 Stiftkontakt 16sqmm				Doc-Key / ECM-Nr. 100180793/UGD/008/A 500000083148
		Type	Number		Rev.	Page
		TB	09 11 000 6132		A	1/1