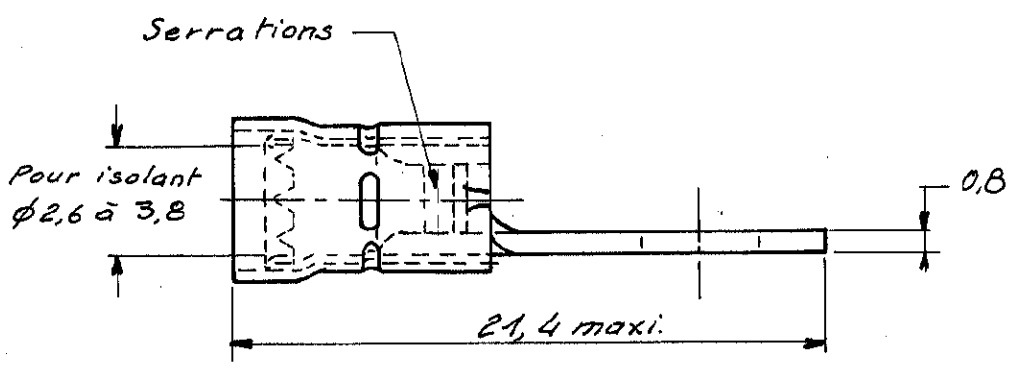
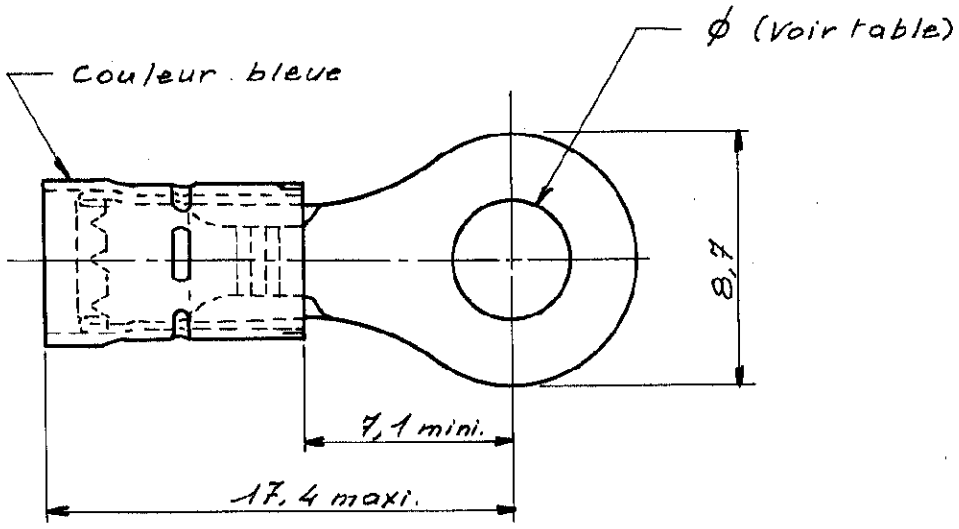


NUMBER  
C.130662



INACTIF	130663	5,2	5
	130662	3,1	3
	Numéros	φ	φ Borne

DIMENSIONS IN MM DO NOT SCALE PRINT.

© 19 BY AMP INCORPORATED. ALL RIGHTS RESERVED. AMP PRODUCTS COVERED BY PATENTS AND/OR PATENTS PENDING.

**CUSTOMER COPY  
REFERENCE ONLY**

MATERIAL AND FINISH  
*Cuivre recuit étamé*



CLASS

WIRE — RANGE — INSULATION  
*16-14*

TYPE *P.I.D.G. Nylon*

TOLERANCE EXCEPT AS NOTED  
± .015 ± 1° 0'

LOC **A** NO **C.130662** REV **B**

NAME **COSSE A PLAGÉ RONDE**

**B** Revised GR 03/96

**A** 130662.0 INACTIF FID M/92

LTR REVISION RECORD DR CHK DATE

DR GRAND.M. 20.3.66 DE

CHK APP