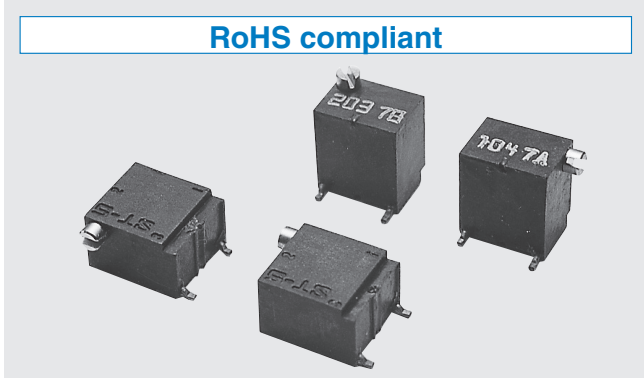


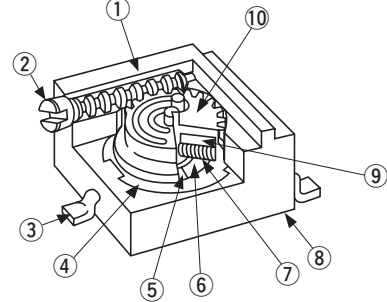
**RoHS compliant**



**FEATURES**

- RoHS compliant
- Precise adjustment is possible
- Automatic mounting is possible (Taping)
- Flow/reflow soldering is possible
- Sealed construction (Washable: Refer to page 698.)

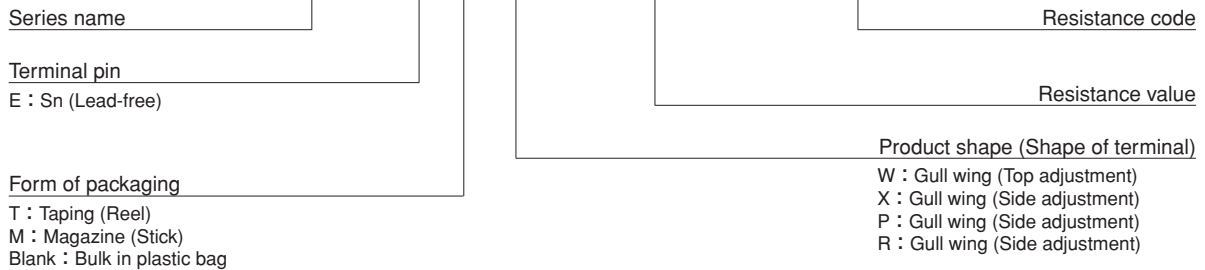
**INTERNAL STRUCTURE**



	Part name	Material	Flammability	
①	Housing	Polyphenylenesulphide	UL94V-0	
②	Shaft	Brass, Nickel-plated	—	
③	Terminal pin	Copper, Tin-plated		
④	Base element	Ceramic		
⑤	Electrode	Ag-Pd cermet		
⑥	Resistive element	RuO <sub>2</sub> cermet		
⑦	Wiper	Multi metal alloy		
⑧	Adhesive	Epoxy		
⑨	Rubber cushion	Silicone rubber		
⑩	Rotor gear	Polyamide		UL94HB

**PART NUMBER DESIGNATION**

**S T - 5 E T W 5 0 0 Ω ( 5 0 1 )**



※ Please refer to the LIST OF PART NUMBERS when placing orders.

# ST-5

## SURFACE MOUNT TRIMMERS

### LIST OF PART NUMBERS

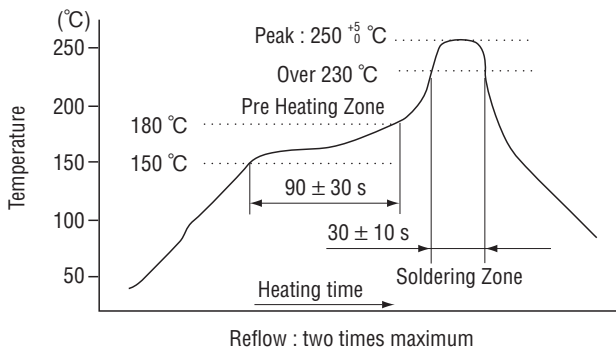
Adjustment position	Shape of terminal	Form of packaging		
		Taping (reel)	Magazine (stick)	Plastic bag
Top adjustment	W (Gull wing)	ST-5ETW	ST-5EMW	ST-5EW
Side adjustment	X (Gull wing)	ST-5ETX	ST-5EMX	ST-5EX
	P (Gull wing)	ST-5ETP	ST-5EMP	ST-5EP
	R (Gull wing)	ST-5ETR	ST-5EMR	ST-5ER
Pieces in package		500 pcs./reel	50 pcs./stick	50 pcs./pack

The products indicated by ↗ mark are manufactured upon receipt of order basis.

### ELECTRICAL CHARACTERISTICS

Nominal resistance range	10 Ω ~ 2 M Ω
Resistance tolerance	± 10 %
Power ratings	0.25 W (85 °C) 0 W (120 °C)
Resistance law	(B) Linear law
Maximum input voltage	DC200 V or power rating, whichever is smaller
Maximum wiper current	100 mA or power rating, whichever is smaller
Effective electrical turn	11 turns
End resistance	1 % or 2 Ω , whichever is greater
C.R.V.	1 % or 3 Ω , whichever is greater
Operating temp. range	- 55 ~ 120 °C
Temp. coefficient	10 Ω ~ 50 Ω : ± 250 10 <sup>-6</sup> /°C maximum 100 Ω ~ 2 M Ω : ± 100 10 <sup>-6</sup> /°C maximum
Insulation resistance	1000 M Ω minimum (DC500 V)
Dielectric strength	AC600 V, 60 s
Net weight	Approx. 0.35 g

### <Reflow profile for soldering heat evaluation>



### <Nominal resistance values>

↗10 Ω	↗20 Ω	50 Ω	100 Ω	200 Ω	500 Ω	1 k Ω	2 k Ω	5 k Ω
10 k Ω	20 k Ω	50 k Ω	100 k Ω	200 k Ω	500 k Ω	1 M Ω	2 M Ω	

Fig. 1

※ The above part numbers are all available with the respective combination of <Nominal resistance values> (Fig. 1).

※ Verify the above part numbers when placing orders.

※ Taping and magazine specifications are not sold separately and must be purchased in reel or stick units.

### MECHANICAL CHARACTERISTICS

Mechanical turn	14 turns
Operating torque	20 mN·m {204 gf·cm} maximum
Mechanical stop	Clutch action
Rotational life	200 cycles 10 Ω ~ 200 Ω [ Δ R/R ≤ ± (0.5 Ω + 3 %)] 500 Ω ~ 2 M Ω [ Δ R/R ≤ ± (0.5 Ω + 2 %)]
Thrust to shaft	5 N {0.51 kgf} minimum
Solderability	245 ± 3 °C, 2 ~ 3 s
Shear (Adhesion)	5 N {0.51 kgf} 10 s
Substrate bending	Width 90 mm, bend 3 mm, 5 s, 1 time
Pull-off strength	5 N {0.51 kgf} 10 s

{ } : Reference only

### ENVIRONMENTAL CHARACTERISTICS

Test item	Test conditions	Specifications
Thermal shock	- 65 ~ 125 °C (0.5 h), 5 cycles	[ Δ R/R ≤ 1 %] [S.S. ≤ 1 %]
Humidity	- 10 ~ 65 °C (80 ~ 98 %), 10 cycles, 240 h	[ Δ R/R ≤ 1 %]
Shock	981 m/s <sup>2</sup> , 6 ms 6 directions for 3 times each	[ Δ R/R ≤ 1 %] [S.S. ≤ 1 %]
Vibration	(Amplitude) 1.52 mm or (Acceleration) 196 m/s <sup>2</sup> , 10 ~ 2000 Hz, 3 directions, 12 times each	
Load life	85 °C, 0.25 W, 1000 h	[ Δ R/R ≤ 2 %] [S.S. ≤ 1 %]
Low temp. operation	- 55 °C, 2 h	[ Δ R/R ≤ 2 %] [S.S. ≤ 2 %]
High temp. exposure	120 °C, 250 h	[ Δ R/R ≤ 2 %] [S.S. ≤ 2 %]
Immersion seal	85 °C, 60 s	No leaks (No continuous bubbles)
Soldering heat	Flow : 260 ± 3 °C as the temperature in a pot of molten solder, immersion from head of terminal to backside of board, 5 ~ 6 s, two times maximum Reflow : Peak temperature 255 °C (Please refer to the profile below.) Manual soldering : 350 ± 10 °C, 3 ~ 4 s	[ Δ R/R ≤ 1 %]

Δ R/R : Change in total resistance  
S.S. : Setting stability

### MAXIMUM INPUT RATINGS

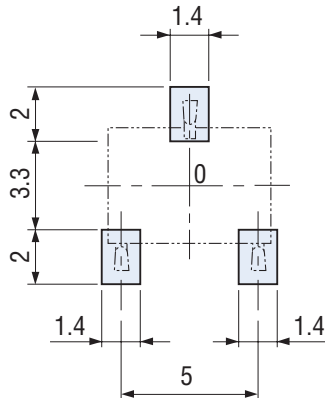
Nominal resistance values ( $\Omega$ )	Resistance code	Maximum input voltage (V)	Maximum wiper current (mA)
➔ 10	100	1.00	100
➔ 20	200	2.00	100
50	500	3.53	70.7
100	101	5.00	50.0
200	201	7.07	35.4
500	501	11.2	22.4
1 k	102	15.8	15.8
2 k	202	22.4	11.2
5 k	502	35.4	7.07
10 k	103	50.0	5.00
20 k	203	70.7	3.54
50 k	503	112	2.24
100 k	104	158	1.58
200 k	204	200	1.00
500 k	504	200	0.40
1 M	105	200	0.20
2 M	205	200	0.10

The products indicated by ➔ mark are manufactured upon receipt of order basis.

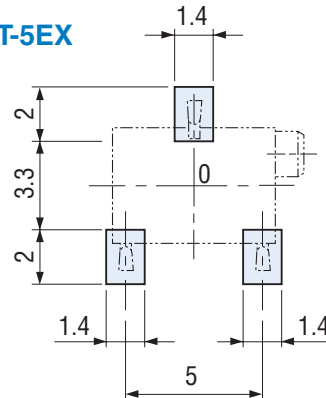
### RECOMMENDED P.C.B. PAD OUTLINE DIMENSIONS

(Unit: mm)

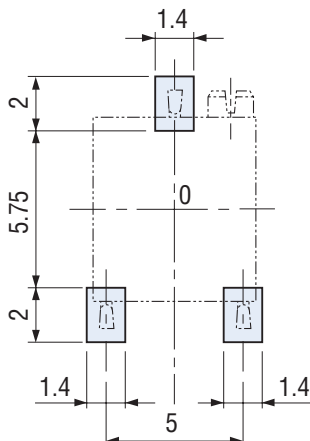
#### ST-5EW



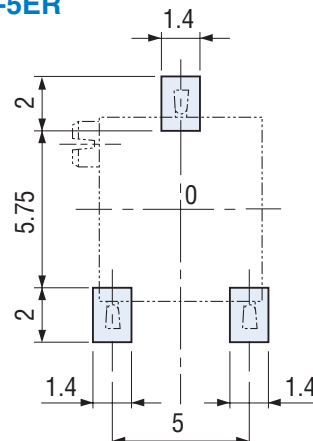
#### ST-5EX



#### ST-5EP



#### ST-5ER



Note) The zero point is the center of mounting.

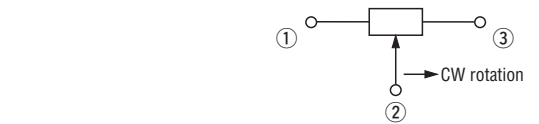
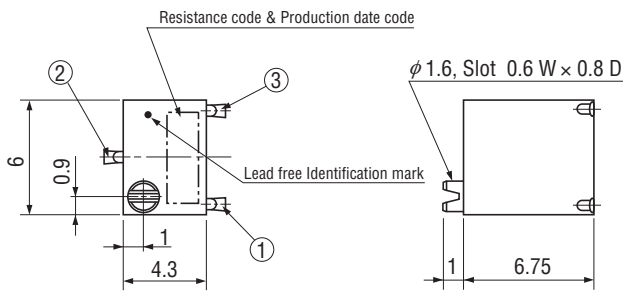
# ST-5

## SURFACE MOUNT TRIMMERS

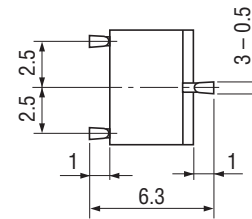
### OUTLINE DIMENSIONS

Unless otherwise specified, tolerance :  $\pm 0.3$  (Unit: mm)

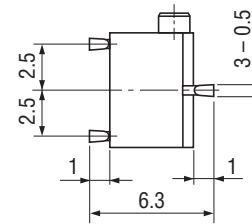
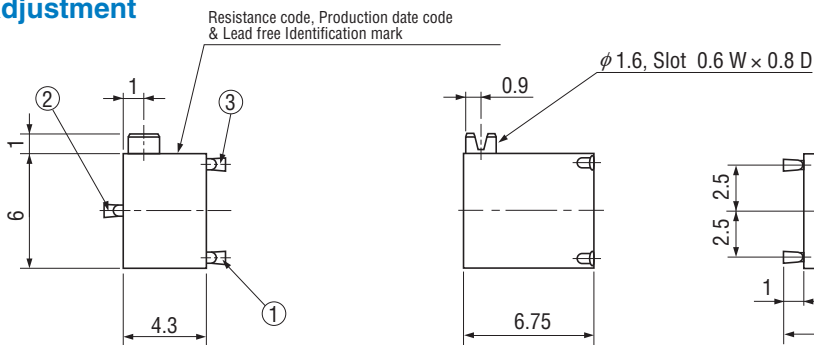
#### ST-5EW Top adjustment



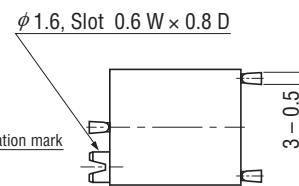
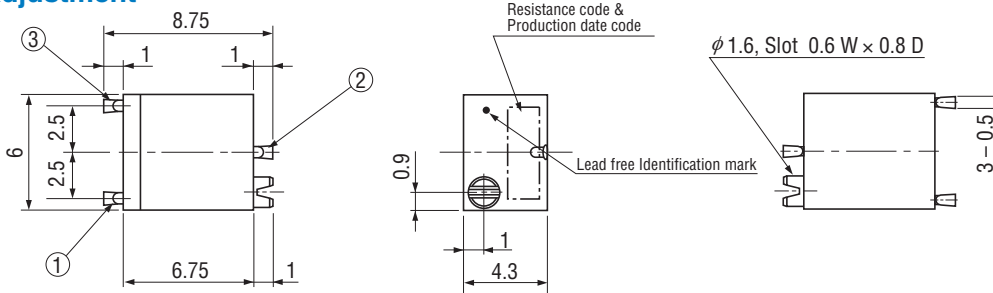
※ Note the terminal position.



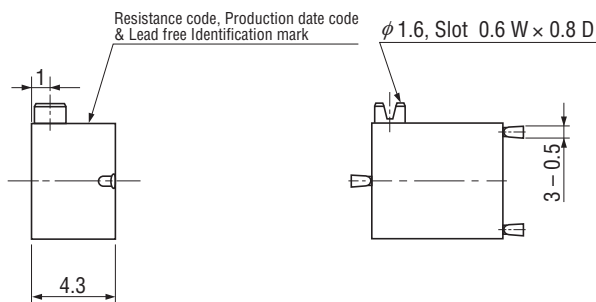
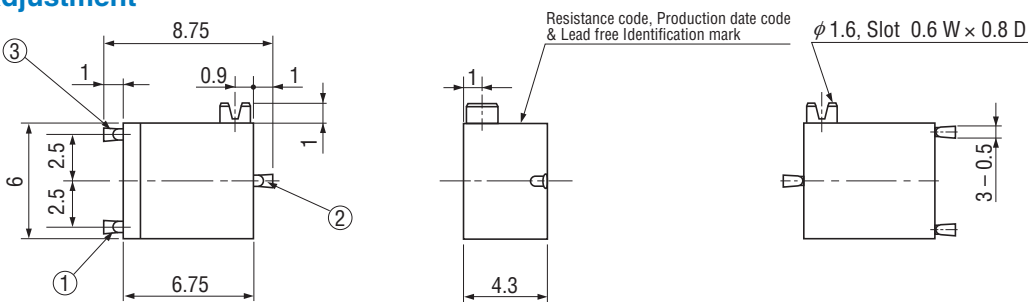
#### ST-5EX Side adjustment



#### ST-5EP Side adjustment



#### ST-5ER Side adjustment



# ST-5

## SURFACE MOUNT TRIMMERS

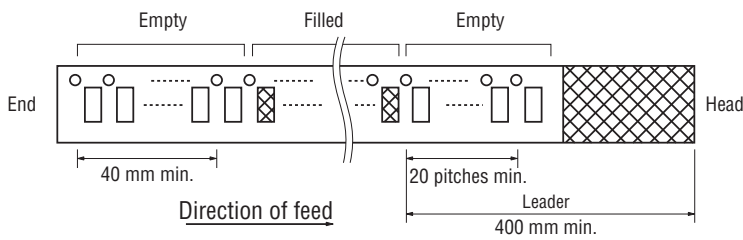
### PACKAGING SPECIFICATIONS

#### <Taping packaging specifications>

- Taping version is packaged in 500 pcs. per reel.  
Orders will be accepted for units of 500 pcs., i.e., 500, 1000, 1500 pcs., etc.
- Taping version is boxed with one reel (500 pcs.).

Maximum number of consecutive missing pieces = 2  
Leader length and reel dimension are shown in the diagrams below.

### EMBOSSED TAPE DIMENSIONS

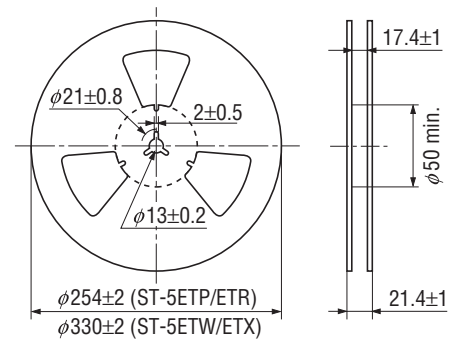


### REEL DIMENSIONS

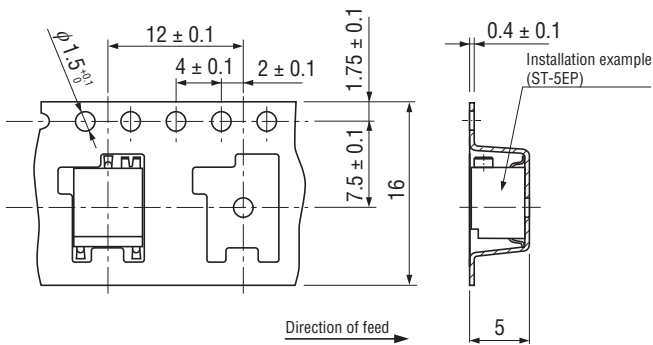
(Conforms to JIS C 0806-3)

(In accordance with EIAJ ET-7200A)

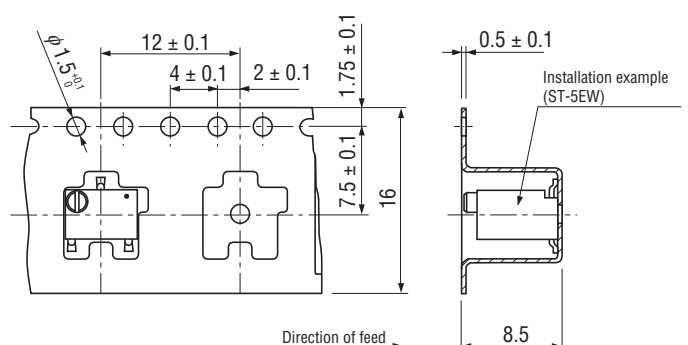
(Unit: mm)



### ST-5ETP/ETR



### ST-5ETW/ETX



# ST-5

## SURFACE MOUNT TRIMMERS

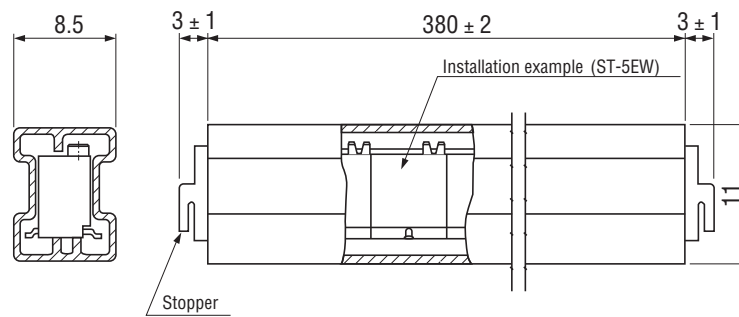
---

### <Magazine packaging specifications>

- Magazine is packed 50 pcs. per stick.  
Orders will be accepted for units of 50 pcs., i.e., 50, 100, 150 pcs., etc.
- Magazines are packed 2000 pcs. per box.

### ● Magazine dimensions

(Unit: mm)



### <Bulk pack specifications>

- Unit of bulk in a plastic bag is 50 pcs. per pack.
- Boxing of bulk in a plastic bag is performed with 200 pcs. per box.

# Mouser Electronics

Authorized Distributor

Click to View Pricing, Inventory, Delivery & Lifecycle Information:

## Nidec:

[ST-5ETW503](#) [ST-5ETP103](#) [ST-5ETW203](#) [ST-5ETP104](#) [ST-5ETP503](#) [ST-5ETW103](#) [ST-5ETX103](#) [ST-5ETW104](#)  
[ST-5ETW202](#) [ST-5ETW502](#) [ST-5ETW102](#) [ST-5ETP203](#) [ST-5ETW501](#) [ST-5ETP102](#) [ST-5EMP503](#) [ST-5EMP504](#)  
[ST-5EMR100](#) [ST-5EMR101](#) [ST-5EMR102](#) [ST-5EMR103](#) [ST-5EMR104](#) [ST-5EMR105](#) [ST-5EMR200](#) [ST-5EMR201](#)  
[ST-5EMR202](#) [ST-5EMR203](#) [ST-5EMR204](#) [ST-5EMR205](#) [ST-5EMR500](#) [ST-5EMR501](#) [ST-5EMR502](#) [ST-5EMR503](#)  
[ST-5EMR504](#) [ST-5EMW100](#) [ST-5EMW101](#) [ST-5EMW102](#) [ST-5EMW103](#) [ST-5EMW104](#) [ST-5EMW105](#) [ST-](#)  
[5EMW200](#) [ST-5EMW201](#) [ST-5EMW202](#) [ST-5EMW203](#) [ST-5EMW204](#) [ST-5EMW205](#) [ST-5EMW500](#) [ST-5EMW501](#)  
[ST-5EMW502](#) [ST-5EMW503](#) [ST-5EMW504](#) [ST-5EMX100](#) [ST-5EMX101](#) [ST-5EMX102](#) [ST-5EMX103](#) [ST-5EMX104](#)  
[ST-5EMX105](#) [ST-5EMX200](#) [ST-5EMX201](#) [ST-5EMX202](#) [ST-5EMX203](#) [ST-5EMX204](#) [ST-5EMX205](#) [ST-5EMX500](#)  
[ST-5EMX501](#) [ST-5EMX502](#) [ST-5EMX503](#) [ST-5EMX504](#) [ST-5EP100](#) [ST-5EP101](#) [ST-5EP102](#) [ST-5EP103](#) [ST-](#)  
[5EP104](#) [ST-5EP105](#) [ST-5EP200](#) [ST-5EP201](#) [ST-5EP202](#) [ST-5EP203](#) [ST-5EP204](#) [ST-5EP205](#) [ST-5EP500](#) [ST-](#)  
[5EP501](#) [ST-5EP502](#) [ST-5EP503](#) [ST-5EP504](#) [ST-5ER100](#) [ST-5ER101](#) [ST-5ER102](#) [ST-5ER103](#) [ST-5ER104](#) [ST-](#)  
[5ER105](#) [ST-5ER200](#) [ST-5ER201](#) [ST-5ER202](#) [ST-5ER203](#) [ST-5ER204](#) [ST-5ER205](#) [ST-5ER500](#) [ST-5ER501](#) [ST-](#)  
[5ER502](#) [ST-5ER503](#)