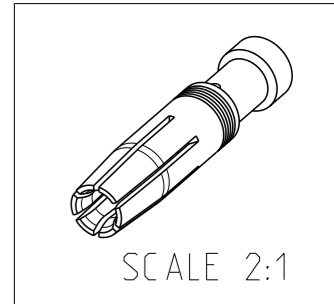
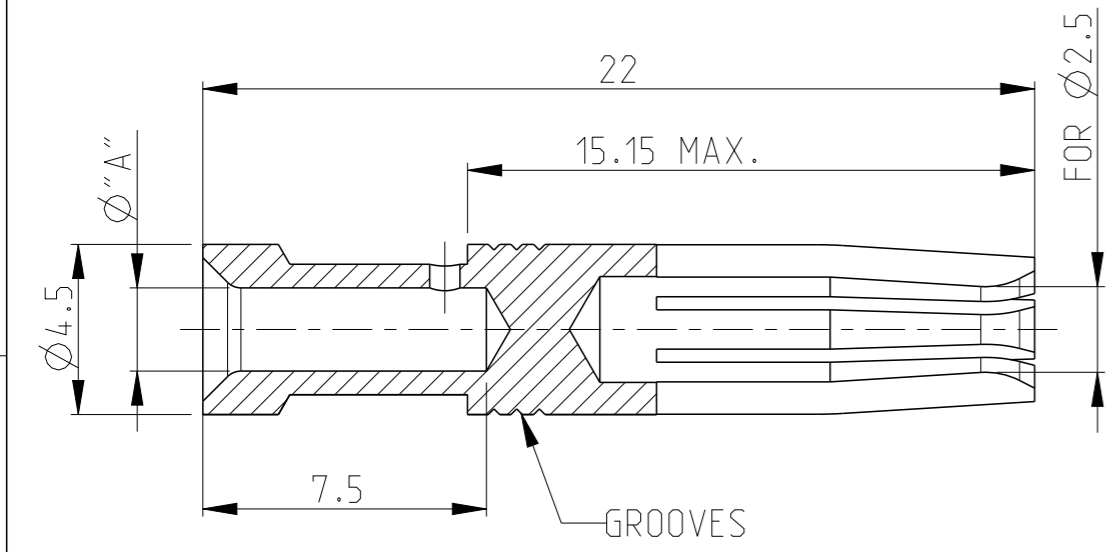


THIS DRAWING IS UNPUBLISHED. RELEASED FOR PUBLICATION 2006  
 © COPYRIGHT 2006 BY - ALL RIGHTS RESERVED.

| LOC | DIST | REVISIONS   |                           |           |        |
|-----|------|-------------|---------------------------|-----------|--------|
| P   | LTR  | DESCRIPTION | DATE                      | DWN       | APVD   |
| A1  | -    | J4          | REVISED PER ECO-11-005030 | 24MAR2011 | RK HMR |
|     |      | J5          | ECR-15-003938             | 26MAR2015 | RK MKO |
|     |      | J6          | ECR-16-016696             | 15SEP2017 | GA MKO |
|     |      | J7          | ECR-16-016780             | 15NOV2017 | GR MKO |



Notes

- 1 MATERIAL: BRASS
- 2 FINISH SILVER PLATING: 2 µm Ag MIN. OVER Cu
- 3 FINISH GOLD PLATING: 0.75 µm Au MIN. OVER Ni
- 4 FINISH TIN PLATING: 0.6 µm Sn. MIN. OVER Cu
- 5 VENTILATION HOLE PRESENT ON ALL PARTS
- 6 WEIGHT: 0.00160 kg, PER PIECE (APPROX.)
- 7 PACKAGING: 50 PIECES IN POLYBAG
- 8 PACKAGING: 500 PIECES IN POLYBAG & CARTON
- 9 PACKAGING: 20000 PIECES IN POLYBAGS & CARTONS
- 10 SUITABLE PIN CONTACT: PN 1105100
- 11 SUITABLE INSERTS: SERIES HA, HE, HVE, HVS
- 12 SUITABLE CRIMP TOOL: PN 1-1105851-8
- 13 SUITABLE INSERTION TOOL: PN 0-1102855-6
- 14 SUITABLE EXTRACTION TOOL: PN 0-1102855-7
- 15 STANDARDS: DIN EN 61984, DIN EN 60664-1
- 16 OBSOLETE

|  |          | 7                  | 8    | 9             |                   |                   |            |
|--|----------|--------------------|------|---------------|-------------------|-------------------|------------|
| HE/HA-C-Bu.Sn 4,0mm <sup>2</sup>       | TIN 4    | 4.0                | 2.8  | -             | -                 | <del>5-0</del> 16 | 5-3        |
| HE/HA-C-Bu.Sn 2,5mm <sup>2</sup>       |          | 2.5                | 2.2  | 3             | -                 | 4-0               | 4-3        |
| HE/HA-C-Bu.Sn 1,5mm <sup>2</sup>       |          | 1.5                | 1.7  | 2             | -                 | 3-0               | 3-3        |
| HE/HA-C-Bu.Au 4,0mm <sup>2</sup>       | GOLD 3   | 4.0                | 2.8  | -             | 5-2               | <del>5-9</del> 16 | -          |
| HE/HA-C-Bu.Au 2,5mm <sup>2</sup>       |          | 2.5                | 2.2  | 3             | 4-2               | <del>4-9</del> 16 | -          |
| HE/HA-C-Bu.Au 1,5mm <sup>2</sup>       |          | 1.5                | 1.7  | 2             | 3-2               | <del>3-9</del> 16 | -          |
| HE/HA-C-Bu.Au 0,75-1,0mm <sup>2</sup>  |          | 0.75-1.0           | 1.4  | 1             | 2-2               | <del>2-9</del> 16 | -          |
| HE/HA-C-Bu.Au 0,5mm <sup>2</sup>       |          | 0.5                | 1.1  | -             | 1-2               | <del>1-9</del> 16 | -          |
| HE/HA-C-Bu.Au 0,14-0,37mm <sup>2</sup> |          | 0.14-0.37          | 0.9  | 3             | 6-2               | <del>6-9</del> 16 | -          |
| HE/HA-C-Bu.Ag 4,0mm <sup>2</sup>       | SILVER 2 | 4.0                | 2.8  | -             | 5-1               | <del>5-8</del> 16 | -          |
| HE/HA-C-Bu.Ag 2,5mm <sup>2</sup>       |          | 2.5                | 2.2  | 3             | 4-1               | <del>4-8</del> 16 | -          |
| HE/HA-C-Bu.Ag 1,5mm <sup>2</sup>       |          | 1.5                | 1.7  | 2             | 3-1               | <del>3-8</del> 16 | -          |
| HE/HA-C-Bu.Ag 0,75-1,0mm <sup>2</sup>  |          | 0.75-1.0           | 1.4  | 1             | 2-1               | <del>2-8</del> 16 | -          |
| HE/HA-C-Bu.Ag 0,5mm <sup>2</sup>       |          | 0.5                | 1.1  | -             | 1-1               | <del>1-8</del> 16 | -          |
| HE/HA-C-Bu.Ag 0,14-0,37mm <sup>2</sup> |          | 0.14-0.37          | 0.9  | 3             | <del>6-1</del> 16 | <del>6-8</del> 16 | -          |
|  |          | [MM <sup>2</sup> ] | "A"  | NO.OF GROOVES | P.U.=50           | P.U.=500          | P.U.=20000 |
| ORDERING TEXT                          | PLATING  | CROSS SECTION      | DIMS | MARKINGS      | BAG               | BOX               | BOX        |
| PARTS LIST                             |          |                    |      |               |                   |                   |            |

|   |  |                              |                                   |                 |
|---|--|------------------------------|-----------------------------------|-----------------|
| THIS DRAWING IS A CONTROLLED DOCUMENT.  |  | DWN G.WROBLEWSKI 20SEP2007   | TE Connectivity                   |                 |
|   |  | CHK H.BRAUN 20SEP2007        |                                   |                 |
| DIMENSIONS: mm<br>  |  | APVD T. SCHNURPFIL 20SEP2007 | NAME                              |                 |
| TOLERANCES UNLESS OTHERWISE SPECIFIED:<br>ISO 8075<br>DIN ISO 2768 mH-E<br>DIN 16901-120<br>0 PLC ±<br>1 PLC ±<br>2 PLC ±<br>3 PLC ±<br>4 PLC ±<br>ANGLES ± |  | PRODUCT SPEC 108-74004       | SOCKET CONTACT SERIES HA, HE, HVE |                 |
| MATERIAL 1  |  | FINISH 2 3 4                 | APPLICATION SPEC 114-74003        | RESTRICTED TO   |
|   |  | WEIGHT -                     | SIZE A3                           | CAGE CODE 00779 |
|   |  | Customer Drawing             | DRAWING NO C=1105101              | SCALE 5:1       |
|   |  |                              | SHEET 1 OF 1                      | REV J7          |

# Mouser Electronics

Authorized Distributor

Click to View Pricing, Inventory, Delivery & Lifecycle Information:

[TE Connectivity:](#)

[1-1105101-2](#)