

1°C Multiple Temperature Sensor with HW Thermal Shutdown & Hottest of Thermal Zones

PRODUCT FEATURES

Data Sheet

General Description

The EMC1428 is a high accuracy, low cost, System Management Bus (SMBus) temperature sensor. Advanced features such as Resistance Error Correction (REC), Beta Compensation (to CPU diodes requiring the BJT or transistor model) and automatic diode type detection combine to provide a robust solution for complex environmental monitoring applications.

Additionally, the EMC1428 provides a hardware programmable system shutdown feature that is programmed at part power-up via a single TRIP_SET voltage channel that cannot be masked or corrupted through the SMBus.

The EMC1428 provides $\pm 1^\circ$ accuracy for external diode temperatures and $\pm 2^\circ\text{C}$ accuracy for the internal diode temperature. The device monitors up to eight temperature channels (up to seven external and one internal).

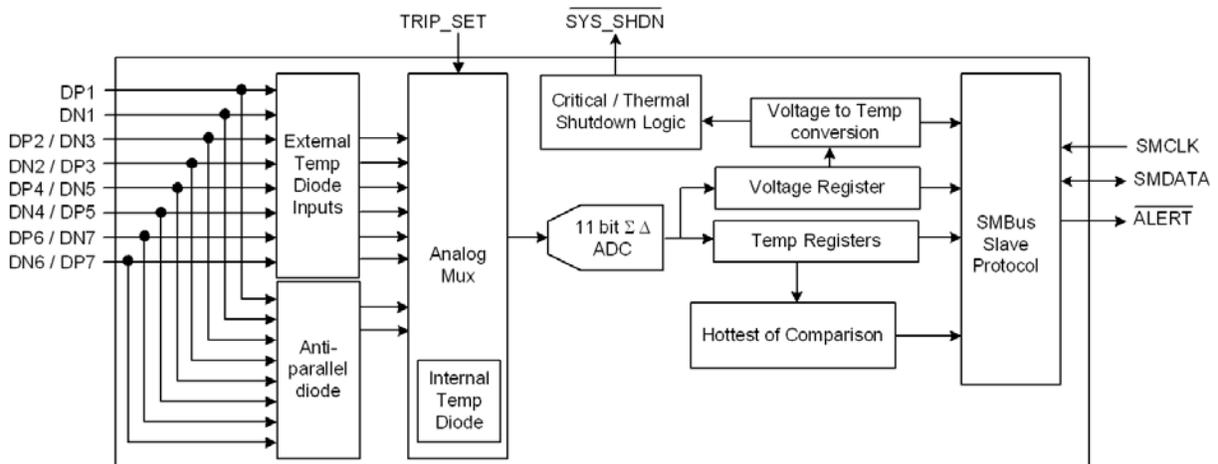
Applications

- Notebook Computers
- Desktop Computers
- Industrial
- Embedded Applications

Features

- Hardware Thermal Shutdown
 - triggers dedicated $\overline{\text{SYS_SHDN}}$ pin
 - hardware configured range 65°C to 127°C in 1°C steps
 - cannot be disabled or modified by software
- Supports diodes requiring the BJT or transistor model
- Resistance Error Correction (up to 100 Ohms)
- Up to seven External Temperature Monitors
 - $\pm 1^\circ\text{C}$ Accuracy ($60^\circ\text{C} < T_{\text{DIODE}} < 100^\circ\text{C}$)
 - 0.125°C Resolution
 - Supports up to 2.2nF filter capacitor
 - Anti-parallel diodes for extra diode support and compact design
- Internal Temperature Monitor
 - $\pm 2^\circ\text{C}$ accuracy
- 3.3V Supply Voltage
- Available in a 16-pin 4mm x 4mm QFN RoHS Compliant package
- Programmable temperature limits for $\overline{\text{ALERT}}$

Block Diagram



Data Sheet

ORDER NUMBERS:

| ORDERING NUMBER | PACKAGE | FEATURES | DIODE MODES SUPPORTED | SMBUS ADDRESS |
|---------------------|--------------------------------|--|-----------------------|---|
| EMC1428-1-AP-TR | 16-pin QFN (RoHS Compliant) | Up to 7 external diodes. "Hottest Of" temperature comparison. Hardware set Critical / Thermal shutdown, ALERT output | Intel CPU and 3904 | 1001_100(r/w) |
| EMC1428-6-AP-TR | 16-pin QFN (RoHS Compliant) | Up to 7 external diodes. "Hottest Of" temperature comparison. Hardware set Critical / Thermal shutdown, ALERT output | Intel CPU and 3904 | 1001_101(r/w) |
| EMC1428-7-AP-TR-CB7 | 16-pin QFN (RoHS Compliant) | Up to 7 external diodes. "Hottest Of" temperature comparison. Hardware set Critical / Thermal shutdown, ALERT output | Intel CPU and 3904 | Selected by <u>pull-up resistor</u> on SYS_SHDN pin |

Reel Size is 4,000 pieces

This product meets the halogen maximum concentration values per IEC61249-2-21**TO OUR VALUED CUSTOMERS**

It is our intention to provide our valued customers with the best documentation possible to ensure successful use of your Microchip products. To this end, we will continue to improve our publications to better suit your needs. Our publications will be refined and enhanced as new volumes and updates are introduced.

If you have any questions or comments regarding this publication, please contact the Marketing Communications Department via E-mail at docerrors@microchip.com. We welcome your feedback.

Most Current Data Sheet

To obtain the most up-to-date version of this data sheet, please register at our Worldwide Web site at:

<http://www.microchip.com>

You can determine the version of a data sheet by examining its literature number found on the bottom outside corner of any page. The last character of the literature number is the version number, (e.g., DS30000000A is version A of document DS30000000).

Errata

An errata sheet, describing minor operational differences from the data sheet and recommended workarounds, may exist for current devices. As device/documentation issues become known to us, we will publish an errata sheet. The errata will specify the revision of silicon and revision of document to which it applies.

To determine if an errata sheet exists for a particular device, please check with one of the following:

- Microchip's Worldwide Web site; <http://www.microchip.com>
- Your local Microchip sales office (see last page)

When contacting a sales office, please specify which device, revision of silicon and data sheet (include -literature number) you are using.

Customer Notification System

Register on our web site at www.microchip.com to receive the most current information on all of our products.

Table of Contents

| | |
|---|-----------|
| Chapter 1 Pin Description | 7 |
| Chapter 2 Electrical Specifications | 9 |
| 2.1 Absolute Maximum Ratings | 9 |
| 2.2 Electrical Specifications | 9 |
| 2.3 SMBus Electrical Characteristics | 11 |
| Chapter 3 System Management Bus Interface Protocol | 12 |
| 3.1 System Management Bus Interface Protocol | 12 |
| 3.2 Write Byte | 12 |
| 3.3 Read Byte | 13 |
| 3.4 Send Byte | 13 |
| 3.5 Receive Byte | 13 |
| 3.6 Alert Response Address | 13 |
| 3.7 SMBus Address | 14 |
| 3.8 SMBus Timeout | 14 |
| Chapter 4 Product Description | 15 |
| 4.1 ALERT Output | 16 |
| 4.1.1 ALERT Pin Interrupt Mode | 16 |
| 4.1.2 ALERT Pin Comparator Mode | 16 |
| 4.2 SYS_SHDN Output | 16 |
| 4.3 TRIP_SET Pin | 17 |
| 4.4 Consecutive Alerts | 19 |
| 4.5 Temperature Monitoring | 19 |
| 4.5.1 Resistance Error Correction | 20 |
| 4.5.2 Beta Compensation | 20 |
| 4.5.3 Digital Averaging | 20 |
| 4.5.4 "Hottest Of" Comparison | 20 |
| 4.5.5 Conversion Rates | 21 |
| 4.5.6 Dynamic Averaging | 21 |
| 4.6 Diode Connections | 21 |
| 4.6.1 Diode Faults | 22 |
| Chapter 5 Register Description | 23 |
| 5.1 Data Read Interlock | 28 |
| 5.2 Temperature Data Registers | 28 |
| 5.3 Status Register | 30 |
| 5.4 Configuration Register | 30 |
| 5.5 Conversion Rate Register | 31 |
| 5.6 Limit Registers | 32 |
| 5.7 Therm Hysteresis Register | 35 |
| 5.8 Therm Limit Registers | 35 |
| 5.9 External Diode Fault Register | 36 |
| 5.10 TRIP_SET Reading Register | 36 |
| 5.11 Software Thermal Shutdown Configuration Register | 36 |
| 5.12 Hardware Critical / Thermal Shutdown Limit Register | 37 |
| 5.13 Channel Interrupt Mask Register | 37 |

| | |
|--|-----------|
| 5.14 Consecutive ALERT Register | 38 |
| 5.15 Beta Configuration Register | 40 |
| 5.16 Hottest Temperature Registers | 41 |
| 5.17 Hottest Temperature Status Register | 41 |
| 5.18 High Limit Status Register | 42 |
| 5.19 Low Limit Status Register | 43 |
| 5.20 THERM Limit Status Register | 43 |
| 5.21 REC Configuration Register | 44 |
| 5.22 Hottest Configuration Register | 44 |
| 5.23 Channel Configuration Register | 45 |
| 5.24 Filter Control Register | 46 |
| 5.25 Product ID Register | 46 |
| 5.26 Manufacturer ID Register (FEh) | 46 |
| 5.27 Revision Register (FFh) | 47 |
| <hr/> | |
| Chapter 6 Package Information | 48 |
| 6.1 EMC1428 Package Drawing | 48 |
| 6.2 Package Markings | 50 |
| 6.2.1 EMC1428-X-AP (16-Pin QFN) | 50 |
| <hr/> | |
| Chapter 7 Data Sheet Revision History | 51 |

List of Figures

| | | |
|------------|--|----|
| Figure 1.1 | EMC1428 Pin Diagram | 7 |
| Figure 3.1 | SMBus Timing Diagram | 12 |
| Figure 4.1 | System Diagram for EMC1428 | 15 |
| Figure 4.2 | Block Diagram of Hardware Thermal Shutdown | 17 |
| Figure 4.3 | Vset Circuit | 18 |
| Figure 4.4 | Diode Connections | 22 |
| Figure 6.1 | 16-Pin QFN 4mm x 4mm Package Dimensions | 48 |
| Figure 6.2 | 16-Pin QFN 4mm x 4mm Package Drawing | 49 |
| Figure 6.3 | 16-Pin QFN 4mm x 4mm PCB Footprint | 50 |

List of Tables

| | | |
|------------|--|----|
| Table 1.1 | EMC1428 Pin Description | 7 |
| Table 1.2 | Pin Type | 8 |
| Table 2.1 | Absolute Maximum Ratings | 9 |
| Table 2.2 | Electrical Specifications | 9 |
| Table 2.3 | SMBus Electrical Specifications | 11 |
| Table 3.1 | Protocol Format | 12 |
| Table 3.2 | Write Byte Protocol | 12 |
| Table 3.3 | Read Byte Protocol | 13 |
| Table 3.4 | Send Byte Protocol | 13 |
| Table 3.5 | Receive Byte Protocol | 13 |
| Table 3.6 | Alert Response Address Protocol | 14 |
| Table 3.7 | Address Select Decode on $\overline{\text{SYS_SHDN}}$ Pin | 14 |
| Table 4.1 | V_{TRIP} Resistor Settings | 18 |
| Table 4.2 | Supply Current vs. Conversion Rate for EMC1428 | 21 |
| Table 5.1 | Register Set in Hexadecimal Order | 23 |
| Table 5.2 | Temperature Data Registers | 28 |
| Table 5.3 | Temperature Data Format | 29 |
| Table 5.4 | Status Register | 30 |
| Table 5.5 | Configuration Register | 30 |
| Table 5.6 | Conversion Rate Register | 31 |
| Table 5.7 | Conversion Rate | 31 |
| Table 5.8 | Maximum Conversion Rate Per Temperature Channels | 32 |
| Table 5.9 | Temperature Limit Registers | 32 |
| Table 5.10 | Therm Hysteresis Register | 35 |
| Table 5.11 | Therm Limit Registers | 35 |
| Table 5.12 | External Diode Fault Register | 36 |
| Table 5.13 | TRIP_SET Reading Register | 36 |
| Table 5.14 | Software Thermal Shutdown Configuration Register | 36 |
| Table 5.15 | Hardware Thermal Shutdown Limit Register | 37 |
| Table 5.16 | Channel Interrupt Mask Register | 37 |
| Table 5.17 | Consecutive ALERT Register | 38 |
| Table 5.18 | Consecutive Alert Settings | 39 |
| Table 5.19 | Beta Configuration Register | 40 |
| Table 5.20 | Beta Compensation Look Up Table | 40 |
| Table 5.21 | Hottest Temperature Registers | 41 |
| Table 5.22 | Hottest Temperature Register | 41 |
| Table 5.23 | High Limit Status Register | 42 |
| Table 5.24 | Low Limit Status Register | 43 |
| Table 5.25 | THERM Limit Status Register | 43 |
| Table 5.26 | REC Configuration Register | 44 |
| Table 5.27 | Hottest Configuration Register | 44 |
| Table 5.28 | Channel Configuration Register | 45 |
| Table 5.29 | Filter Control Register | 46 |
| Table 5.30 | Product ID Register | 46 |
| Table 5.31 | Manufacturer ID Register | 46 |
| Table 5.32 | Revision Register | 47 |
| Table 7.1 | Revision History | 51 |

Chapter 1 Pin Description

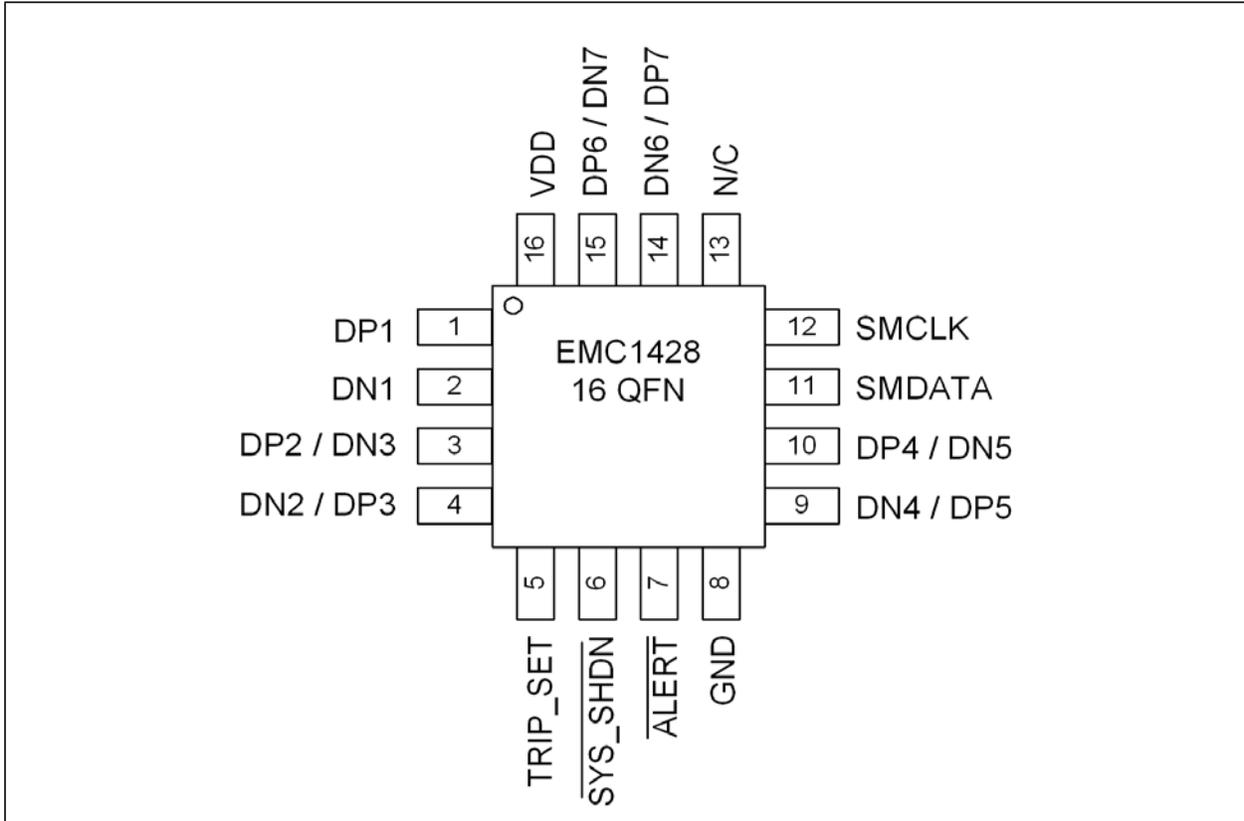


Figure 1.1 EMC1428 Pin Diagram

Table 1.1 EMC1428 Pin Description

| PIN NUMBER | NAME | FUNCTION | TYPE |
|------------|-----------|---|------|
| 1 | DP1 | DP1 - External Diode 1 positive (anode) connection. | AIO |
| 2 | DN1 | External Diode 1 negative (cathode) connection. | AIO |
| 3 | DP2 / DN3 | External Diode 2 positive (anode) connection and External Diode 3 negative (cathode) connection | AIO |
| 4 | DN2 / DP3 | External diode 2 negative (cathode) connection and External Diode 3 positive (anode) connection | AIO |
| 5 | TRIP_SET | Voltage input to set Critical / Thermal Shutdown temperature | AIO |

Table 1.1 EMC1428 Pin Description (continued)

| PIN NUMBER | NAME | FUNCTION | TYPE |
|------------|-------------------------------|---|-----------|
| 6 | $\overline{\text{SYS_SHDN}}$ | Active low System Shutdown output signal - requires pull-up resistor EMC1428-7 - The pull-up resistor is used to determine SMBus address | OD (5V) |
| 7 | $\overline{\text{ALERT}}$ | Active low interrupt - requires pull-up resistor | OD (5V) |
| 8 | GND | Ground Connection | Power |
| 9 | DN4 / DP5 | External diode 4 negative (cathode) connection and External Diode 5 positive (anode) connection | AIO |
| 10 | DP4 / DN5 | External Diode 4 positive (anode) connection and External Diode 5 negative (cathode) connection | AIO |
| 11 | SMDATA | SMBus Data input/output - requires pull-up resistor | DIOD (5V) |
| 12 | SMCLK | SMBus Clock input - requires pull-up resistor | DI (5V) |
| 13 | N/C | Not used - connect to Ground - see EMC1428 Anomaly Sheet | n/a |
| 14 | DN6 / DP7 | External diode 6 negative (cathode) connection and External Diode 7 positive (anode) connection | AIO |
| 15 | DP6 / DN7 | External Diode 6 positive (anode) connection and External Diode 7 negative (cathode) connection | AIO |
| 16 | VDD | Power supply | Power |

The pin types are described below. All pins labelled (5V) are 5V tolerant.

APPLICATION NOTE: For the 5V tolerant pins that have a pull-up resistor, the voltage difference between VDD and the pull-up voltage must never exceed 3.6V.

Table 1.2 Pin Type

| PIN TYPE | FUNCTION |
|----------|--|
| Power | Used to supply either VDD or GND to the device |
| DI | 5V tolerant digital input |
| OD | 5V tolerant Open drain digital output. Requires a pull-up resistor |
| DIOD | 5V tolerant bi-directional digital input / open-drain output. Requires a pull-up resistor. |
| AIO | Analog input / output used for external diodes or analog inputs |

Chapter 2 Electrical Specifications

2.1 Absolute Maximum Ratings

Table 2.1 Absolute Maximum Ratings

| DESCRIPTION | RATING | UNIT |
|--|--------------------------------|------|
| Supply Voltage (V_{DD}) | -0.3 to 4.0 | V |
| Voltage on 5V tolerant pins (V_{5VT_pin}) | -0.3 to 5.5 | V |
| Voltage on 5V tolerant pins ($ V_{5VT_pin} - V_{DD} $) (see Note 2.1) | -0.3 to 3.6 | V |
| Voltage on any other pin to Ground | -0.3 to $V_{DD} + 0.3$ | V |
| Operating Temperature Range | -40 to +125 | °C |
| Storage Temperature Range | -55 to +150 | °C |
| Lead Temperature Range | Refer to JEDEC Spec. J-STD-020 | |
| Package Thermal Characteristics for QFN-16 | | |
| Thermal Resistance (θ_{j-a}) | 50 | °C/W |
| ESD Rating, All pins HBM | 2000 | V |

Note: Stresses at or above those listed could cause permanent damage to the device. This is a stress rating only and functional operation of the device at any other condition above those indicated in the operation sections of this specification is not implied. When powering this device from laboratory or system power supplies, it is important that the Absolute Maximum Ratings not be exceeded or device failure can result. Some power supplies exhibit voltage spikes on their outputs when the AC power is switched on or off. In addition, voltage transients on the AC power line may appear on the DC output. If this possibility exists, it is suggested that a clamp circuit be used.

Note 2.1 For the 5V tolerant pins that have a pull-up resistor, the pull-up voltage must not exceed 3.6V when the device is unpowered.

2.2 Electrical Specifications

Table 2.2 Electrical Specifications

| $V_{DD} = 3.0V$ to $3.6V$, $T_A = -40^\circ C$ to $125^\circ C$, all typical values at $T_A = 27^\circ C$ unless otherwise noted. | | | | | | |
|---|----------|-----|-----|-----|-------|------------|
| CHARACTERISTIC | SYMBOL | MIN | TYP | MAX | UNITS | CONDITIONS |
| DC Power | | | | | | |
| Supply Voltage | V_{DD} | 3.0 | 3.3 | 3.6 | V | |

Table 2.2 Electrical Specifications (continued)

| V _{DD} = 3.0V to 3.6V, T _A = -40°C to 125°C, all typical values at T _A = 27°C unless otherwise noted. | | | | | | |
|--|---------------------|-----|-------|------|-------|---|
| CHARACTERISTIC | SYMBOL | MIN | TYP | MAX | UNITS | CONDITIONS |
| Supply Current | I _{DD} | | 450 | 600 | uA | 1 conversion / sec, dynamic averaging disabled |
| Supply Current | I _{DD} | | 900 | 1200 | uA | 4 conversions / sec, dynamic averaging enabled |
| Internal Temperature Monitor | | | | | | |
| Temperature Accuracy | | | ±0.25 | ±1 | °C | 0°C < T _A < 100°C |
| | | | | | ±2 | °C |
| Temperature Resolution | | | 0.125 | | °C | |
| External Temperature Monitor | | | | | | |
| Temperature Accuracy | | | ±0.25 | ±1 | °C | +40°C < T _{DIODE} < +110°C 0°C < T _A < 110°C |
| | | | | | ±0.5 | °C |
| Temperature Resolution | | | 0.125 | | °C | |
| Conversion Time all Channels | t _{CONV} | | 190 | | ms | default settings |
| Capacitive Filter | C _{FILTER} | | 2.2 | 2.7 | nF | Connected across external diode |
| Resistance Error Correction | R _{SERIES} | | | 100 | Ω | In series with DP and DN lines |
| TRIP_SET Measurement | | | | | | |
| Decoded Temperature Accuracy | T _{SET} | | | 0.5 | °C | R _{SET} = 1% resistor (see Note 2.2) |
| $\overline{\text{ALERT}}$ and $\overline{\text{SYS_SHDN}}$ pins | | | | | | |
| Output Low Voltage | V _{OL} | | | 0.4 | V | I _{SINK} = 8mA |
| Leakage Current | I _{LEAK} | | | ±5 | uA | powered or unpowered T _A < 85°C pull-up voltage ≤ 3.6V |
| Power Up Timing | | | | | | |
| First conversion ready | t _{CONV_f} | | | 300 | ms | Time after power up before all channels updated with valid data |
| SMBus delay | t _{SMB_d} | | | 15 | ms | Delay before SMBus communications should be sent by host |

Note 2.2 If a 1% resistor is used for RSET, then it is guaranteed to decode as shown in [Table 4.1](#).

2.3 SMBus Electrical Characteristics

Table 2.3 SMBus Electrical Specifications

| V _{DD} = 3.0V to 3.6V, T _A = -40°C to 125°C, all typical values are at T _A = 27°C unless otherwise noted. | | | | | | |
|--|-----------------------------------|------|-----|-----------------|-------|---|
| CHARACTERISTIC | SYMBOL | MIN | TYP | MAX | UNITS | CONDITIONS |
| SMBus Interface | | | | | | |
| Input High Voltage | V _{IH} | 2.0 | | V _{DD} | V | 5V Tolerant |
| Input Low Voltage | V _{IL} | -0.3 | | 0.8 | V | 5V Tolerant |
| Input High/Low Current | I _{IH} / I _{IL} | | | ±5 | uA | Powered or unpowered T _A < 85°C |
| Hysteresis | | | 420 | | mV | |
| Input Capacitance | C _{IN} | | 5 | | pF | |
| Output Low Sink Current | I _{OL} | 8.2 | | 15 | mA | SMDATA = 0.4V |
| SMBus Timing | | | | | | |
| Clock Frequency | f _{SMB} | 10 | | 400 | kHz | |
| Spike Suppression | t _{SP} | | | 50 | ns | |
| Bus free time Start to Stop | t _{BUF} | 1.3 | | | us | |
| Hold Time: Start | t _{HD:STA} | 0.6 | | | us | |
| Setup Time: Start | t _{SU:STA} | 0.6 | | | us | |
| Setup Time: Stop | t _{SU:STP} | 0.6 | | | us | |
| Data Hold Time | t _{HD:DAT} | 0.3 | | | us | |
| Data Setup Time | t _{SU:DAT} | 100 | | | ns | |
| Clock Low Period | t _{LOW} | 1.3 | | | us | |
| Clock High Period | t _{HIGH} | 0.6 | | | us | |
| Clock/Data Fall time | t _{FALL} | | | 300 | ns | Min = 20+0.1C _{LOAD} ns |
| Clock/Data Rise time | t _{RISE} | | | 300 | ns | Min = 20+0.1C _{LOAD} ns f _{SMB} > 100kHz |
| Clock/Data Rise time | t _{RISE} | | | 1000 | ns | Min = 20+0.1C _{LOAD} ns f _{SMB} ≤ 100kHz |
| Capacitive Load | C _{LOAD} | | | 400 | pF | per bus line |

Chapter 3 System Management Bus Interface Protocol

3.1 System Management Bus Interface Protocol

The EMC1428 communicate with a host controller, such as a Microchip SIO, through the SMBus. The SMBus is a two-wire serial communication protocol between a computer host and its peripheral devices. A detailed timing diagram is shown in Figure 3.1.

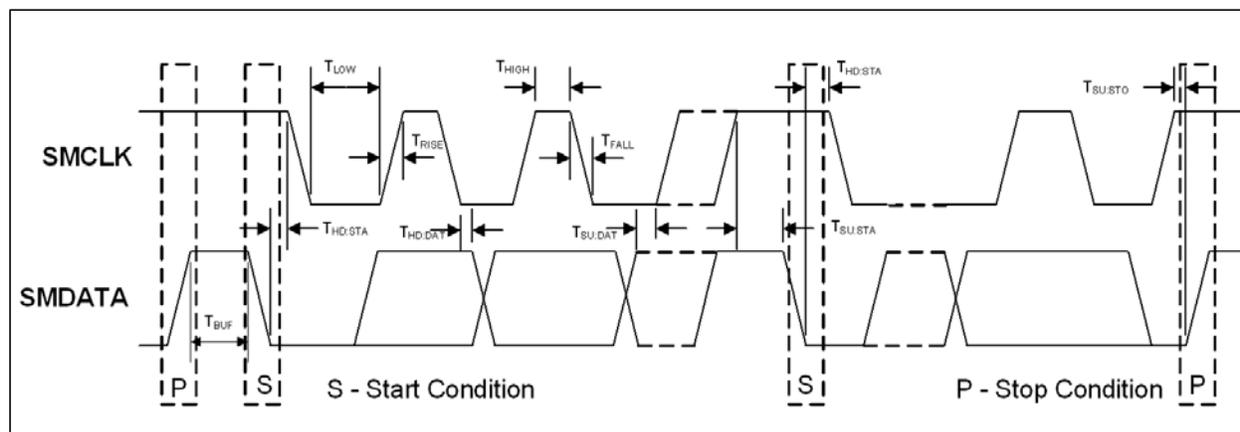


Figure 3.1 SMBus Timing Diagram

The EMC1428 are SMBus 2.0 compatible and support Send Byte, Read Byte, Write Byte, Receive Byte, and the Alert Response Address as valid protocols as shown below.

All of the below protocols use the convention in Table 3.1.

Table 3.1 Protocol Format

| DATA SENT TO DEVICE | DATA SENT TO THE HOST |
|---------------------|-----------------------|
|---------------------|-----------------------|

Attempting to communicate with the EMC1428 SMBus interface with an invalid slave address or invalid protocol will result in no response from the device and will not affect its register contents. Stretching of the SMCLK signal is supported, provided other devices on the SMBus control the timing.

3.2 Write Byte

The Write Byte is used to write one byte of data to the registers as shown below Table 3.2:

Table 3.2 Write Byte Protocol

| START | SLAVE ADDRESS | WR | ACK | REGISTER ADDRESS | ACK | REGISTER DATA | ACK | STOP |
|--------|---------------|----|-----|------------------|-----|---------------|-----|--------|
| 1 -> 0 | 1001_100 | 0 | 0 | XXh | 0 | XXh | 0 | 0 -> 1 |

3.3 Read Byte

The Read Byte protocol is used to read one byte of data from the registers as shown in [Table 3.3](#).

Table 3.3 Read Byte Protocol

| START | SLAVE ADDRESS | WR | ACK | REGISTER ADDRESS | ACK | START | SLAVE ADDRESS | RD | ACK | REGISTER DATA | NACK | STOP |
|-------|---------------|----|-----|------------------|-----|-------|---------------|----|-----|---------------|------|------|
| 1->0 | 1001_100 | 0 | 0 | XXh | 0 | 0->1 | 1001_100 | 1 | 0 | XXh | 1 | 0->1 |

3.4 Send Byte

The Send Byte protocol is used to set the internal address register pointer to the correct address location. No data is transferred during the Send Byte protocol as shown in [Table 3.4](#).

Table 3.4 Send Byte Protocol

| START | SLAVE ADDRESS | WR | ACK | REGISTER ADDRESS | ACK | STOP |
|-------|---------------|----|-----|------------------|-----|------|
| 1->0 | 1001_100 | 0 | 0 | XXh | 0 | 1->0 |

3.5 Receive Byte

The Receive Byte protocol is used to read data from a register when the internal register address pointer is known to be at the right location (e.g. set via Send Byte). This is used for consecutive reads of the same register as shown in [Table 3.5](#).

Table 3.5 Receive Byte Protocol

| START | SLAVE ADDRESS | RD | ACK | REGISTER DATA | NACK | STOP |
|-------|---------------|----|-----|---------------|------|------|
| 1->0 | 1001_100 | 1 | 0 | XXh | 1 | 1->0 |

3.6 Alert Response Address

The $\overline{\text{ALERT}}$ output can be used as a processor interrupt or as an SMBus Alert.

When it detects that the $\overline{\text{ALERT}}$ pin is asserted, the host will send the Alert Response Address (ARA) to the general address of 000_1100b. All devices with active interrupts will respond with their client address as shown in [Table 3.6](#).

Table 3.6 Alert Response Address Protocol

| START | ALERT RESPONSE ADDRESS | RD | ACK | DEVICE ADDRESS | NACK | STOP |
|--------|------------------------|----|-----|----------------|------|--------|
| 1 -> 0 | 0001_100 | 1 | 0 | 1001_1000 | 1 | 1 -> 0 |

The EMC1428 will respond to the ARA in the following way:

1. Send Slave Address and verify that full slave address was sent (i.e. the SMBus communication from the device was not prematurely stopped due to a bus contention event).
2. Set the MASK bit to clear the $\overline{\text{ALERT}}$ pin.

APPLICATION NOTE: The ARA does not clear the Status Register and if the MASK bit is cleared prior to the Status Register being cleared, the $\overline{\text{ALERT}}$ pin will be reasserted.

3.7 SMBus Address

The EMC1428-1 devices respond to the 7-bit slave address 1001_100xb.

The EMC1428-6 will respond to the 7-bit slave address 1001_101xb.

The EMC1428-7 slave address is determined at power up via the pull-up resistor on the $\overline{\text{SYS_SHDN}}$ pin as shown in [Table 3.7](#).

Table 3.7 Address Select Decode on $\overline{\text{SYS_SHDN}}$ Pin

| PULL UP RESISTOR | SMBUS ADDRESS |
|--------------------|---------------|
| 4.7k Ohm $\pm 5\%$ | 1001_000xb |
| 6.8k Ohm $\pm 5\%$ | 1001_001xb |
| 10k Ohm $\pm 5\%$ | 1001_010xb |
| 15k Ohm $\pm 5\%$ | 1001_011xb |
| 22k Ohm $\pm 5\%$ | 1001_100xb |
| 33k Ohm $\pm 5\%$ | 1001_101xb |

Note: Other addresses are available. Contact Microchip for more information.

3.8 SMBus Timeout

The EMC1428 support SMBus Timeout. If the clock line is held low for longer than 30ms, the device will reset its SMBus protocol. This function can be enabled by setting the TIMEOUT bit in the Consecutive Alert Register (see [Section 5.14](#)).

Chapter 4 Product Description

The EMC1428 is an SMBus temperature sensor with Hardware Critical / Thermal Shutdown support. The EMC1428 monitors up to seven (7) external diodes and one internal diode.

Thermal management is performed in cooperation with a host device. This consists of the host reading the temperature data of both the external and internal temperature diodes of the EMC1428 and using that data to control the speed of one or more fans.

The EMC1428 device has two levels of monitoring. The first provides a maskable $\overline{\text{ALERT}}$ signal to the host when measured temperatures meet or exceed user programmable limits. This allows the EMC1428 to be used as an independent thermal watchdog to warn the host of temperature hot spots without constant monitoring by the host.

The second level of monitoring asserts the $\overline{\text{SYS_SHDN}}$ pin when the External Diode 1 temperature meets or exceeds a hardware specified threshold temperature. Additionally, any of the external diode channels can be configured to assert the $\overline{\text{SYS_SHDN}}$ pin when the measured temperature meets or exceeds user programmable limits.

Because the EMC1428 automatically corrects for temperature errors due to series resistance in temperature diode lines, there is greater flexibility in where external diodes are positioned and better measurement accuracy than previously available devices without resistance error correction. As well, the automatic beta detection feature means that there is no need to program the device according to which type of diode is present. Therefore, the device can power up ready to operate for any system configuration including those diodes that require the BJT or transistor model.

Figure 4.1 shows a system level block diagram of the EMC1428.

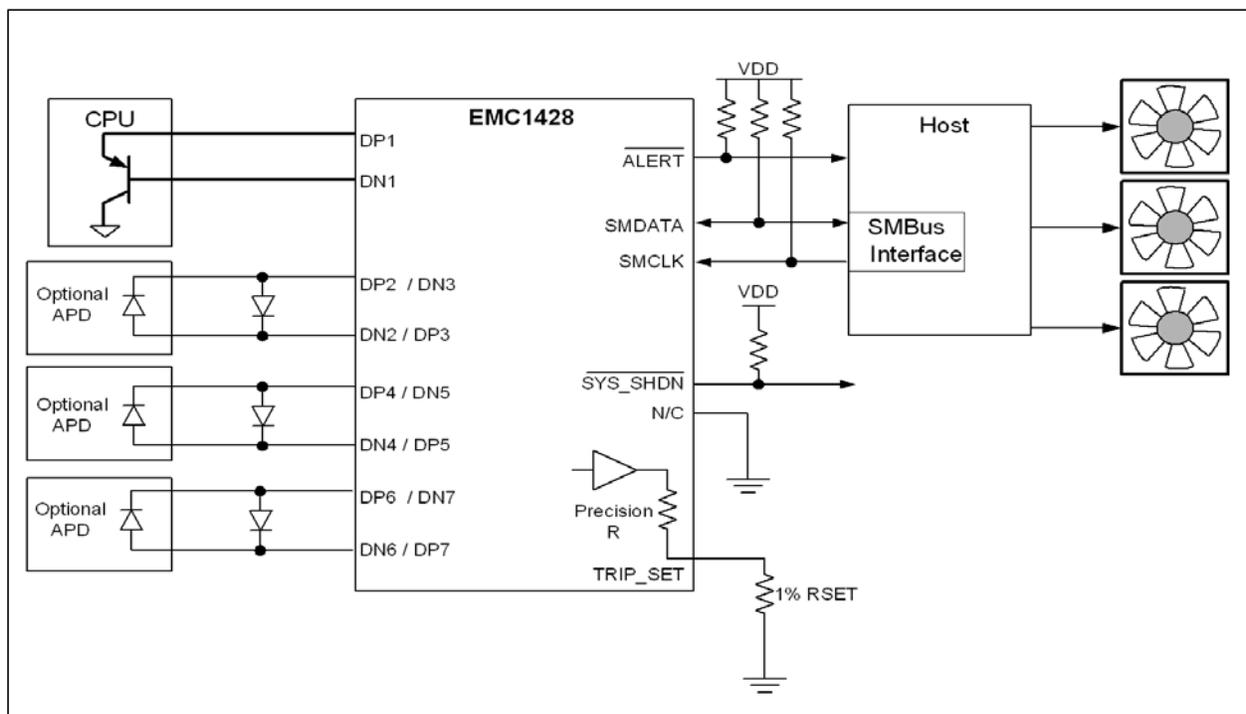


Figure 4.1 System Diagram for EMC1428

4.1 **ALERT Output**

The $\overline{\text{ALERT}}$ pin is an open drain output and has two modes of operation: interrupt mode and comparator Mode. The mode of the $\overline{\text{ALERT}}$ output is selected via the ALERT / COMP bit in the Configuration Register.

4.1.1 **ALERT Pin Interrupt Mode**

When configured to operate in interrupt mode, the $\overline{\text{ALERT}}$ pin asserts low when an out of limit measurement (\geq high limit or $<$ low limit) is detected on any diode or when a diode fault is detected. The $\overline{\text{ALERT}}$ pin will remain asserted as long as an out-of-limit condition remains. Once the out-of-limit condition has been removed, the $\overline{\text{ALERT}}$ pin will remain asserted until the appropriate status bits are cleared. Each channel is subject to the fault queue (see [Section 5.14](#)).

The $\overline{\text{ALERT}}$ pin can be masked by setting the MASK bit. Once the $\overline{\text{ALERT}}$ pin has been masked, it will be de-asserted and remain de-asserted until the MASK bit is cleared by the user. Any interrupt conditions that occur while the $\overline{\text{ALERT}}$ pin is masked will update the Status Register normally.

The $\overline{\text{ALERT}}$ pin is used as an interrupt signal or as an SMBus Alert signal that allows an SMBus slave to communicate an error condition to the master. One or more $\overline{\text{ALERT}}$ outputs can be hard-wired together.

4.1.2 **ALERT Pin Comparator Mode**

When the $\overline{\text{ALERT}}$ pin is configured to operate in comparator mode it will be asserted if any of the measured temperatures meets or exceeds the respective high limit or drops below the respective low limit. The $\overline{\text{ALERT}}$ pin will remain asserted until all temperatures drop below the corresponding high limit minus the THERM Hysteresis value.

When the $\overline{\text{ALERT}}$ pin is asserted in comparator mode, the corresponding status bits will be set. Reading these bits will not clear them until the $\overline{\text{ALERT}}$ pin is deasserted. Once the $\overline{\text{ALERT}}$ pin is deasserted, the status bits will be automatically cleared.

The MASK bit will not block the $\overline{\text{ALERT}}$ pin in this mode, however the individual channel masks (see [Section 5.13](#)) will prevent the respective channel from asserting the $\overline{\text{ALERT}}$ pin. In addition, each channel is subject to the fault queue (see [Section 5.14](#)).

4.2 **SYS_SHDN Output**

The $\overline{\text{SYS_SHDN}}$ output is asserted independently of the $\overline{\text{ALERT}}$ output and cannot be masked. If the External Diode 1 temperature exceeds the Hardware Critical / Thermal Shutdown Limit for the programmed number of consecutive measurements, then the $\overline{\text{SYS_SHDN}}$ pin is asserted.

The Hardware Critical / Thermal Shutdown Limit is defined by the TRIP_SET pin as described in [Section 4.3](#).

In addition to External Diode 1 channel triggering the $\overline{\text{SYS_SHDN}}$ pin when the measured temperature exceeds to the Hardware Critical / Thermal Shutdown Limit, each of the temperature measurement channels can be configured to assert the $\overline{\text{SYS_SHDN}}$ pin when they exceed the corresponding THERM Limit.

When the $\overline{\text{SYS_SHDN}}$ pin is asserted, it will not release until the External Diode 1 temperature drops below the Hardware Thermal Shutdown Limit minus 10°C and all other measured temperatures drop below the THERM Limit minus the THERM Hysteresis value (when linked to $\overline{\text{SYS_SHDN}}$).

The External Diode 1 channel and any software enabled channels are subject to the fault queue such that the error must exceed the threshold for one to four consecutive measurements before the SYS_SHDN pin is asserted.

Figure 4.2 shows a block diagram of the interaction between the input channels and the SYS_SHDN pin.

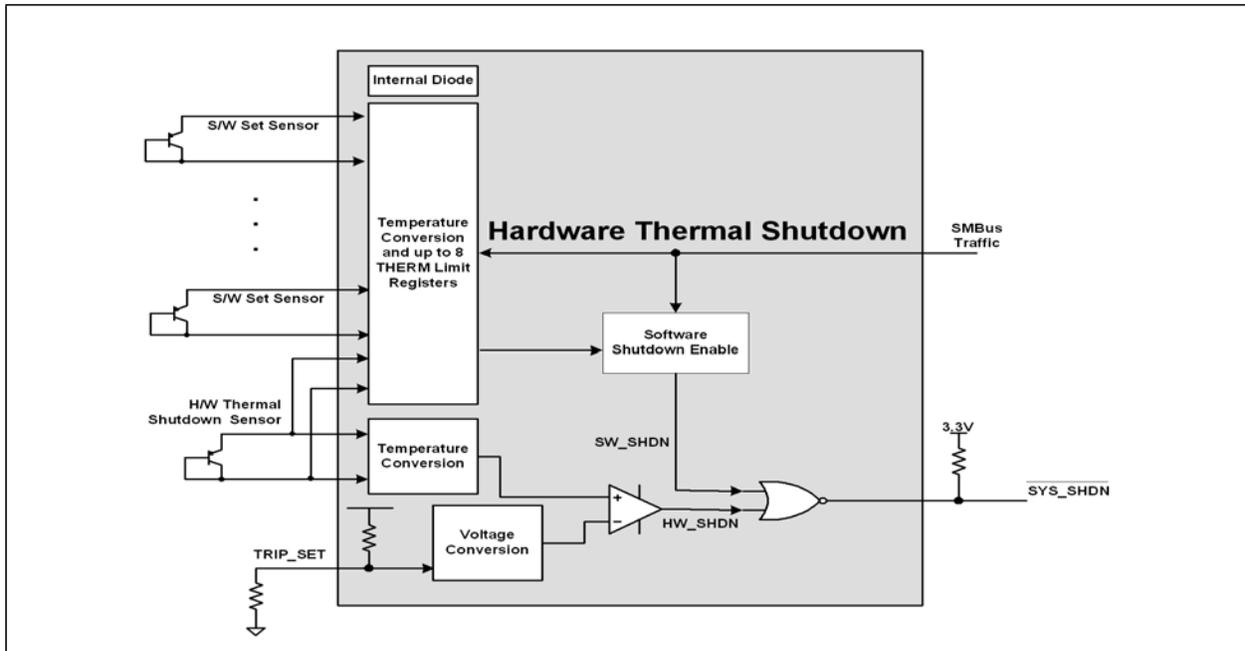


Figure 4.2 Block Diagram of Hardware Thermal Shutdown

4.3 TRIP_SET Pin

The EMC1428's TRIP_SET pin is an input to the Critical / Thermal Shutdown logic block which sets the Critical / Thermal shutdown temperature. The system designer creates a voltage level at this input through a simple resistor connected to GND as shown in Figure 4.3. The value of this resistor is used to create an input voltage on the TRIP_SET pin which is translated into a temperature ranging from 65°C to 127°C as enumerated in Table 4.1.

APPLICATION NOTE: Current only flows when the TRIP_SET pin is being monitored. At all other times, the internal reference voltage is removed and the TRIP_SET pin will be pulled down to ground.

APPLICATION NOTE: The TRIP_SET pin circuitry is designed to use a 1% resistor externally. Using a 1% resistor will result in the Thermal / Critical Shutdown temperature being decoded correctly. If a 5% resistor is used, then the Thermal / Critical Shutdown temperature may be decoded with as much as $\pm 1^\circ\text{C}$ error.

APPLICATION NOTE: Note that an open condition on the TRIP_SET pin will be decoded as a minimum temperature threshold level.

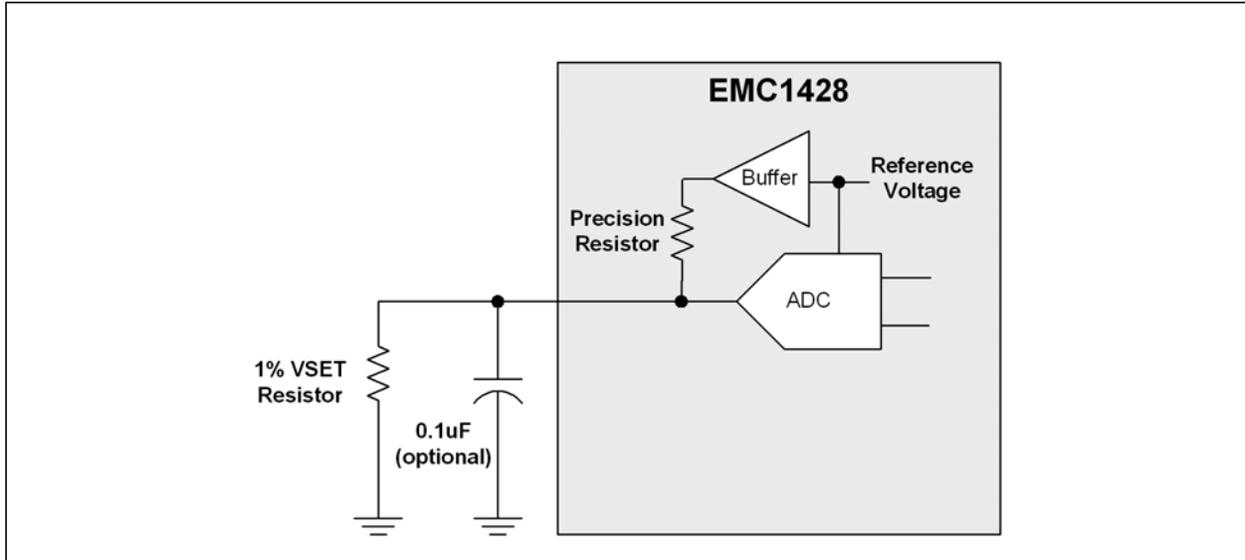


Figure 4.3 Vset Circuit

Table 4.1 V_{TRIP} Resistor Settings

| TEMP (°C) | RSET (Ω) | TEMP (°C) | RSET (Ω) |
|-----------|----------|-----------|----------|
| 65 | 0.0 | 97 | 1240.0 |
| 66 | 28.7 | 98 | 1330.0 |
| 67 | 48.7 | 99 | 1400.0 |
| 68 | 69.8 | 100 | 1500.0 |
| 69 | 90.9 | 101 | 1580.0 |
| 70 | 113.0 | 102 | 1690.0 |
| 71 | 137.0 | 103 | 1820.0 |
| 72 | 158.0 | 104 | 1960.0 |
| 73 | 182.0 | 105 | 2050.0 |
| 74 | 210.0 | 106 | 2210.0 |
| 75 | 237.0 | 107 | 2370.0 |
| 76 | 261.0 | 108 | 2550.0 |
| 77 | 294.0 | 108 | 2740.0 |
| 78 | 324.0 | 110 | 2940.0 |
| 79 | 348.0 | 111 | 3160.0 |
| 80 | 383.0 | 112 | 3480.0 |

Table 4.1 V_{TRIP} Resistor Settings (continued)

| TEMP (°C) | RSET (Ω) | TEMP (°C) | RSET (Ω) |
|-----------|----------|-----------|----------|
| 81 | 412.0 | 113 | 3740.0 |
| 82 | 453.0 | 114 | 4120.0 |
| 83 | 487.0 | 115 | 4530.0 |
| 84 | 523.0 | 116 | 4990.0 |
| 85 | 562.0 | 117 | 5490.0 |
| 86 | 604.0 | 118 | 6040.0 |
| 87 | 649.0 | 119 | 6810.0 |
| 88 | 698.0 | 120 | 7870.0 |
| 89 | 750.0 | 121 | 9090.0 |
| 90 | 787.0 | 122 | 10700.0 |
| 91 | 845.0 | 123 | 12700.0 |
| 92 | 909.0 | 124 | 15800.0 |
| 93 | 953.0 | 125 | 20500.0 |
| 94 | 1020.0 | 126 | 29400.0 |
| 95 | 1100.0 | 127 | 49900.0 |
| 96 | 1150.0 | 65 | Open |

4.4 Consecutive Alerts

The EMC1428 contains multiple consecutive alert counters. One set of counters applies to the $\overline{\text{ALERT}}$ pin and the second set of counters applies to the $\overline{\text{SYS_SHDN}}$ pin. Each temperature measurement channel has a separate consecutive alert counter for each of the interrupt conditions (High, Low, Diode fault). All counters are user programmable and determine the number of consecutive measurements that a temperature channel(s) must be out-of-limit or reporting a diode fault before the corresponding status bit is set or pin is asserted.

See [Section 5.14](#) for more details on the consecutive alert function.

4.5 Temperature Monitoring

The EMC1428 can monitor the temperature of up to seven (7) externally connected diodes as well as the internal or ambient temperature. Each channel is configured with the following features enabled or disabled based on user settings and system requirements.

APPLICATION NOTE: When measuring a 45nm CPU diode, the reported temperature has an error of approximately +1.5C at 100°C. This error is related to non-perfect ideality in the CPU diode.

4.5.1 Resistance Error Correction

The EMC1428 includes active Resistance Error Correction to remove the effect of up to 100 ohms of series resistance. Without this automatic feature, voltage developed across the parasitic resistance in the remote diode path causes the temperature to read higher than the true temperature is. The error induced by parasitic resistance is approximately +0.7°C per ohm. Sources of series resistance include bulk resistance in the remote temperature transistor junctions, series resistance in the CPU, and resistance in the printed circuit board traces and package leads. Resistance error correction in the EMC1428 eliminates the need to characterize and compensate for parasitic resistance in the remote diode path.

4.5.2 Beta Compensation

The forward current gain, or beta, of a transistor is not constant as emitter currents change. As well, it is not constant over changes in temperature. The variation in beta causes an error in temperature reading that is proportional to absolute temperature. Compensating for this error is also known as implementing the BJT or transistor model for temperature measurement.

For discrete transistors configured with the collector and base shorted together, the beta is generally sufficiently high such that the percent change in beta variation is very small. For example, a 10% variation in beta for two forced emitter currents with a transistor whose ideal beta is 50 would contribute approximately 0.25°C error at 100°C. However for substrate transistors where the base-emitter junction is used for temperature measurement and the collector is tied to the substrate, the proportional beta variation will cause large error. For example, a 10% variation in beta for two forced emitter currents with a transistor whose ideal beta is 0.5 would contribute approximately 8.25°C error at 100°C.

The Beta Compensation circuitry in the EMC1428 corrects for this beta variation to eliminate any error which would normally be induced. It automatically detects the appropriate beta setting to use.

4.5.3 Digital Averaging

To reduce the effect of noise and temperature spikes on the reported temperature, all of the external diode channels use digital averaging. This averaging acts as a running average using the previous four measured values.

The default setting is to have digital averaging disabled for all channels. It can be enabled for each channel individually by the Filter Control Register (see [Section 5.24](#)).

4.5.4 “Hottest Of” Comparison

At the end of every measurement cycle, the EMC1428 compares all of the user selectable External Diode channels to determine which of these channels is reporting the hottest temperature. The hottest temperature is stored in the Hottest Temperature Registers and the appropriate status bit in the Hottest Status Register is set. As an optional feature, the EMC1428 can also flag an event if the hottest temperature channel changes. For example, suppose that External Diode channels 1, 3, and 4 are programmed to be compared in the “Hottest Of” Comparison. If the External Diode 1 channel reports the hottest temperature of the three, its temperature is copied into the Hottest Temperature Registers (in addition to the External Diode 1 Temperature registers) and it is flagged in the Hottest Status bit. If, on the next measurement, the External Diode 3 channel temperature has increased such that it is now the hottest temperature, the EMC1428 can flag this event as an interrupt condition and assert the $\overline{\text{ALERT}}$ pin.

4.5.5 Conversion Rates

The EMC1428 may be configured for different conversion rates based on the system requirements. The conversion rate is configured as described in [Section 5.5](#). The default conversion rate is 4 conversions per second. Other available conversion rates are shown in [Table 5.7](#).

4.5.6 Dynamic Averaging

Dynamic averaging causes the EMC1428 to measure the external diode channels for an extended time based on the selected conversion rate. This functionality can be disabled for increased power savings at the lower conversion rates (see [Section 5.5](#)). When dynamic averaging is enabled, the device will automatically adjust the sampling and measurement time for the external diode channels. This allows the device to average 2x or 4x longer than the normal 11 bit operation (nominally 21ms per channel) while still maintaining the selected conversion rate. The benefits of dynamic averaging are improved noise rejection due to the longer integration time as well as less random variation of the temperature measurement.

When enabled, the dynamic averaging will affect the average supply current based on the chosen conversion rate as shown in [Table 4.2](#) for EMC1428.

Table 4.2 Supply Current vs. Conversion Rate for EMC1428

| CONVERSION RATE | AVERAGE SUPPLY CURRENT | | AVERAGING FACTOR (BASED ON 11-BIT OPERATION) | |
|---|-------------------------------------|----------------------------|--|----------------------------|
| | DYNAMIC AVERAGING ENABLED (DEFAULT) | DYNAMIC AVERAGING DISABLED | DYNAMIC AVERAGING ENABLED (DEFAULT) | DYNAMIC AVERAGING DISABLED |
| 1 / sec | 715uA | 450uA | 4x | 1x |
| 2 / sec | 750uA | 550uA | 2x | 1x |
| 4 / sec (default) | 900uA | 815uA | 1x | 1x |
| Continuous (see Table 5.8) | 950uA | 950uA | 0.5x | 0.5x |

4.6 Diode Connections

The diode connection for the External Diode 1 channel is determined based on the selected device. For the EMC1428, this channel can support a diode-connected transistor (such as a 2N3904) or a substrate transistor (such as those found in an CPU or GPU) as shown in [Figure 4.4](#). Anti-parallel diodes are not supported on the External Diode 1 channel.

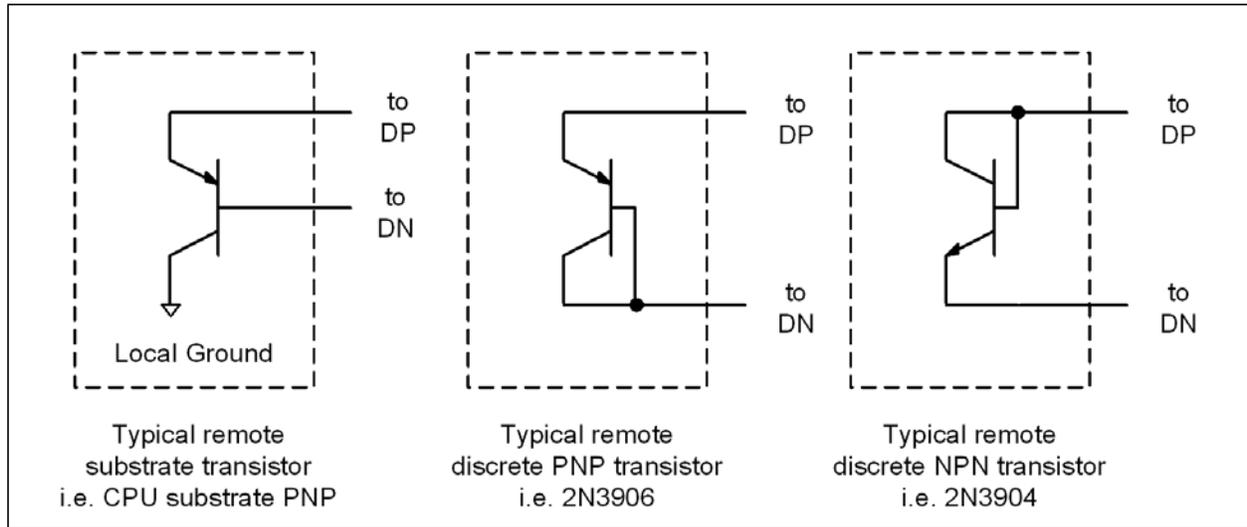


Figure 4.4 Diode Connections

4.6.1 Diode Faults

The EMC1428 actively detects an open and short condition on each measurement channel. When a diode fault is detected, the temperature data MSByte is forced to a value of 80h and the FAULT bit is set in the Status Register. When an external diode channel is configured to operate in APD mode, the circuitry will detect independent open fault conditions, however a short condition will be shared between the APD channels.

Chapter 5 Register Description

The registers shown in [Table 5.1](#) are accessible through the SMBus. An entry of '-' indicates that the bit is not used and will always read '0'.

Table 5.1 Register Set in Hexadecimal Order

| REGISTER ADDRESS | R/W | REGISTER NAME | FUNCTION | DEFAULT VALUE | PAGE |
|------------------|-----|---------------------------------------|--|---------------|-------------------------|
| 00h | R | Internal Diode Data High Byte | Stores the integer data for the Internal Diode | 00h | Page 28 |
| 01h | R | External Diode 1 Data High Byte | Stores the integer data for the External Diode 1 | 00h | Page 28 |
| 02h | R-C | Status | Stores the status bits for the Internal Diode and External Diodes | 00h | Page 30 |
| 03h | R/W | Configuration | Controls the general operation of the device (mirrored at address 09h) | 00h | Page 30 |
| 04h | R/W | Conversion Rate | Controls the conversion rate for updating temperature data (mirrored at address 0Ah) | 06h (4/sec) | Page 31 |
| 05h | R/W | Internal Diode High Limit | Stores the 8-bit high limit for the Internal Diode (mirrored at address 0Bh) | 55h (85°C) | Page 32 |
| 06h | R/W | Internal Diode Low Limit | Stores the 8-bit low limit for the Internal Diode (mirrored at address 0Ch) | 00h (0°C) | Page 32 |
| 07h | R/W | External Diode 1 High Limit High Byte | Stores the integer portion of the high limit for the External Diode 1 (mirrored at register 0Dh) | 55h (85°C) | Page 32 |
| 08h | R/W | External Diode 1 Low Limit High Byte | Stores the integer portion of the low limit for the External Diode 1 (mirrored at register 0Eh) | 00h (0°C) | Page 32 |
| 09h | R/W | Configuration | Controls the general operation of the device (mirrored at address 03h) | 00h | Page 30 |
| 0Ah | R/W | Conversion Rate | Controls the conversion rate for updating temperature data (mirrored at address 04h) | 06h (4/sec) | Page 31 |
| 0Bh | R/W | Internal Diode High Limit | Stores the 8-bit high limit for the Internal Diode (mirrored at address 05h) | 55h (85°C) | Page 32 |
| 0Ch | R/W | Internal Diode Low Limit | Stores the 8-bit low limit for the Internal Diode (mirrored at address 06h) | 00h (0°C) | Page 32 |

Table 5.1 Register Set in Hexadecimal Order (continued)

| REGISTER ADDRESS | R/W | REGISTER NAME | FUNCTION | DEFAULT VALUE | PAGE |
|------------------|-----|---------------------------------------|--|---------------|---------|
| 0Dh | R/W | External Diode 1 High Limit High Byte | Stores the integer portion of the high limit for the External Diode 1 (mirrored at register 07h) | 55h (85°C) | Page 32 |
| 0Eh | R/W | External Diode 1 Low Limit High Byte | Stores the integer portion of the low limit for the External Diode 1 (mirrored at register 08h) | 00h (0°C) | Page 32 |
| 10h | R | External Diode 1 Data Low Byte | Stores the fractional data for the External Diode 1 | 00h | Page 28 |
| 13h | R/W | External Diode 1 High Limit Low Byte | Stores the fractional portion of the high limit for the External Diode 1 | 00h | Page 32 |
| 14h | R/W | External Diode 1 Low Limit Low Byte | Stores the fractional portion of the low limit for the External Diode 1 | 00h | Page 32 |
| 15h | R/W | External Diode 2 High Limit High Byte | Stores the integer portion of the high limit for External Diode 2 | 55h (85°C) | Page 32 |
| 16h | R/W | External Diode 2 Low Limit High Byte | Stores the integer portion of the low limit for External Diode 2 | 00h (0°C) | Page 32 |
| 17h | R/W | External Diode 2 High Limit Low Byte | Stores the fractional portion of the high limit External Diode 2 | 00h | Page 32 |
| 18h | R/W | External Diode 2 Low Limit Low Byte | Stores the fractional portion of the low limit for External Diode 2 | 00h | Page 32 |
| 19h | R/W | External Diode 1 THERM Limit | Stores the 8-bit critical temperature limit for the External Diode 1 | 55h (85°C) | Page 35 |
| 1Ah | R/W | External Diode 2 THERM Limit | Stores the 8-bit critical temperature limit for External Diode 2 | 55h (85°C) | Page 35 |
| 1Bh | R-C | External Diode Fault | Stores status bits indicating which external diode detected a diode fault | 00h | Page 36 |
| 1Ch | R | TRIP_SET Voltage | Voltage measured on the TRIP_SET pin to determine the Critical / Thermal shutdown threshold | 00h | Page 36 |
| 1Dh | R/W | SYS_SHDN Configuration | Controls which software channels, if any, are linked to the SYS_SHDN pin | 00h | Page 36 |
| 1Eh | R | Hardware Thermal Shutdown Limit | When read, returns the selected Hardware Thermal Shutdown Limit | N/A | Page 37 |
| 1Fh | R/W | Interrupt Mask Register | Controls the masking of individual channels | F0h | Page 37 |
| 20h | R/W | Internal Diode THERM Limit | Stores the 8-bit critical temperature limit for the Internal Diode | 55h (85°C) | Page 35 |

Table 5.1 Register Set in Hexadecimal Order (continued)

| REGISTER ADDRESS | R/W | REGISTER NAME | FUNCTION | DEFAULT VALUE | PAGE |
|------------------|-----|---------------------------------------|--|---------------|---------|
| 21h | R/W | THERM Hysteresis | Stores the 8-bit hysteresis value that applies to all THERM limits | 0Ah (10°C) | Page 35 |
| 22h | R/W | Consecutive ALERT | Controls the number of out-of-limit conditions that must occur before the status bit is asserted | 70h | Page 38 |
| 23h | R | External Diode 2 Data High Byte | Stores the integer data for External Diode 2 | 00h | Page 28 |
| 24h | R | External Diode 2 Data Low Byte | Stores the fractional data for External Diode 2 | 00h | Page 28 |
| 25h | R | External Diode 1 Beta Configuration | Stores the Beta Compensation circuitry settings for External Diode 1 | 08h | Page 40 |
| 26h | R/W | External Diode 2 Beta Configuration | Stores the Beta Compensation circuitry settings for External Diode 2 | 08h | Page 40 |
| 29h | R | Internal Diode Data Low Byte | Stores the fractional data for the Internal Diode | 00h | Page 28 |
| 2Ah | R | External Diode 3 High Byte | Stores the integer data for External Diode 3 | 00h | Page 28 |
| 2Bh | R | External Diode 3 Low Byte | Stores the fractional data for External Diode 3 | 00h | Page 28 |
| 2Ch | R/W | External Diode 3 High Limit High Byte | Stores the integer portion of the high limit for External Diode 3 | 55h (85°C) | Page 32 |
| 2Dh | R/W | External Diode 3 Low Limit High Byte | Stores the integer portion of the low limit for External Diode 3 | 00h (0°C) | Page 32 |
| 2Eh | R/W | External Diode 3 High Limit Low Byte | Stores the fractional portion of the high limit for External Diode 3 | 00h | Page 32 |
| 2Fh | R/W | External Diode 3 Low Limit Low Byte | Stores the fractional portion of the low limit for External Diode 3 | 00h | Page 32 |
| 30h | R/W | External Diode 3 THERM Limit | Stores the 8-bit critical temperature limit for External Diode 3 | 55h (85°C) | Page 35 |
| 32h | R | Hottest Diode High Byte | Stores the integer data for the hottest temperature | 00h | Page 41 |
| 33h | R | Hottest Diode Low Byte | Stores the fractional data for the hottest temperature | 00h | Page 41 |
| 34h | R-C | Hottest Status | Status bits indicating which external diode is hottest | 00h | Page 41 |
| 35h | R-C | High Limit Status | Status bits for the High Limits | 00h | Page 42 |
| 36h | R-C | Low Limit Status | Status bits for the Low Limits | 00h | Page 43 |

Table 5.1 Register Set in Hexadecimal Order (continued)

| REGISTER ADDRESS | R/W | REGISTER NAME | FUNCTION | DEFAULT VALUE | PAGE |
|------------------|-----|---------------------------------------|--|---------------|-------------------------|
| 37h | R | THERM Limit Status | Status bits for the THERM Limits | 00h | Page 43 |
| 39h | R/W | REC Configuration | Controls REC for all channels | 00h | Page 44 |
| 3Ah | R/W | Hottest Config | Controls which external diode channels are used in the “hottest of “comparison | 00h | Page 44 |
| 3Bh | R/W | Channel Config | Controls which channels are enabled | 00h | Page 45 |
| 40h | R/W | Filter Control | Controls the digital filter setting for the External Diode 1 channel | 00h | Page 46 |
| 41h | R | External Diode 4 Data High Byte | Stores the integer data for the External Diode 4 channel | 00h | Page 28 |
| 42h | R | External Diode 4 Data Low Byte | Stores the fractional data for the External Diode 4 channel | 00h | Page 28 |
| 43h | R | External Diode 5 Data High Byte | Stores the integer data for the External Diode 5 channel | 00h | Page 28 |
| 44h | R | External Diode 5 Data Low Byte | Stores the fractional data for the External Diode 5 channel | 00h | Page 28 |
| 45h | R | External Diode 6 Data High Byte | Stores the integer data for the External Diode 6 channel | 00h | Page 28 |
| 46h | R | External Diode 6 Data Low Byte | Stores the fractional data for the External Diode 6 channel | 00h | Page 28 |
| 47h | R | External Diode 7 Data High Byte | Stores the integer data for the External Diode 7 channel | 00h | Page 28 |
| 48h | R | External Diode 7 Data Low Byte | Stores the fractional data for the External Diode 7 channel | 00h | Page 28 |
| 50h | R/W | External Diode 4 High Limit High Byte | Stores the integer data for the high limit for the External Diode 4 channel | 55h (85°C) | Page 32 |
| 51h | R/W | External Diode 4 Low Limit High Byte | Stores the integer data for the low limit for the External Diode 4 channel | 00h (0°C) | Page 32 |
| 52h | R/W | External Diode 4 High Limit Low Byte | Stores the fractional data for the low limit for the External Diode 4 channel | 00h | Page 32 |
| 53h | R/W | External Diode 4 Low Limit Low Byte | Stores the fractional data for the low limit for the External Diode 4 channel | 00h | Page 32 |
| 54h | R/W | External Diode 5 High Limit High Byte | Stores the integer data for the high limit for the External Diode 5 channel | 55h (85°C) | Page 32 |

Table 5.1 Register Set in Hexadecimal Order (continued)

| REGISTER ADDRESS | R/W | REGISTER NAME | FUNCTION | DEFAULT VALUE | PAGE |
|------------------|-----|---------------------------------------|---|---------------|-------------------------|
| 55h | R/W | External Diode 5 Low Limit High Byte | Stores the integer data for the low limit for the External Diode 5 channel | 00h (0°C) | Page 32 |
| 56h | R/W | External Diode 5 High Limit Low Byte | Stores the fractional data for the low limit for the External Diode 5 channel | 00h | Page 32 |
| 57h | R/W | External Diode 5 Low Limit Low Byte | Stores the fractional data for the low limit for the External Diode 5 channel | 00h | Page 32 |
| 58h | R/W | External Diode 6 High Limit High Byte | Stores the integer data for the high limit for the External Diode 6 channel | 55h (85°C) | Page 32 |
| 59h | R/W | External Diode 6 Low Limit High Byte | Stores the integer data for the low limit for the External Diode 6 channel | 00h (0°C) | Page 32 |
| 5Ah | R/W | External Diode 6 High Limit Low Byte | Stores the fractional data for the low limit for the External Diode 6 channel | 00h (0°C) | Page 32 |
| 5Bh | R/W | External Diode 6 Low Limit Low Byte | Stores the fractional data for the low limit for the External Diode 6 channel | 00h (0°C) | Page 32 |
| 5Ch | R/W | External Diode 7 High Limit High Byte | Stores the integer data for the high limit for the External Diode 7 channel | 55h (85°C) | Page 32 |
| 5Dh | R/W | External Diode 7 Low Limit High Byte | Stores the integer data for the low limit for the External Diode 7 channel | 00h (0°C) | Page 32 |
| 5Eh | R/W | External Diode 7 High Limit Low Byte | Stores the fractional data for the low limit for the External Diode 7 channel | 00h | Page 32 |
| 5Fh | R/W | External Diode 7 Low Limit Low Byte | Stores the fractional data for the low limit for the External Diode 7 channel | 00h | Page 32 |
| 64h | R/W | External Diode 4 THERM Limit | Stores the 8-bit critical temperature limit for External Diode 4 | 55h (85°C) | Page 32 |
| 65h | R/W | External Diode 5 THERM Limit | Stores the 8-bit critical temperature limit for External Diode 5 | 55h (85°C) | Page 32 |
| 66h | R/W | External Diode 6 THERM Limit | Stores the 8-bit critical temperature limit for External Diode 6 | 55h (85°C) | Page 32 |
| 67h | R/W | External Diode 7 THERM Limit | Stores the 8-bit critical temperature limit for External Diode 7 | 55h (85°C) | Page 32 |

Table 5.1 Register Set in Hexadecimal Order (continued)

| REGISTER ADDRESS | R/W | REGISTER NAME | FUNCTION | DEFAULT VALUE | PAGE |
|------------------|-----|-------------------------------------|--|---------------|-------------------------|
| 71h | R/W | External Diode 4 Beta Configuration | Stores the Beta Compensation circuitry settings for External Diode 4 | 08h | Page 40 |
| 72h | R/W | External Diode 6 Beta Configuration | Stores the Beta Compensation circuitry settings for External Diode 6 | 08h | Page 40 |
| FDh | R | Product ID - EMC1428 | Stores a fixed value that identifies each product | 29h | Page 46 |
| FEh | R | Manufacturer ID | Stores a fixed value that represents Microchip | 5Dh | Page 46 |
| FFh | R | Revision | Stores a fixed value that represents the revision number | 01h | Page 47 |

5.1 Data Read Interlock

When any temperature channel high byte register is read, the corresponding low byte is copied into an internal 'shadow' register. The user is free to read the low byte at any time and be guaranteed that it will correspond to the previously read high byte. Regardless if the low byte is read or not, reading from the same high byte register again will automatically refresh this stored low byte data.

5.2 Temperature Data Registers

Table 5.2 Temperature Data Registers

| ADDR | R/W | REGISTER | B7 | B6 | B5 | B4 | B3 | B2 | B1 | B0 | DEFAULT |
|------|-----|----------------------------|------|------|-------|----|----|----|----|----|---------|
| 00h | R | Internal Diode High Byte | Sign | 64 | 32 | 16 | 8 | 4 | 2 | 1 | 00h |
| 29h | R | Internal Diode Low Byte | 0.5 | 0.25 | 0.125 | - | - | - | - | - | 00h |
| 01h | R | External Diode 1 High Byte | Sign | 64 | 32 | 16 | 8 | 4 | 2 | 1 | 00h |
| 10h | R | External Diode 1 Low Byte | 0.5 | 0.25 | 0.125 | - | - | - | - | - | 00h |
| 23h | R | External Diode 2 High Byte | Sign | 64 | 32 | 16 | 8 | 4 | 2 | 1 | 00h |
| 24h | R | External Diode 2 Low Byte | 0.5 | 0.25 | 0.125 | - | - | - | - | - | 00h |
| 2Ah | R | External Diode 3 High Byte | Sign | 64 | 32 | 16 | 8 | 4 | 2 | 1 | 00h |
| 2Bh | R | External Diode 3 Low Byte | 0.5 | 0.25 | 0.125 | - | - | - | - | - | 00h |

Table 5.2 Temperature Data Registers (continued)

| ADDR | R/W | REGISTER | B7 | B6 | B5 | B4 | B3 | B2 | B1 | B0 | DEFAULT |
|------|-----|-------------------------------|------|------|-------|----|----|----|----|----|---------|
| 41h | R | External Diode 4 High Byte | Sign | 64 | 32 | 16 | 8 | 4 | 2 | 1 | 00h |
| 42h | R | External Diode 4 Low Byte | 0.5 | 0.25 | 0.125 | - | - | - | - | - | 00h |
| 43h | R | External Diode 5 High Byte | Sign | 64 | 32 | 16 | 8 | 4 | 2 | 1 | 00h |
| 44h | R | External Diode 5 Low Byte | 0.5 | 0.25 | 0.125 | - | - | - | - | - | 00h |
| 45h | R | External Diode 6 High Byte | Sign | 64 | 32 | 16 | 8 | 4 | 2 | 1 | 00h |
| 46h | R | External Diode 6 Low Byte | 0.5 | 0.25 | 0.125 | - | - | - | - | - | 00h |
| 47h | R | External Diode 7 High Byte | Sign | 64 | 32 | 16 | 8 | 4 | 2 | 1 | 00h |
| 48h | R | External Diode 7 Low Byte | 0.5 | 0.25 | 0.125 | - | - | - | - | - | 00h |

All temperatures are stored as an 11-bit value with the high byte representing the integer value and the low byte representing the fractional value left justified to occupy the MSBits. The data format is standard 2's complement from -64°C to 127.875°C as shown in [Table 5.3](#).

Table 5.3 Temperature Data Format

| TEMPERATURE (°C) | BINARY | HEX (AS READ BY REGISTERS) |
|------------------|----------------|-------------------------------|
| Diode Fault | 1000_0000_000b | 80_00h |
| -64 | 1100_0000_000b | C0_00h |
| -63.875 | 1100_0000_001b | C0_20h |
| -1 | 1111_1111_000b | FF_00h |
| -0.125 | 1111_1111_111b | FF_E0h |
| 0 | 0000_0000_000b | 00_00h |
| 0.125 | 0000_0000_001b | 00_20h |
| 1 | 0000_0001_000b | 01_00h |
| 63 | 0011_1111_000b | 3F_00h |
| 64 | 0100_0000_000b | 40_00h |
| 127 | 0111_1111_000b | 7F_00h |
| 127.875 | 0111_1111_111b | 7F_E0h |

5.3 Status Register

Table 5.4 Status Register

| ADDR | R/W | REGISTER | B7 | B6 | B5 | B4 | B3 | B2 | B1 | B0 | DEFAULT |
|------|-----|----------|------|----------|----|------|-----|-------|--------|------|---------|
| 02h | R | Status | BUSY | HOT TEST | - | HIGH | LOW | FAULT | SW_SYS | HWSD | 00h |

The Status Register reports general error conditions. To identify specific channels, refer to [Section 5.9](#), [Section 5.18](#), [Section 5.19](#), and [Section 5.20](#). The individual Status Register bits (except HOTTEST) are cleared when the appropriate High Limit, Low Limit, or THERM Limit register has been read or cleared.

Bit 7 - BUSY - This bit indicates that the ADC is currently converting. This bit does not cause the ALERT pin to be asserted.

Bit 6 - HOTTEST - This bit is set if the REM_HOT bit (see [Section 5.23](#)) is set and the hottest channel changes. This bit is cleared when the register is read.

Bit 4 - HIGH - This bit is set when any of the temperature channels meets or exceeds its programmed high limit. See the High Limit Status Register for specific channel information ([Section 5.18](#)). When set, this bit will assert the ALERT pin.

Bit 3 - LOW - This bit is set when any of the temperature channels drops below its programmed low limit. See the Low Limit Status Register for specific channel information ([Section 5.19](#)). When set, this bit will assert the ALERT pin.

Bit 2 - FAULT - This bit is asserted when a diode fault is detected on any of the external diode channels. See the External Diode Fault Register for specific channel information ([Section 5.9](#)). When set, this bit will assert the ALERT pin.

Bit 1 - SW_SYS - This bit is set when any of the external diode channels meet or exceed the respected THERM Limits. See the Therm Status Register for specific channel information ([Section 5.20](#))

Bit 0 - HWSD - This bit is set when the External Diode 1 Temperature meets or exceeds the Hardware Critical / Thermal Shutdown Limit. When set, this bit will assert the SYS_SHDN pin. This bit is cleared when read if the SYS_SHDN pin has been released.

5.4 Configuration Register

Table 5.5 Configuration Register

| ADDR | R/W | REGISTER | B7 | B6 | B5 | B4 | B3 | B2 | B1 | B0 | DEFAULT |
|------|-----|----------|----------|----|------------|----|----|----|----------|----|---------|
| 03h | R/W | Config | MASK_ALL | - | ALERT/COMP | - | - | - | DAVG_DIS | - | 00h |
| 09h | | | | | | | | | | | |

The Configuration Register controls the basic operation of the device. This register is fully accessible at either address.

Bit 7 - MASK_ALL - Masks the $\overline{\text{ALERT}}$ pin from asserting.

- '0' (default) - The $\overline{\text{ALERT}}$ pin is not masked. If any of the appropriate status bits are set the $\overline{\text{ALERT}}$ pin will be asserted.
- '1' - The $\overline{\text{ALERT}}$ pin is masked. It will not be asserted for any interrupt condition. The Status Registers will be updated normally.

Bit 5 - ALERT/COMP - Controls the operation of the $\overline{\text{ALERT}}$ pin.

- '0' (default) - The $\overline{\text{ALERT}}$ pin acts as described in [Section 4.1.1](#).
- '1' - The $\overline{\text{ALERT}}$ pin acts in comparator mode as described in [Section 4.1.2](#). In this mode the MASK_ALL bit is ignored.

Bit 1 - DAVG_DIS - Disables the dynamic averaging feature on all temperature channels (see [Section 4.5.6](#)).

- '0' (default) - The dynamic averaging feature is enabled. All temperature channels will be converted with an averaging factor that is based on the conversion rate as shown in [Table 4.2](#).
- '1' - The dynamic averaging feature is disabled. All temperature channels will be converted with a maximum averaging factor of 1x (equivalent to 11-bit conversion). For higher conversion rates (i.e. more conversions per second), this averaging factor will be reduced as shown in [Table 4.2](#).

5.5 Conversion Rate Register

Table 5.6 Conversion Rate Register

| ADDR | R/W | REGISTER | B7 | B6 | B5 | B4 | B3 | B2 | B1 | B0 | DEFAULT |
|------|-----|-----------------|----|----|----|----|----|-----------|----|----|----------------|
| 04h | R/W | Conversion Rate | - | - | - | - | | CONV[2:0] | | | 06h (4/sec) |
| 0Ah | | | | | | | | | | | |

The Conversion Rate Register controls how often the temperature measurement channels are updated and compared against the limits. This register is fully accessible at either address.

Bits 3-0 - CONV[3:0] - Determines the conversion rate as shown in [Table 5.7](#).

Table 5.7 Conversion Rate

| CONV[2:0] | | | CONVERSIONS / SECOND |
|------------|---|---|----------------------|
| 2 | 1 | 0 | |
| 1 | 0 | 0 | 1 |
| 1 | 0 | 1 | 2 |
| 1 | 1 | 0 | 4 (default) |
| 1 | 1 | 1 | Continuous |
| All Others | | | 4 |

The actual conversion rate for Continuous conversions will depend on the number of diode channels enabled and is shown in [Table 5.8](#).

Table 5.8 Maximum Conversion Rate Per Temperature Channels

| NUMBER OF EXTERNAL DIODE CHANNELS | MAX CONVERSION RATE |
|-----------------------------------|---------------------|
| 4 | 12 / sec |
| 5 | 11 / sec |
| 6 | 10 / sec |
| 7 | 9 / sec |

5.6 Limit Registers

Table 5.9 Temperature Limit Registers

| ADDR. | R/W | REGISTER | B7 | B6 | B5 | B4 | B3 | B2 | B1 | B0 | DEFAULT |
|-------|-----|---------------------------------------|------|------|-------|----|----|----|----|----|---------------|
| 05h | R/W | Internal Diode High Limit | Sign | 64 | 32 | 16 | 8 | 4 | 2 | 1 | 55h (85°C) |
| 0Bh | | | | | | | | | | | |
| 06h | R/W | Internal Diode Low Limit | Sign | 64 | 32 | 16 | 8 | 4 | 2 | 1 | 00h (0°C) |
| 0Ch | | | | | | | | | | | |
| 07h | R/W | External Diode 1 High Limit High Byte | Sign | 64 | 32 | 16 | 8 | 4 | 2 | 1 | 55h (85°C) |
| 0Dh | | | | | | | | | | | |
| 13h | R/W | External Diode 1 High Limit Low Byte | 0.5 | 0.25 | 0.125 | - | - | - | - | - | 00h |
| 08h | R/W | External Diode 1 Low Limit High Byte | Sign | 64 | 32 | 16 | 8 | 4 | 2 | 1 | 00h (0°C) |
| 0Eh | | | | | | | | | | | |
| 14h | R/W | External Diode 1 Low Limit Low Byte | 0.5 | 0.25 | 0.125 | - | - | - | - | - | 00h |
| 15h | R/W | External Diode 2 High Limit High Byte | Sign | 64 | 32 | 16 | 8 | 4 | 2 | 1 | 55h (85°C) |
| 16h | R/W | External Diode 2 Low Limit High Byte | Sign | 64 | 32 | 16 | 8 | 4 | 2 | 1 | 00h (0°C) |

Table 5.9 Temperature Limit Registers (continued)

| ADDR. | R/W | REGISTER | B7 | B6 | B5 | B4 | B3 | B2 | B1 | B0 | DEFAULT |
|-------|-----|---------------------------------------|------|------|-------|----|----|----|----|----|---------------|
| 17h | R/W | External Diode 2 High Limit Low Byte | 0.5 | 0.25 | 0.125 | - | - | - | - | - | 00h |
| 18h | R/W | External Diode 2 Low Limit Low Byte | 0.5 | 0.25 | 0.125 | - | - | - | - | - | 00h |
| 2Ch | R/W | External Diode 3 High Limit High Byte | Sign | 64 | 32 | 16 | 8 | 4 | 2 | 1 | 55h (85°C) |
| 2Dh | R/W | External Diode 3 Low Limit High Byte | Sign | 64 | 32 | 16 | 8 | 4 | 2 | 1 | 00h (0°C) |
| 2Eh | R/W | External Diode 3 High Limit Low Byte | 0.5 | 0.25 | 0.125 | - | - | - | - | - | 00h |
| 2Fh | R/W | External Diode 3 Low Limit Low Byte | 0.5 | 0.25 | 0.125 | - | - | - | - | - | 00h |
| 50h | R/W | External Diode 4 High Limit High Byte | Sign | 64 | 32 | 16 | 8 | 4 | 2 | 1 | 55h (85°C) |
| 51h | R/W | External Diode 4 Low Limit High Byte | Sign | 64 | 32 | 16 | 8 | 4 | 2 | 1 | 00h (0°C) |
| 52h | R/W | External Diode 4 High Limit Low Byte | 0.5 | 0.25 | 0.125 | - | - | - | - | - | 00h |
| 53h | R/W | External Diode 4 Low Limit Low Byte | 0.5 | 0.25 | 0.125 | - | - | - | - | - | 00h |
| 54h | R/W | External Diode 5 High Limit High Byte | Sign | 64 | 32 | 16 | 8 | 4 | 2 | 1 | 55h (85°C) |
| 55h | R/W | External Diode 5 Low Limit High Byte | Sign | 64 | 32 | 16 | 8 | 4 | 2 | 1 | 00h (0°C) |

Table 5.9 Temperature Limit Registers (continued)

| ADDR. | R/W | REGISTER | B7 | B6 | B5 | B4 | B3 | B2 | B1 | B0 | DEFAULT |
|-------|-----|---------------------------------------|------|------|-------|----|----|----|----|----|------------|
| 56h | R/W | External Diode 5 High Limit Low Byte | 0.5 | 0.25 | 0.125 | - | - | - | - | - | 00h |
| 57h | R/W | External Diode 5 Low Limit Low Byte | 0.5 | 0.25 | 0.125 | - | - | - | - | - | 00h |
| 58h | R/W | External Diode 6 High Limit High Byte | Sign | 64 | 32 | 16 | 8 | 4 | 2 | 1 | 55h (85°C) |
| 59h | R/W | External Diode 6 Low Limit High Byte | Sign | 64 | 32 | 16 | 8 | 4 | 2 | 1 | 00h (0°C) |
| 5Ah | R/W | External Diode 6 High Limit Low Byte | 0.5 | 0.25 | 0.125 | - | - | - | - | - | 00h |
| 5Bh | R/W | External Diode 6 Low Limit Low Byte | 0.5 | 0.25 | 0.125 | - | - | - | - | - | 00h |
| 5Ch | R/W | External Diode 7 High Limit High Byte | Sign | 64 | 32 | 16 | 8 | 4 | 2 | 1 | 55h (85°C) |
| 5Dh | R/W | External Diode 7 Low Limit High Byte | Sign | 64 | 32 | 16 | 8 | 4 | 2 | 1 | 00h (0°C) |
| 5Eh | R/W | External Diode 7 High Limit Low Byte | 0.5 | 0.25 | 0.125 | - | - | - | - | - | 00h |
| 5Fh | R/W | External Diode 7 Low Limit Low Byte | 0.5 | 0.25 | 0.125 | - | - | - | - | - | 00h |

The device contains both high and low limits for all temperature channels. If the measured temperature meets or exceeds the high limit, then the corresponding status bit is set and the ALERT pin is asserted. Likewise, if the measured temperature is less than the low limit, the corresponding status bit is set and the ALERT pin is asserted.

The limit registers with multiple addresses are fully accessible at either address.

5.7 Therm Hysteresis Register

Table 5.10 Therm Hysteresis Register

| ADDR. | R/W | REGISTER | B7 | B6 | B5 | B4 | B3 | B2 | B1 | B0 | DEFAULT |
|-------|-----|------------------|----|----|----|----|----|----|----|----|------------|
| 21h | R/W | THERM Hysteresis | - | 64 | 32 | 16 | 8 | 4 | 2 | 1 | 0Ah (10°C) |

The THERM Hysteresis is used in conjunction with the THERM Limit Registers to assert the $\overline{\text{SYS_SHDN}}$ pin. In addition, the THERM Hysteresis Register is used with the High Limit Registers when the ALERT pin is configured to act as a comparator (see [Section 4.1.2](#)).

5.8 Therm Limit Registers

Table 5.11 Therm Limit Registers

| ADDR. | R/W | REGISTER | B7 | B6 | B5 | B4 | B3 | B2 | B1 | B0 | DEFAULT |
|-------|-----|------------------------------|------|----|----|----|----|----|----|----|------------|
| 19h | R/W | External Diode 1 THERM Limit | Sign | 64 | 32 | 16 | 8 | 4 | 2 | 1 | 55h (85°C) |
| 1Ah | R/W | External Diode 2 THERM Limit | Sign | 64 | 32 | 16 | 8 | 4 | 2 | 1 | 55h (85°C) |
| 20h | R/W | Internal Diode THERM Limit | Sign | 64 | 32 | 16 | 8 | 4 | 2 | 1 | 55h (85°C) |
| 30h | R/W | External Diode 3 THERM Limit | Sign | 64 | 32 | 16 | 8 | 4 | 2 | 1 | 55h (85°C) |
| 64h | R/W | External Diode 4 THERM Limit | Sign | 64 | 32 | 16 | 8 | 4 | 2 | 1 | 55h (85°C) |
| 65h | R/W | External Diode 5 THERM Limit | Sign | 64 | 32 | 16 | 8 | 4 | 2 | 1 | 55h (85°C) |
| 66h | R/W | External Diode 6 THERM Limit | Sign | 64 | 32 | 16 | 8 | 4 | 2 | 1 | 55h (85°C) |
| 67h | R/W | External Diode 7 THERM Limit | Sign | 64 | 32 | 16 | 8 | 4 | 2 | 1 | 55h (85°C) |

The THERM Limit Registers are used to set the threshold for the software inputs to the Critical / Thermal Shutdown circuitry. If the measured channel is linked to the Critical / Thermal Shutdown circuitry and meets or exceeds this limit, then the $\overline{\text{SYS_SHDN}}$ pin will be asserted.

5.9 External Diode Fault Register

Table 5.12 External Diode Fault Register

| ADDR | R/W | REGISTER | B7 | B6 | B5 | B4 | B3 | B2 | B1 | B0 | DEFAULT |
|------|-----|----------------------|-------|-------|-------|-------|-------|-------|-------|----|---------|
| 1Bh | R-C | External Diode Fault | E7FLT | E6FLT | E5FLT | E4FLT | E3FLT | E2FLT | E1FLT | - | 00h |

The External Diode Fault Register indicates which of the external diodes caused the FAULT bit in the Status Register to be set. These bits are cleared when read if the error condition has been removed.

Bit 7 - E7FLT - This bit is set if the External Diode 7 channel reported a diode fault.

Bit 6 - E6FLT - This bit is set if the External Diode 6 channel reported a diode fault.

Bit 5 - E5FLT - This bit is set if the External Diode 5 channel reported a diode fault.

Bit 4 - E4FLT - This bit is set if the External Diode 4 channel reported a diode fault.

Bit 3 - E3FLT - This bit is set if the External Diode 3 channel reported a diode fault.

Bit 2 - E2FLT - This bit is set if the External Diode 2 channel reported a diode fault.

Bit 1 - E1FLT - This bit is set if the External Diode 1 channel reported a diode fault.

5.10 TRIP_SET Reading Register

Table 5.13 TRIP_SET Reading Register

| ADDR | R/W | REGISTER | B7 | B6 | B5 | B4 | B3 | B2 | B1 | B0 | DEFAULT |
|------|-----|------------------|-------|-------|-------|-------|------|-------|-------|------|---------|
| 1Ch | R | TRIP_SET Reading | 752.9 | 376.5 | 188.2 | 94.12 | 47.1 | 23.53 | 11.76 | 5.88 | 00h |

The TRIP_SET Reading Register stores the voltage measured on the TRIP_SET pin. The bit weighting represents mV above 0V.

5.11 Software Thermal Shutdown Configuration Register

Table 5.14 Software Thermal Shutdown Configuration Register

| ADDR | R/W | REGISTER | B7 | B6 | B5 | B4 | B3 | B2 | B1 | B0 | DEFAULT |
|------|-----|---|--------|--------|--------|--------|--------|--------|--------|---------|---------|
| 1Dh | R/W | Software Thermal Shutdown Configuration | E7 SYS | E6 SYS | E5 SYS | E4 SYS | E3 SYS | E2 SYS | E1 SYS | INT SYS | 00h |

The Software Thermal Shutdown Configuration Register controls whether any of the software channels will assert the $\overline{\text{SYS_SHDN}}$ pin. If a channel is enabled, the temperature is compared against the

corresponding THERM Limit. If the measured temperature meets or exceeds the THERM Limit, then the SYS_SHDN pin is asserted. This functionality is in addition to the Hardware Shutdown circuitry.

Bits 7-1 - ExSYS - configures the External Diode X channel to assert the $\overline{\text{SYS_SHDN}}$ pin based on its respective THERM Limit (see Section 5.20 for details on the ExTHERM status bits).

- '0' (default) - the External Diode X channel is not linked to the $\overline{\text{SYS_SHDN}}$ pin. If the temperature meets or exceeds its THERM Limit, the ExTHERM status bit is set but the $\overline{\text{SYS_SHDN}}$ pin is not asserted.
- '1' - the External Diode X channel is linked to the $\overline{\text{SYS_SHDN}}$ pin. If the temperature meets or exceeds its THERM Limit, the ExTHERM status bit is set and the $\overline{\text{SYS_SHDN}}$ pin is asserted. It will remain asserted until the temperature drops below its THERM Limit minus the THERM Hysteresis.

Bit 0 - INTSYS - configures the Internal Diode channel to assert the $\overline{\text{SYS_SHDN}}$ pin based on its respective THERM Limit (see Section 5.20 for details on the ITHERM status bit).

- '0' (default) - the Internal Diode channel is not linked to the $\overline{\text{SYS_SHDN}}$ pin. If the temperature meets or exceeds its THERM Limit, the ITHERM status bit is set but the $\overline{\text{SYS_SHDN}}$ pin is not asserted.
- '1' - the Internal Diode channel is linked to the $\overline{\text{SYS_SHDN}}$ pin. If the temperature meets or exceeds its THERM Limit, the ITHERM status bit is set and the $\overline{\text{SYS_SHDN}}$ pin is asserted. It will remain asserted until the temperature drops below its THERM Limit minus the THERM Hysteresis.

5.12 Hardware Critical / Thermal Shutdown Limit Register

Table 5.15 Hardware Thermal Shutdown Limit Register

| ADDR | R/W | REGISTER | B7 | B6 | B5 | B4 | B3 | B2 | B1 | B0 | DEFAULT |
|------|-----|---------------------------------|----|----|----|----|----|----|----|----|---------|
| 1Eh | R | Hardware Thermal Shutdown Limit | - | 64 | 32 | 16 | 8 | 4 | 2 | 1 | N/A |

This read only register returns the Hardware Thermal Shutdown Limit selected by the TRIP_SET voltage. The data represents the hardware set temperature in °C. See Table 5.2 for the data format.

When the External Diode 1 Temperature meets or exceeds this limit, the $\overline{\text{SYS_SHDN}}$ pin is asserted and will remain asserted until the External Diode 1 Temperature drops below this limit minus 10°C.

5.13 Channel Interrupt Mask Register

Table 5.16 Channel Interrupt Mask Register

| ADDR | R/W | REGISTER | B7 | B6 | B5 | B4 | B3 | B2 | B1 | B0 | DEFAULT |
|------|-----|--------------|---------|---------|---------|---------|---------|---------|---------|----------|---------|
| 1Fh | R/W | Channel Mask | E7_ MSK | E6_ MSK | E5_ MSK | E4_ MSK | E3_ MSK | E2_ MSK | E1_ MSK | INT_ MSK | F0h |

The Channel Interrupt Mask Register controls individual channel masking. When a channel is masked, the $\overline{\text{ALERT}}$ pin will not be asserted when the masked channel reads a diode fault or out of limit error. The channel mask does not mask the $\overline{\text{SYS_SHDN}}$ pin.

Bits 7-4 - Ex_MSK - Prevents the $\overline{\text{ALERT}}$ pin from being asserted when the External Diode X channel is out of limit or reports a diode fault. If the EXT6_APD bit is not set (see [Section 5.23](#)), then the EXT7_MSK bit is ignored. Likewise, if the EXT4_APD bit is not set, then the EXT5_MSK bit is ignored.

- '0' - The External Diode X channel will cause the $\overline{\text{ALERT}}$ pin to be asserted if it is out of limit or reports a diode fault.
- '1' (default) - The External Diode X channel will not cause the $\overline{\text{ALERT}}$ pin to be asserted if it is out of limit or reports a diode fault.

Bits 3-1- Ex_MSK - Prevents the $\overline{\text{ALERT}}$ pin from being asserted when the External Diode X channel is out of limit or reports a diode fault. If the EXT2_APD bit is not set (see [Section 5.23](#)), then the EXT3_MSK bit is ignored.

- '0' - (default) The External Diode X channel will cause the $\overline{\text{ALERT}}$ pin to be asserted if it is out of limit or reports a diode fault.
- '1' - The External Diode X channel will not cause the $\overline{\text{ALERT}}$ pin to be asserted if it is out of limit or reports a diode fault.

Bit 0 - INT_MSK- Prevents the $\overline{\text{ALERT}}$ pin from being asserted when the Internal Diode temperature is out of limit.

- '0' (default) - The Internal Diode channel will cause the $\overline{\text{ALERT}}$ pin to be asserted if it is out of limit.
- '1' - The Internal Diode channel will not cause the $\overline{\text{ALERT}}$ pin to be asserted if it is out of limit.

5.14 Consecutive ALERT Register

Table 5.17 Consecutive ALERT Register

| ADDR. | R/W | REGISTER | B7 | B6 | B5 | B4 | B3 | B2 | B1 | B0 | DEFAULT |
|-------|-----|-------------------|----------|----------|----------|----------|---------|---------|---------|----|---------|
| 22h | R/W | Consecutive ALERT | TIME OUT | CTHE RM2 | CTHE RM1 | CTHE RM0 | CAL RT2 | CAL RT1 | CAL RT0 | - | 70h |

The Consecutive ALERT Register determines how many times an out-of-limit error or diode fault must be detected in consecutive measurements before the interrupt status registers are asserted.

Each out of limit error and diode fault condition has its own counter associated with it. Each counter is incremented whenever the corresponding channel exceeds the appropriate limit. Additionally, each counter is reset if the condition has been removed. (i.e. if External Diode 1 exceeds its high limit, it will increment the high counter. If, on the next measurement, it experiences a diode fault, the high limit counter will be reset and the diode fault counter will be incremented).

When the ALERT pin is configured as an interrupt and the consecutive alert counter reaches its programmed value then the STATUS bit(s) for that channel and the error condition will be set to '1' and the $\overline{\text{ALERT}}$ pin will be asserted. Measurements will continue normally.

When the $\overline{\text{ALERT}}$ pin is configured as a comparator, the consecutive alert counter will ignore diode fault and low limit errors and only increment if the measured temperature meets or exceeds the High Limit. Additionally, once the consecutive alert counter reaches the programmed limit, the $\overline{\text{ALERT}}$ pin will be asserted, but the counter will not be reset. It will remain set until the temperature drops below the High Limit minus the THERM Hysteresis value.

For example, if the CALRT[2:0] bits are set for 4 consecutive alerts on an EMC1428 device, the high limits are set at 70°C, and none of the channels are masked, then the status bits will be asserted after the following four measurements:

1. Internal Diode reads 71°C and both external diodes read 69°C. Consecutive alert counter for INT is incremented to 1.
2. Both the Internal Diode and the External Diode 1 read 71°C and External Diode 2 reads 68°C. Consecutive alert counter for INT is incremented to 2 and for EXT1 is set to 1.
3. The External Diode 1 reads 71°C and both the Internal Diode and External Diode 2 read 69°C. Consecutive alert counter for INT and EXT2 are cleared and EXT1 is incremented to 2.
4. The Internal Diode reads 71°C and both external diodes read 71°C. Consecutive alert counter for INT is set to 1, EXT2 is set to 1, and EXT1 is incremented to 3.
5. The Internal Diode reads 71°C and both the external diodes read 71°C. Consecutive alert counter for INT is incremented to 2, EXT2 is set to 2, and EXT1 is incremented to 4. The HIGH status bit are set for EXT1 and the ALERT pin is asserted. The EXT1 counter is reset to 0 and all other counters hold the last value until the next temperature measurement.

Bit 7 - TIMEOUT - Determines whether the SMBus Timeout function is enabled.

- '0' (default) - The SMBus Timeout feature is disabled. The SMCLK line can be held low indefinitely without the device resetting its SMBus protocol.
- '1' - The SMBus Timeout feature is enabled. If the SMCLK line is held low for more than 30ms, then the device will reset the SMBus protocol.

Bits 6-4 CTHRM[2:0] - Determines the number of consecutive measurements that must exceed the corresponding THERM Limit and Hardware Thermal Shutdown Limit before the SYS_SHDN pin is asserted. All temperature channels use this value to set the respective counters. The consecutive THERM counter is incremented whenever any of the measurements exceed the corresponding THERM Limit or if the External Diode 1 measurement meets or exceeds the Hardware Thermal Shutdown Limit.

If the temperature drops below the THERM limit or Hardware Thermal Shutdown Limit, then the counter is reset. If the programmed number of consecutive measurements exceed the THERM Limit or Hardware Thermal Shutdown Limit, and the appropriate channel is linked to the SYS_SHDN pin, then the SYS_SHDN pin will be asserted low.

Once the SYS_SHDN pin is asserted, the consecutive THERM counter will not reset until the corresponding temperature drops below the appropriate limit minus the corresponding hysteresis.

The bits are decoded as shown in [Table 5.18](#). The default setting is 4 consecutive out of limit conversions.

Bits 3-1 - CALRT[2:0] - Determine the number of consecutive measurements that must have an out of limit condition or diode fault before the STATUS bits is asserted. All temperature channels use this value to set the respective counters. The bits are decoded as shown in [Table 5.18](#). The default setting is 1 consecutive out of limit conversion.

APPLICATION NOTE: If one of the fault queues is not cleared and the CALRT[2:0] (or CTHRM[2:0]) bits are updated, the update won't take affect until fault queue is cleared. All the fault queues are independent so those that are empty will be updated immediately.

Table 5.18 Consecutive Alert Settings

| 2 | 1 | 0 | NUMBER OF CONSECUTIVE OUT OF LIMIT MEASUREMENTS |
|---|---|---|---|
| 0 | 0 | 0 | 1 (default for CALRT[2:0]) |
| 0 | 0 | 1 | 2 |

Table 5.18 Consecutive Alert Settings (continued)

| 2 | 1 | 0 | NUMBER OF CONSECUTIVE OUT OF LIMIT MEASUREMENTS |
|------------|---|---|---|
| 0 | 1 | 1 | 3 |
| 1 | 1 | 1 | 4 (default for CTHRM[2:0]) |
| All Others | | | 1 (CALRT[2:0]), 4 (CTHRM[2:0]) |

5.15 Beta Configuration Register

Table 5.19 Beta Configuration Register

| ADDR. | R/W | REGISTER | B7 | B6 | B5 | B4 | B3 | B2 | B1 | B0 | DEFAULT |
|-------|-----|-------------------------------------|----|----|----|----|-------|------------|----|----|---------|
| 25h | R | External Diode 1 Beta Configuration | - | - | - | - | AUTO1 | BETA1[2:0] | | | 08h |
| 26h | R/W | External Diode 2 Beta Configuration | - | - | - | - | AUTO2 | BETA2[2:0] | | | 08h |
| 71h | R/W | External Diode 4 Beta Configuration | - | - | - | - | AUTO4 | BETA4[2:0] | | | 08h |
| 72h | R/W | External Diode 6 Beta Configuration | - | - | - | - | AUTO6 | BETA6[2:0] | | | 07h |

These registers are used to set the Beta Compensation factor that is used for the External Diode channels.

Bit 3 - AUTOx - Enables the Beta Compensation factor autodetection function.

- '0' - The Beta Compensation Factor autodetection circuitry is disabled. The External Diode will always use the Beta Compensation factor set by the BETAx[2:0] bits.
- '1' (default) - The Beta Compensation factor autodetection circuitry is enabled. At the beginning of every conversion, the optimal Beta Compensation factor setting will be determined and applied. The BETAx[2:0] bits will be automatically updated to indicate the current setting.

Bit 2-0 - BETAx[2:0] - These bits always reflect the current beta configuration settings. These bits will be updated automatically and writing to these bits will have no effect.

Table 5.20 Beta Compensation Look Up Table

| BETAX[2:0] | | | MINIMUM BETA |
|------------|---|---|--------------|
| 2 | 1 | 0 | |
| 0 | 0 | 0 | ≤ 0.08 |
| 0 | 0 | 1 | ≤ 0.111 |
| 0 | 1 | 0 | ≤ 0.176 |

Table 5.20 Beta Compensation Look Up Table (continued)

| BETAX[2:0] | | | MINIMUM BETA |
|------------|---|---|--------------|
| 2 | 1 | 0 | |
| 0 | 1 | 1 | ≤ 0.29 |
| 1 | 0 | 0 | ≤ 0.48 |
| 1 | 0 | 1 | ≤ 0.9 |
| 1 | 1 | 0 | ≤ 2.33 |
| 1 | 1 | 1 | Disabled |

5.16 Hottest Temperature Registers

Table 5.21 Hottest Temperature Registers

| ADDR | R/W | REGISTER | B7 | B6 | B5 | B4 | B3 | B2 | B1 | B0 | DEFAULT |
|------|-----|-------------------------------|------|------|-------|----|----|----|----|----|---------|
| 32h | R | Hottest Temperature High Byte | Sign | 64 | 32 | 16 | 8 | 4 | 2 | 1 | 80h |
| 33h | R | Hottest Temperature Low Byte | 0.5 | 0.25 | 0.125 | - | - | - | - | - | 00h |

The Hottest Temperature Registers store the measured hottest temperature of all the selected external diode channels (see [Section 5.22](#)). If no External diodes are selected then the High Byte Register will read 80h. The data format is the same as the temperature channels.

5.17 Hottest Temperature Status Register

Table 5.22 Hottest Temperature Register

| ADDR | R/W | REGISTER | B7 | B6 | B5 | B4 | B3 | B2 | B1 | B0 | DEFAULT |
|------|-----|----------------------------|------|------|------|------|------|------|------|-----|---------|
| 34h | R | Hottest Temperature Status | EXT7 | EXT6 | EXT5 | EXT4 | EXT3 | EXT2 | EXT1 | INT | 00h |

The Hottest Temperature Status Register flags which external diode temperature is hottest. If multiple temperature channels measure the same temperature and are equal to the hottest temperature, then hottest status will be based on the measurement order.

Bit 7 - EXT7 - The External Diode 7 channel is the hottest.

Bit 6 - EXT6 - The External Diode 6 channel is the hottest.

Bit 4 - EXT5 - The External Diode 5 channel is the hottest.

Bit 3 - EXT4 - The External Diode 4 channel is the hottest.

Bit 3 - EXT3 - The External Diode 3 channel is the hottest.

Bit 2 - EXT2 - The External Diode 2 channel is the hottest.

Bit 1 - EXT1 - The External Diode 1 channel is the hottest.

Bit 0 - INT - The Internal Diode channel is the hottest.

5.18 High Limit Status Register

Table 5.23 High Limit Status Register

| ADDR | R/W | REGISTER | B7 | B6 | B5 | B4 | B3 | B2 | B1 | B0 | DEFAULT |
|------|-----|-------------------|---------|---------|---------|---------|---------|---------|---------|--------|---------|
| 35h | R-C | High Limit Status | E7 HIGH | E6 HIGH | E5 HIGH | E4 HIGH | E3 HIGH | E2 HIGH | E1 HIGH | I HIGH | 00h |

The High Limit Status Register contains the status bits that are set when a temperature channel high limit is exceeded for a number of consecutive readings as set by the consecutive alert counts (see [Section 5.14](#)). If any of these bits are set, then the HIGH status bit in the Status Register is set. Reading from the High Limit Status Register will clear all bits if the error condition has been removed. Reading from the register will also clear the HIGH status bit in the Status Register.

The $\overline{\text{ALERT}}$ pin will be set if any of these status bits are set.

Bit 7 - E7HIGH - This bit is set when the External Diode 7 channel meets or exceeds its programmed high limit.

Bit 6 - E6HIGH - This bit is set when the External Diode 6 channel meets or exceeds its programmed high limit.

Bit 5 - E5HIGH - This bit is set when the External Diode 5 channel meets or exceeds its programmed high limit.

Bit 4 - E4HIGH - This bit is set when the External Diode 4 channel meets or exceeds its programmed high limit.

Bit 3 - E3HIGH - This bit is set when the External Diode 3 channel meets or exceeds its programmed high limit.

Bit 2 - E2HIGH - This bit is set when the External Diode 2 channel meets or exceeds its programmed high limit.

Bit 1 - E1HIGH - This bit is set when the External Diode 1 channel meets or exceeds its programmed high limit.

Bit 0 - IHIGH - This bit is set when the Internal Diode channel meets or exceeds its programmed high limit.

5.19 Low Limit Status Register

Table 5.24 Low Limit Status Register

| ADDR. | R/W | REGISTER | B7 | B6 | B5 | B4 | B3 | B2 | B1 | B0 | DEFAULT |
|-------|-----|------------------|-----------|-----------|-----------|-----------|-----------|-----------|-----------|------|---------|
| 36h | R-C | Low Limit Status | E7 LOW | E6 LOW | E5 LOW | E4 LOW | E3 LOW | E2 LOW | E1 LOW | ILOW | 00h |

The Low Limit Status Register contains the status bits that are set when a temperature channel drops below the low limit for a number of consecutive readings as set by the consecutive alert counts (see [Section 5.14](#)). If any of these bits are set, then the LOW status bit in the Status Register is set. Reading from the Low Limit Status Register will clear all bits if the error condition has been removed. Reading from the register will also clear the LOW status bit in the Status Register.

The $\overline{\text{ALERT}}$ pin will be set if any of these status bits are set.

Bit 7 - E7LOW - This bit is set when the External Diode 7 channel drops below its programmed low limit.

Bit 6 - E6LOW - This bit is set when the External Diode 6 channel drops below its programmed low limit.

Bit 5 - E5LOW - This bit is set when the External Diode 5 channel drops below its programmed low limit.

Bit 4 - E4LOW - This bit is set when the External Diode 4 channel drops below its programmed low limit.

Bit 3 - E3LOW - This bit is set when the External Diode 3 channel drops below its programmed low limit.

Bit 2 - E2LOW - This bit is set when the External Diode 2 channel drops below its programmed low limit.

Bit 1 - E1LOW - This bit is set when the External Diode 1 channel drops below its programmed low limit.

Bit 0 - ILOW - This bit is set when the Internal Diode channel drops below its programmed low limit.

5.20 THERM Limit Status Register

Table 5.25 THERM Limit Status Register

| ADDR | R/W | REGISTER | B7 | B6 | B5 | B4 | B3 | B2 | B1 | B0 | DEFAULT |
|------|-----|--------------------|-------------|-------------|-------------|-------------|-------------|-------------|-------------|------------|---------|
| 37h | R-C | THERM Limit Status | E7 THERM | E6 THERM | E5 THERM | E4 THERM | E3 THERM | E2 THERM | E1 THERM | I THERM | 00h |

The THERM Limit Status Register contains the status bits that are set when a temperature channel THERM Limit is exceeded for a number of consecutive readings as set by the consecutive therm counts (see [Section 5.14](#)). If any of these bits are set, then the THERM status bit in the Status Register is set. Reading from the THERM Limit Status Register will not clear the status bits. Once the temperature drops below the THERM Limit minus the THERM Hysteresis, the corresponding status

bits will be automatically cleared. The THERM bit in the Status Register will be cleared when all individual channel THERM bits are cleared.

Bit 7 - E7THERM - This bit is set when the External Diode 7 channel meets or exceeds its programmed THERM Limit.

Bit 6 - E6THERM - This bit is set when the External Diode 6 channel meets or exceeds its programmed THERM Limit.

Bit 5 - E5THERM - This bit is set when the External Diode 5 channel meets or exceeds its programmed THERM Limit.

Bit 4 - E4THERM - This bit is set when the External Diode 4 channel meets or exceeds its programmed THERM Limit.

Bit 3 - E3THERM - This bit is set when the External Diode 3 channel meets or exceeds its programmed THERM Limit.

Bit 2 - E2THERM - This bit is set when the External Diode 2 channel meets or exceeds its programmed THERM Limit.

Bit 1 - E1THERM - This bit is set when the External Diode 1 channel meets or exceeds its programmed THERM limit.

Bit 0- ITHERM - This bit is set when the Internal Diode channel meets or exceeds its programmed THERM limit.

5.21 REC Configuration Register

Table 5.26 REC Configuration Register

| ADDR | R/W | REGISTER | B7 | B6 | B5 | B4 | B3 | B2 | B1 | B0 | DEFAULT |
|------|-----|------------|-------------|--------------|--------------|--------------|--------------|--------------|--------------|----|---------|
| 39h | R/W | REC Config | E7 REC_n | E6_ REC_n | E5_ REC_n | E4_ REC_n | E3_ REC_n | E2_ REC_n | E1_ REC_n | - | 00h |

The REC Control Register controls the Resistance Error Correction circuitry for each of the external diode channels.

Bits 7 -0- EX_REC_n - Disables the Resistance Error Correction (REC) for the External Diode X channel.

- '0' (default) - REC is enabled.
- '1' - REC is disabled.

5.22 Hottest Configuration Register

Table 5.27 Hottest Configuration Register

| ADDR | R/W | REGISTER | B7 | B6 | B5 | B4 | B3 | B2 | B1 | B0 | DEFAULT |
|------|-----|-------------------|-------|-------|-------|-------|-------|-------|-------|------|---------|
| 3Ah | R/W | Hottest Config | E7HOT | E6HOT | E5HOT | E4HOT | E3HOT | E2HOT | E1HOT | IHOT | 00h |

The Hottest Configuration Register determines which External Diode Channels (if any) are compared during the “Hottest Of” comparison that is automatically performed at the end of every conversion cycle.

Bits 7 - 0 - ExHOT - Controls whether the External Diode X temperature data is compared during the “Hottest Of” comparison.

- ‘0’ (default) - The External Diode X channel is not compared during the “Hottest Of” Comparison.
- ‘1’ - The External Diode X channel temperature data is compared to all other indicated channels during the “Hottest Of” Comparison.

Bit 0 - IHOT - Controls whether the Internal Diode temperature data is compared during the “Hottest Of” comparison.

- ‘0’ (default) - The Internal Diode channel is not compared during the “Hottest Of” Comparison.
- ‘1’ - The Internal Diode channel temperature data is compared to all other indicated channels during the “Hottest Of” Comparison.

5.23 Channel Configuration Register

Table 5.28 Channel Configuration Register

| ADDR | R/W | REGISTER | B7 | B6 | B5 | B4 | B3 | B2 | B1 | B0 | DEFAULT |
|------|-----|----------------|---------|----|----|----|----------|----------|----------|----|---------|
| 3Bh | R/W | Channel Config | REM_HOT | - | - | - | EXT6_APD | EXT4_APD | EXT2_APD | - | 00h |

The Channel Configuration Register determines which external diode channels are active in the device.

Bit 7 - REM_HOT - Enables circuitry that will remember the last temperature channel that was determined to be the Hottest and flag an error if the hottest temperature channel changes.

- ‘0’ (default) - The HOTTEST status bit will not be asserted if the hottest temperature channel changes.
- ‘1’ - If the hottest temperature channel changes, then the HOTTEST status bit will be asserted.

Bit 3 - EXT6_APD - Enables the DP6 / DN7 and DN6 / DP7 pins to support two anti-parallel diode connections versus a single diode connection.

- ‘0’ (default) - The DP6 / DN7 and DN6 / DP7 pins do not support two anti-parallel diode connections. The pins will only monitor a single external diode (External Diode 6).
- ‘1’ - The DP6 / DN7 and DN6 / DP7 pins support two anti-parallel diode connections (External Diode 6 and External Diode 7).

Bit 2 - EXT4_APD - Enables the DP4 / DN5 and DN4 / DP5 pins to support two anti-parallel diode connections versus a single diode connection.

- ‘0’ (default) - The DP4 / DN5 and DN4 / DP5 pins do not support two anti-parallel diode connections. The pins will only monitor a single external diode (External Diode 4).
- ‘1’ - The DP4 / DN5 and DN4 / DP5 pins support two anti-parallel diode connections (External Diode 4 and External Diode 5).

Bit 1 - EXT2_APD- Enables the DP2 / DN3 and DN2 / DP3 pins to support two anti-parallel diode connections versus a single diode connection.

- '0' (default) - The DP2 / DN3 and DN2 / DP3 pins do not support two anti-parallel diode connections. The pins will only monitor a single external diode (External Diode 2).
- '1' - The DP2 / DN3 and DN2 / DP3 pins support two anti-parallel diode connections (External Diode 2 and External Diode 3).

5.24 Filter Control Register

Table 5.29 Filter Control Register

| ADDR | R/W | REGISTER | B7 | B6 | B5 | B4 | B3 | B2 | B1 | B0 | DEFAULT |
|------|-----|----------------|---------|---------|---------|---------|---------|---------|---------|----|---------|
| 40h | R/W | Filter Control | AVG7_EN | AVG6_EN | AVG5_EN | AVG4_EN | AVG3_EN | AVG2_EN | AVG1_EN | - | 00h |

The Filter Configuration Register controls the digital filter on the external diode channels.

Bits 7 - 0 - AVGx_EN- Control the digital averaging that is applied to the External Diode X temperature measurements.

- '0' (default) - Digital Averaging is disabled.
- '1' - Digital averaging is enabled as a 4x running average for the External Diode X channel.

5.25 Product ID Register

Table 5.30 Product ID Register

| ADDR | R/W | REGISTER | B7 | B6 | B5 | B4 | B3 | B2 | B1 | B0 | DEFAULT |
|------|-----|------------|----|----|----|----|----|----|----|----|----------------|
| FDh | R | Product ID | 0 | 0 | 1 | 0 | 1 | 0 | 0 | 1 | 29h EMC1428 |

The Product ID Register holds a unique value that identifies the device.

5.26 Manufacturer ID Register (FEh)

Table 5.31 Manufacturer ID Register

| ADDR. | R/W | REGISTER | B7 | B6 | B5 | B4 | B3 | B2 | B1 | B0 | DEFAULT |
|-------|-----|-----------------|----|----|----|----|----|----|----|----|---------|
| FEh | R | Manufacturer ID | 0 | 1 | 0 | 1 | 1 | 1 | 0 | 1 | 5Dh |

The Manufacturer ID Register holds an 8-bit word that identifies Microchip.

5.27 Revision Register (FFh)

Table 5.32 Revision Register

| ADDR. | R/W | REGISTER | B7 | B6 | B5 | B4 | B3 | B2 | B1 | B0 | DEFAULT |
|-------|-----|----------|----|----|----|----|----|----|----|----|---------|
| FFh | R | Revision | 0 | 0 | 0 | 0 | 0 | 0 | 0 | 1 | 01h |

The Revision register contains an 8 bit word that identifies the die revision.

Chapter 6 Package Information

Note: For the most current package drawings, see the Microchip Packaging Specification at <http://www.microchip.com/packaging>.

6.1 EMC1428 Package Drawing

| COMMON DIMENSIONS | | | | | |
|-------------------|----------|------|------|------|--------------------------|
| SYMBOL | MIN | NOM | MAX | NOTE | REMARK |
| A | 0.80 | 0.85 | 0.90 | - | OVERALL PACKAGE HEIGHT |
| A1 | 0 | 0.02 | 0.05 | - | STANDOFF |
| A3 | 0.20 REF | | | - | LEAD-FRAME THICKNESS |
| D/E | 3.90 | 4.00 | 4.10 | - | X/Y BODY SIZE |
| D2/E2 | 2.00 | 2.10 | 2.20 | 2 | X/Y EXPOSED PAD SIZE |
| L | 0.45 | 0.50 | 0.55 | - | TERMINAL LENGTH |
| b | 0.25 | 0.30 | 0.35 | 2 | TERMINAL WIDTH |
| K | 0.20 | - | - | - | TERMINAL TO PAD DISTANCE |
| e | 0.65 BSC | | | - | TERMINAL PITCH |

NOTES:

1. ALL DIMENSIONS ARE IN MILLIMETERS.
2. POSITION TOLERANCE OF EACH TERMINAL AND EXPOSED PAD IS $\pm 0.05\text{mm}$ AT MAXIMUM MATERIAL CONDITION. DIMENSIONS "b" APPLIES TO PLATED TERMINALS AND IT IS MEASURED BETWEEN 0.15 AND 0.30 mm FROM THE TERMINAL TIP.
3. DETAILS OF TERMINAL #1 IDENTIFIER ARE OPTIONAL BUT MUST BE LOCATED WITHIN THE AREA INDICATED.

Figure 6.1 16-Pin QFN 4mm x 4mm Package Dimensions

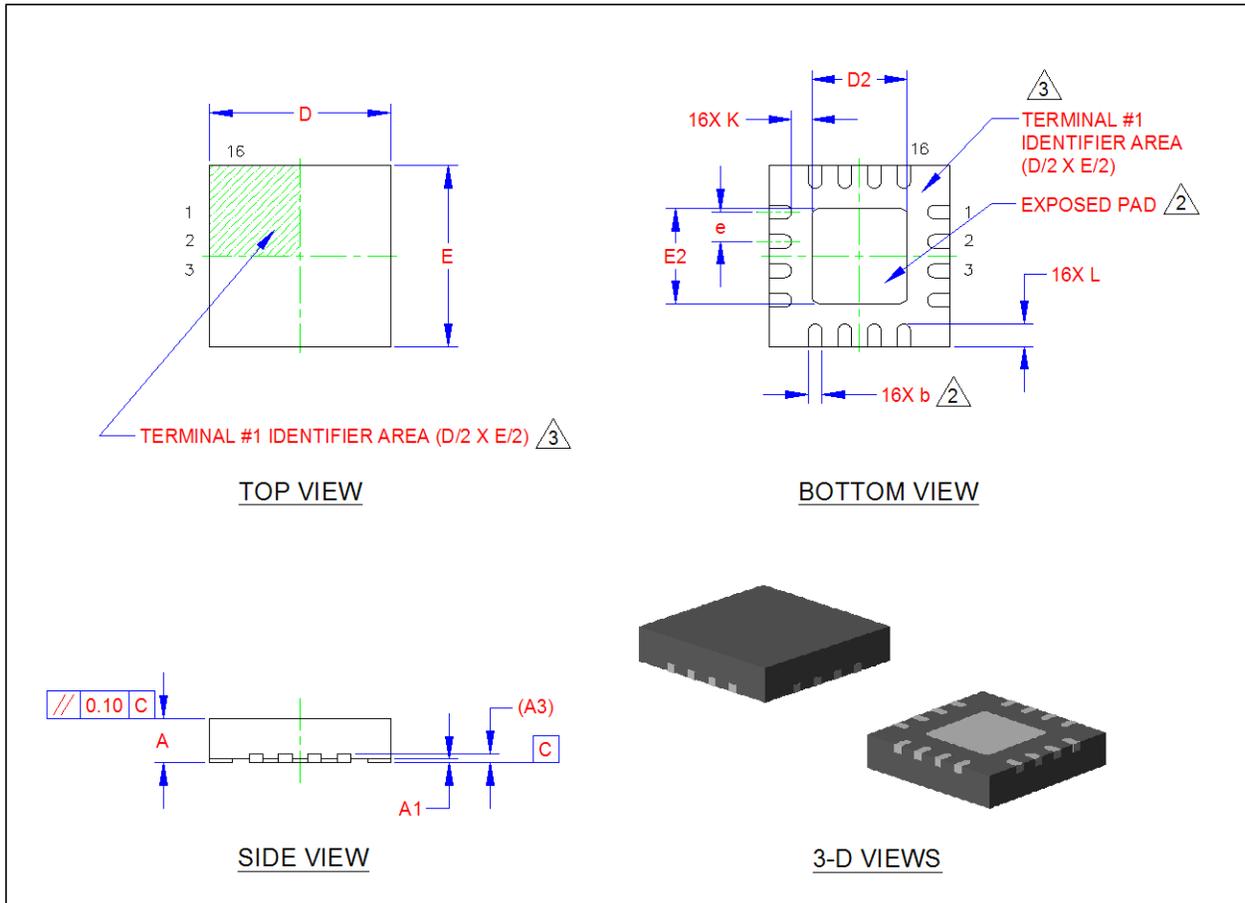


Figure 6.2 16-Pin QFN 4mm x 4mm Package Drawing

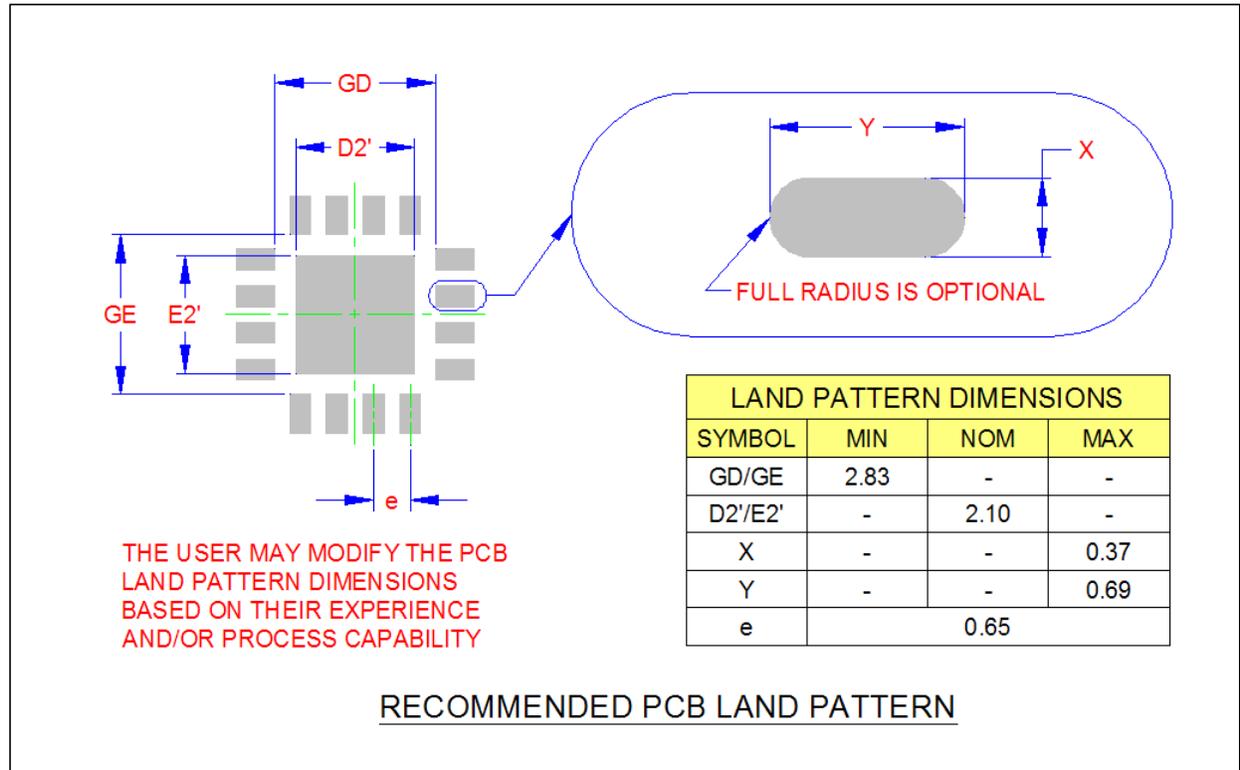


Figure 6.3 16-Pin QFN 4mm x 4mm PCB Footprint

6.2 Package Markings

6.2.1 EMC1428-X-AP (16-Pin QFN)

All devices will be marked on the first line of the top side with "1428" and "-X". On they second line, packages are marked with the Lot Number. On the third line, packages are marked with Functional Revision code "B" and the Country Code (CC).

Chapter 7 Data Sheet Revision History

Table 7.1 Revision History

| REVISION LEVEL AND DATE | SECTION/FIGURE/ENTRY | CORRECTION |
|-------------------------|---|--|
| REV A | REV A replaces previous SMSC version Rev. 0.70 (04-19-13) | |
| Rev. 0.70 (04-19-13) | Ordering Number | Corrected EMC1428-7 part number, adding -CB7 as a suffix |
| Rev. 0.69 (06-29-09) | Table 1.1, "EMC1428 Pin Description" | Added "requires external pullup resistor" to SMDATA and SMCLK in function column |
| | Table 1.1, "EMC1428 Pin Description" | Added the following application note below table: "For the 5V tolerant pins that have a pull-up resistor, the voltage difference between VDD and the pull-up voltage must never exceed 3.6V." |
| | Table 2.1, "Absolute Maximum Ratings" | Updated voltage limits for 5V tolerant pins with pull-up resistors. Added the following note below table: "For the 5V tolerant pins that have a pull-up resistor, the pull-up voltage must not exceed 3.6V when the device is unpowered." Updated thetaJA from 40 to 50. |
| Rev. 0.67 (06-16-08) | Ordering Information | Added EMC1428-7 |
| | Section 3.7, "SMBus Address" | Added EMC1428-7 Address options |

Note the following details of the code protection feature on Microchip devices:

- Microchip products meet the specification contained in their particular Microchip Data Sheet.
- Microchip believes that its family of products is one of the most secure families of its kind on the market today, when used in the intended manner and under normal conditions.
- There are dishonest and possibly illegal methods used to breach the code protection feature. All of these methods, to our knowledge, require using the Microchip products in a manner outside the operating specifications contained in Microchip's Data Sheets. Most likely, the person doing so is engaged in theft of intellectual property.
- Microchip is willing to work with the customer who is concerned about the integrity of their code.
- Neither Microchip nor any other semiconductor manufacturer can guarantee the security of their code. Code protection does not mean that we are guaranteeing the product as “unbreakable.”

Code protection is constantly evolving. We at Microchip are committed to continuously improving the code protection features of our products. Attempts to break Microchip's code protection feature may be a violation of the Digital Millennium Copyright Act. If such acts allow unauthorized access to your software or other copyrighted work, you may have a right to sue for relief under that Act.

Information contained in this publication regarding device applications and the like is provided only for your convenience and may be superseded by updates. It is your responsibility to ensure that your application meets with your specifications. MICROCHIP MAKES NO REPRESENTATIONS OR WARRANTIES OF ANY KIND WHETHER EXPRESS OR IMPLIED, WRITTEN OR ORAL, STATUTORY OR OTHERWISE, RELATED TO THE INFORMATION, INCLUDING BUT NOT LIMITED TO ITS CONDITION, QUALITY, PERFORMANCE, MERCHANTABILITY OR FITNESS FOR PURPOSE. Microchip disclaims all liability arising from this information and its use. Use of Microchip devices in life support and/or safety applications is entirely at the buyer's risk, and the buyer agrees to defend, indemnify and hold harmless Microchip from any and all damages, claims, suits, or expenses resulting from such use. No licenses are conveyed, implicitly or otherwise, under any Microchip intellectual property rights.

Trademarks

The Microchip name and logo, the Microchip logo, dsPIC, FlashFlex, KEELOQ, KEELOQ logo, MPLAB, PIC, PICmicro, PICSTART, PIC³² logo, rPIC, SST, SST Logo, SuperFlash and UNI/O are registered trademarks of Microchip Technology Incorporated in the U.S.A. and other countries.

FilterLab, Hampshire, HI-TECH C, Linear Active Thermistor, MTP, SEEVAL and The Embedded Control Solutions Company are registered trademarks of Microchip Technology Incorporated in the U.S.A.

Silicon Storage Technology is a registered trademark of Microchip Technology Inc. in other countries.

Analog-for-the-Digital Age, Application Maestro, BodyCom, chipKIT, chipKIT logo, CodeGuard, dsPICDEM, dsPICDEM.net, dsPICworks, dsSPEAK, ECAN, ECONOMONITOR, FanSense, HI-TIDE, In-Circuit Serial Programming, ICSP, Mindi, MiWi, MPASM, MPF, MPLAB Certified logo, MPLIB, MPLINK, mTouch, Omniscient Code Generation, PICC, PICC-18, PICDEM, PICDEM.net, PICKit, PICtail, REAL ICE, rFLAB, Select Mode, SQI, Serial Quad I/O, Total Endurance, TSHARC, UniWinDriver, WiperLock, ZENA and Z-Scale are trademarks of Microchip Technology Incorporated in the U.S.A. and other countries.

SQTP is a service mark of Microchip Technology Incorporated in the U.S.A.

GestIC and ULPP are registered trademarks of Microchip Technology Germany II GmbH & Co. KG, a subsidiary of Microchip Technology Inc., in other countries.

A more complete list of registered trademarks and common law trademarks owned by Standard Microsystems Corporation (“SMSC”) is available at: www.smsc.com. The absence of a trademark (name, logo, etc.) from the list does not constitute a waiver of any intellectual property rights that SMSC has established in any of its trademarks.

All other trademarks mentioned herein are property of their respective companies.

© 2014, Microchip Technology Incorporated, Printed in the U.S.A., All Rights Reserved.

ISBN: 9781620779552

QUALITY MANAGEMENT SYSTEM
CERTIFIED BY DNV
== ISO/TS 16949 ==

Microchip received ISO/TS-16949:2009 certification for its worldwide headquarters, design and wafer fabrication facilities in Chandler and Tempe, Arizona; Gresham, Oregon and design centers in California and India. The Company's quality system processes and procedures are for its PIC® MCUs and dsPIC® DSCs, KEELOQ® code hopping devices, Serial EEPROMs, microperipherals, nonvolatile memory and analog products. In addition, Microchip's quality system for the design and manufacture of development systems is ISO 9001:2000 certified.



MICROCHIP

Worldwide Sales and Service

AMERICAS

Corporate Office
2355 West Chandler Blvd.
Chandler, AZ 85224-6199
Tel: 480-792-7200
Fax: 480-792-7277
Technical Support:
<http://www.microchip.com/support>
Web Address:
www.microchip.com

Atlanta
Duluth, GA
Tel: 678-957-9614
Fax: 678-957-1455

Austin, TX
Tel: 512-257-3370

Boston
Westborough, MA
Tel: 774-760-0087
Fax: 774-760-0088

Chicago
Itasca, IL
Tel: 630-285-0071
Fax: 630-285-0075

Cleveland
Independence, OH
Tel: 216-447-0464
Fax: 216-447-0643

Dallas
Addison, TX
Tel: 972-818-7423
Fax: 972-818-2924

Detroit
Novi, MI
Tel: 248-848-4000

Houston, TX
Tel: 281-894-5983

Indianapolis
Noblesville, IN
Tel: 317-773-8323
Fax: 317-773-5453

Los Angeles
Mission Viejo, CA
Tel: 949-462-9523
Fax: 949-462-9608

New York, NY
Tel: 631-435-6000

San Jose, CA
Tel: 408-735-9110

Canada - Toronto
Tel: 905-673-0699
Fax: 905-673-6509

ASIA/PACIFIC

Asia Pacific Office
Suites 3707-14, 37th Floor
Tower 6, The Gateway
Harbour City, Kowloon
Hong Kong
Tel: 852-2401-1200
Fax: 852-2401-3431

Australia - Sydney
Tel: 61-2-9868-6733
Fax: 61-2-9868-6755

China - Beijing
Tel: 86-10-8569-7000
Fax: 86-10-8528-2104

China - Chengdu
Tel: 86-28-8665-5511
Fax: 86-28-8665-7889

China - Chongqing
Tel: 86-23-8980-9588
Fax: 86-23-8980-9500

China - Hangzhou
Tel: 86-571-2819-3187
Fax: 86-571-2819-3189

China - Hong Kong SAR
Tel: 852-2943-5100
Fax: 852-2401-3431

China - Nanjing
Tel: 86-25-8473-2460
Fax: 86-25-8473-2470

China - Qingdao
Tel: 86-532-8502-7355
Fax: 86-532-8502-7205

China - Shanghai
Tel: 86-21-5407-5533
Fax: 86-21-5407-5066

China - Shenyang
Tel: 86-24-2334-2829
Fax: 86-24-2334-2393

China - Shenzhen
Tel: 86-755-8864-2200
Fax: 86-755-8203-1760

China - Wuhan
Tel: 86-27-5980-5300
Fax: 86-27-5980-5118

China - Xian
Tel: 86-29-8833-7252
Fax: 86-29-8833-7256

China - Xiamen
Tel: 86-592-2388138
Fax: 86-592-2388130

China - Zhuhai
Tel: 86-756-3210040
Fax: 86-756-3210049

ASIA/PACIFIC

India - Bangalore
Tel: 91-80-3090-4444
Fax: 91-80-3090-4123

India - New Delhi
Tel: 91-11-4160-8631
Fax: 91-11-4160-8632

India - Pune
Tel: 91-20-3019-1500

Japan - Osaka
Tel: 81-6-6152-7160
Fax: 81-6-6152-9310

Japan - Tokyo
Tel: 81-3-6880-3770
Fax: 81-3-6880-3771

Korea - Daegu
Tel: 82-53-744-4301
Fax: 82-53-744-4302

Korea - Seoul
Tel: 82-2-554-7200
Fax: 82-2-558-5932 or
82-2-558-5934

Malaysia - Kuala Lumpur
Tel: 60-3-6201-9857
Fax: 60-3-6201-9859

Malaysia - Penang
Tel: 60-4-227-8870
Fax: 60-4-227-4068

Philippines - Manila
Tel: 63-2-634-9065
Fax: 63-2-634-9069

Singapore
Tel: 65-6334-8870
Fax: 65-6334-8850

Taiwan - Hsin Chu
Tel: 886-3-5778-366
Fax: 886-3-5770-955

Taiwan - Kaohsiung
Tel: 886-7-213-7830

Taiwan - Taipei
Tel: 886-2-2508-8600
Fax: 886-2-2508-0102

Thailand - Bangkok
Tel: 66-2-694-1351
Fax: 66-2-694-1350

EUROPE

Austria - Wels
Tel: 43-7242-2244-39
Fax: 43-7242-2244-393

Denmark - Copenhagen
Tel: 45-4450-2828
Fax: 45-4485-2829

France - Paris
Tel: 33-1-69-53-63-20
Fax: 33-1-69-30-90-79

Germany - Dusseldorf
Tel: 49-2129-3766400

Germany - Munich
Tel: 49-89-627-144-0
Fax: 49-89-627-144-44

Germany - Pforzheim
Tel: 49-7231-424750

Italy - Milan
Tel: 39-0331-742611
Fax: 39-0331-466781

Italy - Venice
Tel: 39-049-7625286

Netherlands - Drunen
Tel: 31-416-690399
Fax: 31-416-690340

Poland - Warsaw
Tel: 48-22-3325737

Spain - Madrid
Tel: 34-91-708-08-90
Fax: 34-91-708-08-91

Sweden - Stockholm
Tel: 46-8-5090-4654

UK - Wokingham
Tel: 44-118-921-5800
Fax: 44-118-921-5820

10/28/13

Mouser Electronics

Authorized Distributor

Click to View Pricing, Inventory, Delivery & Lifecycle Information:

[Microchip:](#)

[EMC1438-2-AP-TR](#) [EMC1428-7-AP-TR-CB7](#)