



# DS1345Y/AB

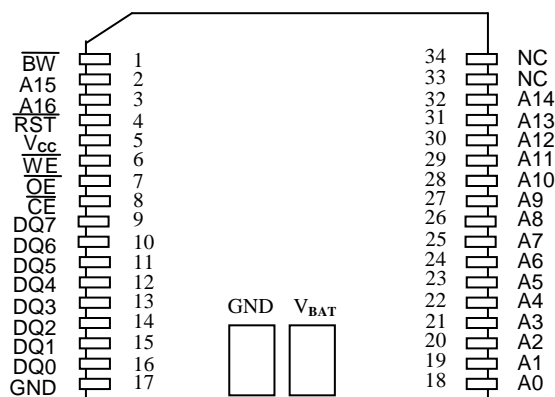
## 1024k Nonvolatile SRAM with Battery Monitor

www.maxim-ic.com

### FEATURES

- 10 years minimum data retention in the absence of external power
- Data is automatically protected during power loss
- Power supply monitor resets processor when  $V_{CC}$  power loss occurs and holds processor in reset during  $V_{CC}$  ramp-up
- Battery monitor checks remaining capacity daily
- Read and write access times of 70ns
- Unlimited write cycle endurance
- Typical standby current 50 $\mu$ A
- Upgrade for 128k x 8 SRAM, EEPROM or Flash
- Lithium battery is electrically disconnected to retain freshness until power is applied for the first time
- Full  $\pm 10\%$   $V_{CC}$  operating range (DS1345Y) or optional  $\pm 5\%$   $V_{CC}$  operating range (DS1345AB)
- Optional industrial temperature range of  $-40^{\circ}\text{C}$  to  $+85^{\circ}\text{C}$ , designated IND
- PowerCap Module (PCM) package
  - Directly surface-mountable module
  - Replaceable snap-on PowerCap provides lithium backup battery
  - Standardized pinout for all nonvolatile (NV) SRAM products
  - Detachment feature on PowerCap allows easy removal using a regular screwdriver

### PIN ASSIGNMENT



34-Pin PowerCap Module (PCM)

(Uses DS9034PC+ or DS9034PCI+ PowerCap)

### PIN DESCRIPTION

|                         |                          |
|-------------------------|--------------------------|
| A0 – A16                | - Address Inputs         |
| DQ0 – DQ7               | - Data In/Data Out       |
| $\overline{\text{CE}}$  | - Chip Enable            |
| $\overline{\text{WE}}$  | - Write Enable           |
| $\overline{\text{OE}}$  | - Output Enable          |
| $\overline{\text{RST}}$ | - Reset Output           |
| $\overline{\text{BW}}$  | - Battery Warning Output |
| $V_{CC}$                | - Power (+5V)            |
| GND                     | - Ground                 |
| NC                      | - No Connect             |

### DESCRIPTION

The DS1345 1024k NV SRAMs are 1,048,576-bit, fully static, NV SRAMs organized as 131,072 words by 8 bits. Each NV SRAM has a self-contained lithium energy source and control circuitry which constantly monitors  $V_{CC}$  for an out-of-tolerance condition. When such a condition occurs, the lithium energy source is automatically switched on and write protection is unconditionally enabled to prevent data corruption. Additionally, the DS1345 devices have dedicated circuitry for monitoring the status of  $V_{CC}$  and the status of the internal lithium battery. DS1345 devices in the PowerCap module package are directly surface mountable and are normally paired with a DS9034PC PowerCap to form a complete NV SRAM module. The devices can be used in place of 128k x 8 SRAM, EEPROM, or Flash components.

## READ MODE

The DS1345 devices execute a read cycle whenever  $\overline{\text{WE}}$  (Write Enable) is inactive (high) and  $\overline{\text{CE}}$  (Chip Enable) and  $\overline{\text{OE}}$  (Output Enable) are active (low). The unique address specified by the 17 address inputs ( $A_0 - A_{16}$ ) defines which of the 131,072 bytes of data is to be accessed. Valid data will be available to the eight data output drivers within  $t_{\text{ACC}}$  (Access Time) after the last address input signal is stable, providing that  $\overline{\text{CE}}$  and  $\overline{\text{OE}}$  (Output Enable) access times are also satisfied. If  $\overline{\text{OE}}$  and  $\overline{\text{CE}}$  access times are not satisfied, then data access must be measured from the later-occurring signal ( $\overline{\text{CE}}$  or  $\overline{\text{OE}}$ ) and the limiting parameter is either  $t_{\text{CO}}$  for  $\overline{\text{CE}}$  or  $t_{\text{OE}}$  for  $\overline{\text{OE}}$  rather than address access.

## WRITE MODE

The DS1345 devices execute a write cycle whenever the  $\overline{\text{WE}}$  and  $\overline{\text{CE}}$  signals are in the active (low) state after address inputs are stable. The later-occurring falling edge of  $\overline{\text{CE}}$  or  $\overline{\text{WE}}$  will determine the start of the write cycle. The write cycle is terminated by the earlier rising edge of  $\overline{\text{CE}}$  or  $\overline{\text{WE}}$ . All address inputs must be kept valid throughout the write cycle.  $\overline{\text{WE}}$  must return to the high state for a minimum recovery time ( $t_{\text{WR}}$ ) before another cycle can be initiated. The  $\overline{\text{OE}}$  control signal should be kept inactive (high) during write cycles to avoid bus contention. However, if the output drivers are enabled ( $\overline{\text{CE}}$  and  $\overline{\text{OE}}$  active) then  $\overline{\text{WE}}$  will disable the outputs in  $t_{\text{ODW}}$  from its falling edge.

## DATA RETENTION MODE

The DS1345AB provides full functional capability for  $V_{\text{CC}}$  greater than 4.75V and write protects by 4.5V. The DS1345Y provides full functional capability for  $V_{\text{CC}}$  greater than 4.5V and write protects by 4.25V. Data is maintained in the absence of  $V_{\text{CC}}$  without any additional support circuitry. The nonvolatile static RAMs constantly monitor  $V_{\text{CC}}$ . Should the supply voltage decay, the NV SRAMs automatically write protect themselves, all inputs become “don’t care,” and all outputs become high impedance. As  $V_{\text{CC}}$  falls below approximately 2.7V, the power switching circuit connects the lithium energy source to RAM to retain data. During power-up, when  $V_{\text{CC}}$  rises above approximately 2.7V, the power switching circuit connects external  $V_{\text{CC}}$  to the RAM and disconnects the lithium energy source. Normal RAM operation can resume after  $V_{\text{CC}}$  exceeds 4.75V for the DS1345AB and 4.5V for the DS1345Y.

## SYSTEM POWER MONITORING

DS1345 devices have the ability to monitor the external  $V_{\text{CC}}$  power supply. When an out-of-tolerance power supply condition is detected, the NV SRAMs warn a processor-based system of impending power failure by asserting  $\overline{\text{RST}}$ . On power-up,  $\overline{\text{RST}}$  is held active for 200ms nominal to prevent system operation during power-on transients and to allow  $t_{\text{REC}}$  to elapse.  $\overline{\text{RST}}$  has an open drain output driver.

## BATTERY MONITORING

The DS1345 devices automatically perform periodic battery voltage monitoring on a 24-hour time interval. Such monitoring begins within  $t_{\text{REC}}$  after  $V_{\text{CC}}$  rises above  $V_{\text{TP}}$  and is suspended when power failure occurs.

After each 24-hour period has elapsed, the battery is connected to an internal  $1\text{M}\Omega$  test resistor for one second. During this one second, if battery voltage falls below the battery voltage trip point (2.6V), the battery warning output  $\overline{\text{BW}}$  is asserted. Once asserted,  $\overline{\text{BW}}$  remains active until the module is replaced. The battery is still retested after each  $V_{\text{CC}}$  power-up, however, even if  $\overline{\text{BW}}$  is active. If the battery voltage is found to be higher than 2.6V during such testing,  $\overline{\text{BW}}$  is de-asserted and regular 24-hour testing resumes.  $\overline{\text{BW}}$  has an open drain output driver.

---

## PACKAGES

The 34-pin PowerCap Module integrates SRAM memory and NV control along with contacts for connection to the lithium battery in the DS9034PC PowerCap. The PowerCap module package design allows a DS1345 PCM device to be surface mounted without subjecting its lithium backup battery to destructive high-temperature reflow soldering. After a DS1345 PCM is reflow soldered, a DS9034PC is snapped on top of the PCM to form a complete NV SRAM module. The DS9034PC is keyed to prevent improper attachment. DS1345 PowerCap modules and DS9034PC PowerCaps are ordered separately and shipped in separate containers. See the DS9034PC data sheet for further information.

**ABSOLUTE MAXIMUM RATINGS**

|                                       |                 |
|---------------------------------------|-----------------|
| Voltage on Any Pin Relative to Ground | -0.3V to +6.0V  |
| Operating Temperature Range           |                 |
| Commercial:                           | 0°C to +70°C    |
| Industrial:                           | -40°C to +85°C  |
| Storage Temperature Range             | -55°C to +125°C |
| Lead Temperature (soldering, 10s)     | +260°C          |
| Soldering Temperature (reflow)        | +260°C          |

*This is a stress rating only and functional operation of the device at these or any other conditions above those indicated in the operation sections of this specification is not implied. Exposure to absolute maximum rating conditions for extended periods of time may affect reliability.*

**RECOMMENDED DC OPERATING CONDITIONS**(T<sub>A</sub>: See Note 10)

| PARAMETER                     | SYMBOL          | MIN  | TYP | MAX             | UNITS | NOTES |
|-------------------------------|-----------------|------|-----|-----------------|-------|-------|
| DS1345AB Power Supply Voltage | V <sub>CC</sub> | 4.75 | 5.0 | 5.25            | V     |       |
| DS1345Y Power Supply Voltage  | V <sub>CC</sub> | 4.5  | 5.0 | 5.5             | V     |       |
| Logic 1                       | V <sub>IH</sub> | 2.2  |     | V <sub>CC</sub> | V     |       |
| Logic 0                       | V <sub>IL</sub> | 0.0  |     | 0.8             | V     |       |

**DC ELECTRICAL CHARACTERISTICS**(V<sub>CC</sub> = 5V ± 5% for DS1345AB)(T<sub>A</sub>: See Note 10) (V<sub>CC</sub> = 5V ± 10% for DS1345Y)

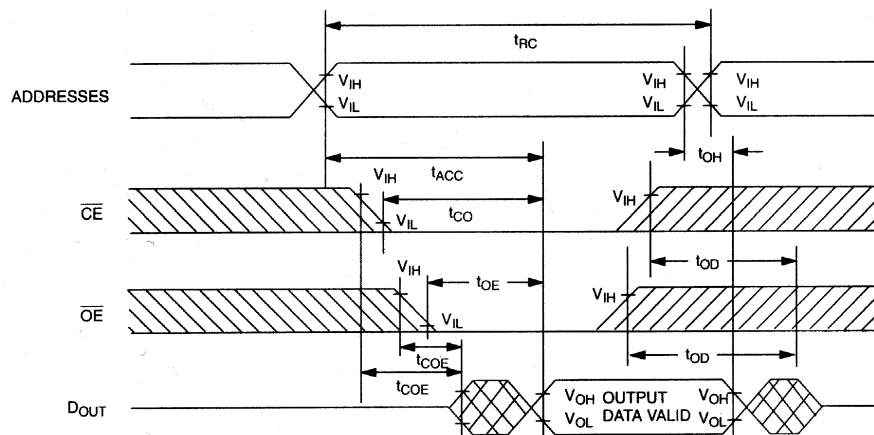
| PARAMETER   | SYMBOL            | MIN  | TYP  | MAX  | UNITS | NOTES |
|---|-------------------|------|------|------|-------|-------|
| Input Leakage Current                                       | I <sub>IL</sub>   | -1.0 |      | +1.0 | μA    |       |
| I/O Leakage Current $\overline{CE} \geq V_{IH} \leq V_{CC}$ | I <sub>IO</sub>   | -1.0 |      | +1.0 | μA    |       |
| Output Current @ 2.4V                                       | I <sub>OH</sub>   | -1.0 |      |      | mA    | 14    |
| Output Current @ 0.4V                                       | I <sub>OL</sub>   | 2.0  |      |      | mA    | 14    |
| Standby Current $\overline{CE} = 2.2V$                      | I <sub>CCS1</sub> |      | 200  | 600  | μA    |       |
| Standby Current $\overline{CE} = V_{CC} - 0.5V$             | I <sub>CCS2</sub> |      | 50   | 150  | μA    |       |
| Operating Current   | I <sub>CCO1</sub> |      |      | 85   | mA    |       |
| Write Protection Voltage (DS1345AB)                         | V <sub>TP</sub>   | 4.50 | 4.62 | 4.75 | V     |       |
| Write Protection Voltage (DS1345Y)                          | V <sub>TP</sub>   | 4.25 | 4.37 | 4.5  | V     |       |

**CAPACITANCE**(T<sub>A</sub> = +25°C)

| PARAMETER                | SYMBOL           | MIN | TYP | MAX | UNITS | NOTES |
|--------------------------|------------------|-----|-----|-----|-------|-------|
| Input Capacitance        | C <sub>IN</sub>  |     | 5   | 10  | pF    |       |
| Input/Output Capacitance | C <sub>I/O</sub> |     | 5   | 10  | pF    |       |

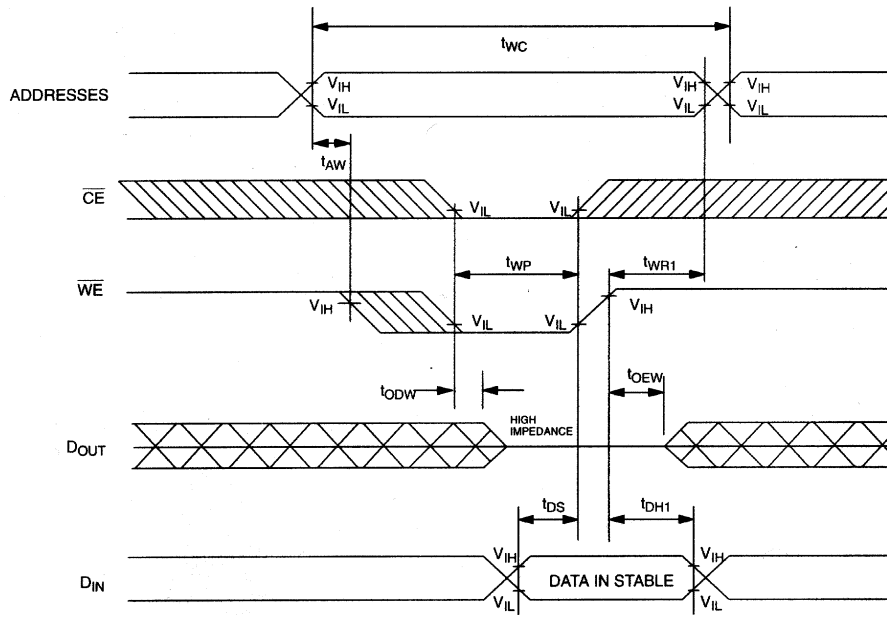
**AC ELECTRICAL CHARACTERISTICS** $(V_{CC} = 5V \pm 5\%$  for DS1345AB) $(T_A: \text{See Note 10}) (V_{CC} = 5V \pm 10\%$  for DS1345Y)

| PARAMETER   | SYMBOL                 | DS1345AB-70<br>DS1345Y-70 |     | UNITS | NOTES    |
|---|------------------------|---------------------------|-----|-------|----------|
|   |                        | MIN                       | MAX |       |          |
| Read Cycle Time                                     | $t_{RC}$               | 70                        |     | ns    |          |
| Access Time   | $t_{ACC}$              |                           | 70  | ns    |          |
| $\overline{OE}$ to Output Valid                     | $t_{OE}$               |                           | 35  | ns    |          |
| $\overline{CE}$ to Output Valid                     | $t_{CO}$               |                           | 70  | ns    |          |
| $\overline{OE}$ or $\overline{CE}$ to Output Active | $t_{COE}$              | 5                         |     | ns    | 5        |
| Output High Z from Deselection                      | $t_{OD}$               |                           | 25  | ns    | 5        |
| Output Hold from Address Change                     | $t_{OH}$               | 5                         |     | ns    |          |
| Write Cycle Time                                    | $t_{WC}$               | 70                        |     | ns    |          |
| Write Pulse Width                                   | $t_{WP}$               | 55                        |     | ns    | 3        |
| Address Setup Time                                  | $t_{AW}$               | 0                         |     | ns    |          |
| Write Recovery Time                                 | $t_{WR1}$<br>$t_{WR2}$ | 5<br>12                   |     | ns    | 12<br>13 |
| Output High Z from $\overline{WE}$                  | $t_{ODW}$              |                           | 25  | ns    | 5        |
| Output Active from $\overline{WE}$                  | $t_{OEWE}$             | 5                         |     | ns    | 5        |
| Data Setup Time                                     | $t_{DS}$               | 30                        |     | ns    | 4        |
| Data Hold Time                                      | $t_{DH1}$<br>$t_{DH2}$ | 0<br>7                    |     | ns    | 12<br>13 |

**READ CYCLE**

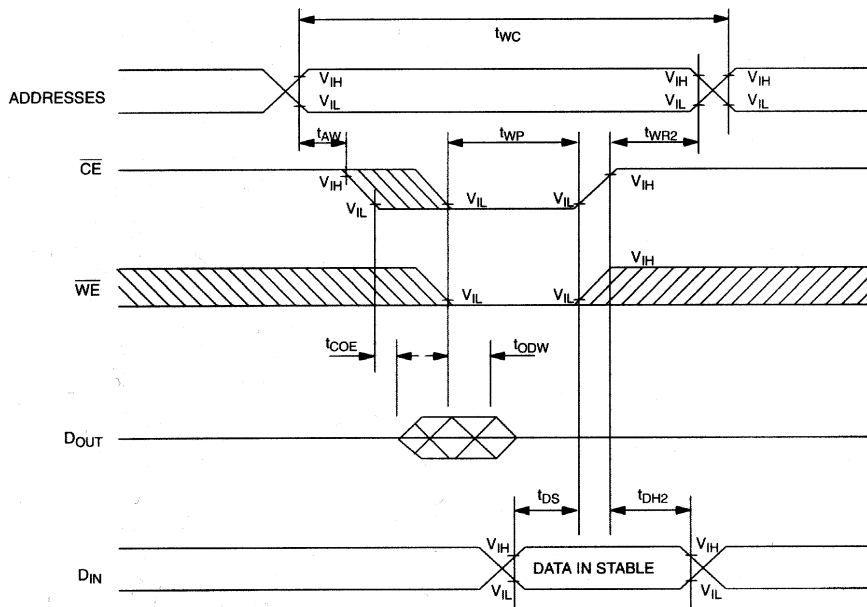
SEE NOTE 1

## WRITE CYCLE 1



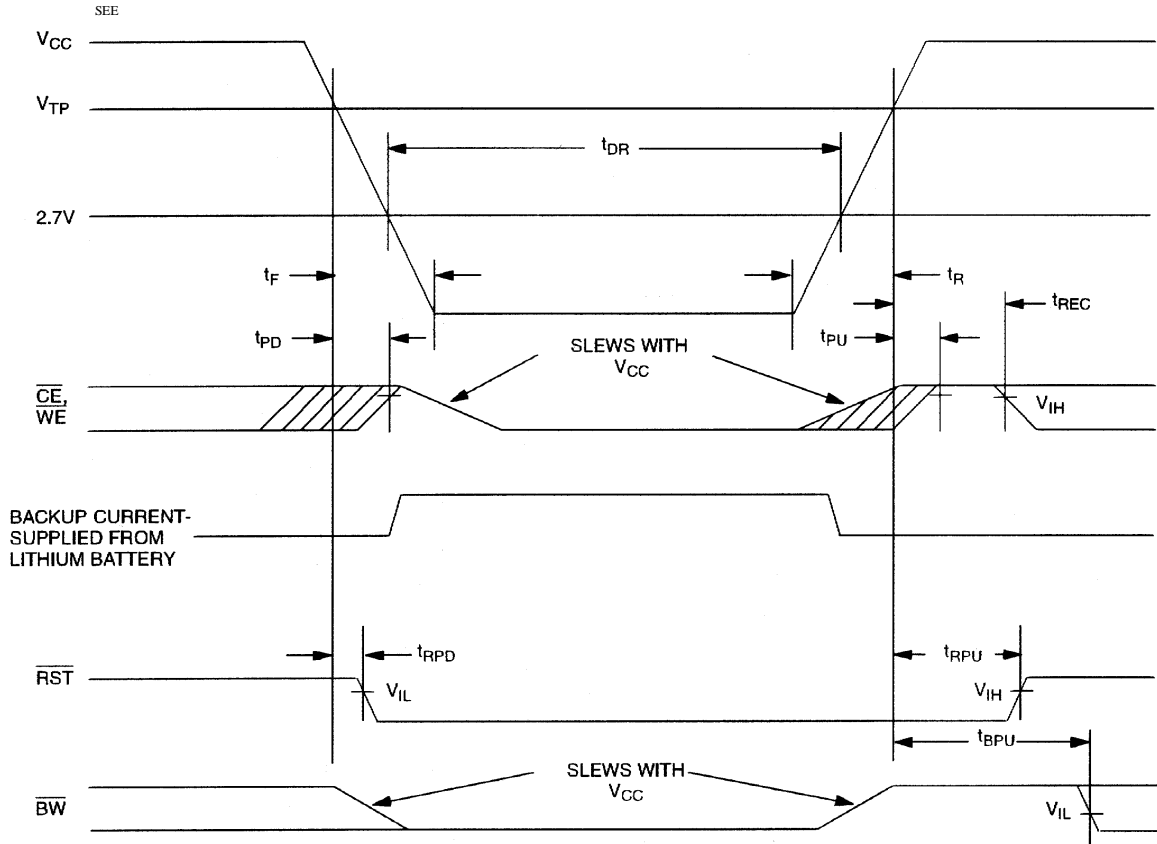
SEE NOTES 2, 3, 4, 6, 7, 8, and 12

## WRITE CYCLE 2



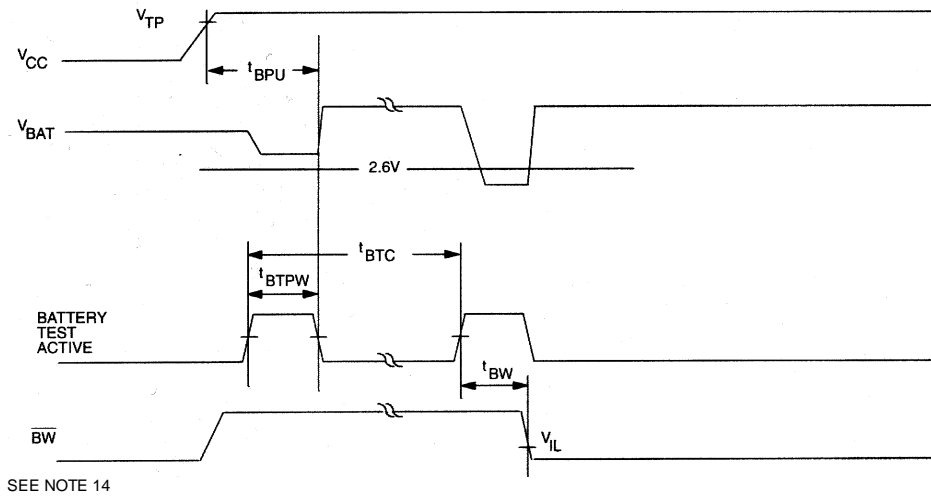
SEE NOTES 2, 3, 4, 6, 7, 8, and 13

# POWER-DOWN/POWER-UP CONDITION



SEE NOTES 11 AND 14

# BATTERY WARNING DETECTION



**POWER-DOWN/POWER-UP TIMING**(T<sub>A</sub>: See Note 10)

| PARAMETER   | SYMBOL           | MIN | TYP | MAX | UNITS | NOTES |
|---|------------------|-----|-----|-----|-------|-------|
| V <sub>CC</sub> Fail Detect to $\overline{CE}$ and $\overline{WE}$ Inactive | t <sub>PD</sub>  |     |     | 1.5 | μs    | 11    |
| V <sub>CC</sub> slew from V <sub>TP</sub> to 0V                             | t <sub>F</sub>   | 150 |     |     | μs    |       |
| V <sub>CC</sub> Fail Detect to $\overline{RST}$ Active                      | t <sub>RPD</sub> |     |     | 15  | μs    | 14    |
| V <sub>CC</sub> slew from 0V to V <sub>TP</sub>                             | t <sub>R</sub>   | 150 |     |     | μs    |       |
| V <sub>CC</sub> Valid to $\overline{CE}$ and $\overline{WE}$ Inactive       | t <sub>PU</sub>  |     |     | 2   | ms    |       |
| V <sub>CC</sub> Valid to End of Write Protection                            | t <sub>REC</sub> |     |     | 125 | ms    |       |
| V <sub>CC</sub> Valid to $\overline{RST}$ Inactive                          | t <sub>RPU</sub> | 150 | 200 | 350 | ms    | 14    |
| V <sub>CC</sub> Valid to $\overline{BW}$ Valid                              | t <sub>BPU</sub> |     |     | 1   | s     | 14    |

**BATTERY WARNING TIMING**(T<sub>A</sub>: See Note 10)

| PARAMETER                              | SYMBOL            | MIN | TYP | MAX | UNITS | NOTES |
|--|-------------------|-----|-----|-----|-------|-------|
| Battery Test Cycle                     | t <sub>BTC</sub>  |     | 24  |     | hr    |       |
| Battery Test Pulse Width               | t <sub>BTPW</sub> |     |     | 1   | s     |       |
| Battery Test to $\overline{BW}$ Active | t <sub>BW</sub>   |     |     | 1   | s     |       |

(T<sub>A</sub> = +25°C)

| PARAMETER                    | SYMBOL          | MIN | TYP | MAX | UNITS | NOTES |
|------------------------------|-----------------|-----|-----|-----|-------|-------|
| Expected Data Retention Time | t <sub>DR</sub> | 10  |     |     | years | 9     |

**WARNING:**

Under no circumstance are negative undershoots, of any amplitude, allowed when device is in battery backup mode.

**NOTES:**

- $\overline{WE}$  is high for a Read Cycle.
- $\overline{OE} = V_{IH}$  or  $V_{IL}$ . If  $\overline{OE} = V_{IH}$  during write cycle, the output buffers remain in a high-impedance state.
- t<sub>WP</sub> is specified as the logical AND of  $\overline{CE}$  and  $\overline{WE}$ . t<sub>WP</sub> is measured from the latter of  $\overline{CE}$  or  $\overline{WE}$  going low to the earlier of  $\overline{CE}$  or  $\overline{WE}$  going high.
- t<sub>DS</sub> is measured from the earlier of  $\overline{CE}$  or  $\overline{WE}$  going high.
- These parameters are sampled with a 5pF load and are not 100% tested.
- If the  $\overline{CE}$  low transition occurs simultaneously with or latter than the  $\overline{WE}$  low transition, the output buffers remain in a high-impedance state during this period.
- If the  $\overline{CE}$  high transition occurs prior to or simultaneously with the  $\overline{WE}$  high transition, the output buffers remain in high-impedance state during this period.
- If  $\overline{WE}$  is low or the  $\overline{WE}$  low transition occurs prior to or simultaneously with the  $\overline{CE}$  low transition, the output buffers remain in a high impedance state during this period.



9. Each DS1345 has a built-in switch that disconnects the lithium source until the user first applies  $V_{CC}$ . The expected  $t_{DR}$  is defined as accumulative time in the absence of  $V_{CC}$  starting from the time power is first applied by the user. This parameter is assured by component selection, process control, and design. It is not measured directly during production testing.
10. All AC and DC electrical characteristics are valid over the full operating temperature range. For commercial products, this range is 0°C to 70°C. For industrial products (IND), this range is -40°C to +85°C.
11. In a power-down condition the voltage on any pin may not exceed the voltage on  $V_{CC}$ .
12.  $t_{WR1}$  and  $t_{DH1}$  are measured from  $\overline{WE}$  going high.
13.  $t_{WR2}$  and  $t_{DH2}$  are measured from  $\overline{CE}$  going high.
14.  $\overline{RST}$  and  $\overline{BW}$  are open-drain outputs and cannot source current. External pullup resistors should be connected to these pins for proper operation. Both pins will sink 10mA.
15. DS1345 modules are recognized by Underwriters Laboratories (UL) under file E99151.

### DC TEST CONDITIONS

Outputs Open

Cycle = 200ns for operating current

All voltages are referenced to ground

### AC TEST CONDITIONS

Output Load: 100 pF + 1TTL Gate

Input Pulse Levels: 0 – 3.0V

Timing Measurement Reference Levels

Input: 1.5V

Output: 1.5V

Input pulse Rise and Fall Times: 5ns

### ORDERING INFORMATION

| PART             | TEMP RANGE     | SUPPLY TOLERANCE | PIN-PACKAGE |
|------------------|----------------|------------------|-------------|
| DS1345ABP-70+    | 0°C to +70°C   | 5V ± 5%          | 34 PCAP*    |
| DS1345ABP-70IND+ | -40°C to +85°C | 5V ± 5%          | 34 PCAP*    |
| DS1345YP-70+     | 0°C to +70°C   | 5V ± 10%         | 34 PCAP*    |
| DS1345YP-70IND+  | -40°C to +85°C | 5V ± 10%         | 34 PCAP*    |

+Denotes a lead(Pb)-free/RoHS-compliant package.

\*DS9034PC+ or DS9034PCI+ (PowerCap) required. Must be ordered separately.

### PACKAGE INFORMATION

For the latest package outline information and land patterns, go to [www.maxim-ic.com/packages](http://www.maxim-ic.com/packages). Note that a “+”, “#”, or “-” in the package code indicates RoHS status only. Package drawings may show a different suffix character, but the drawing pertains to the package regardless of RoHS status.

| PACKAGE TYPE | PACKAGE CODE | OUTLINE NO.             | LAND PATTERN NO. |
|--------------|--------------|-------------------------|------------------|
| 34 PCAP      | PC2+3        | <a href="#">21-0246</a> | —                |

**REVISION HISTORY**

| <b>REVISION<br/>DATE</b> | <b>DESCRIPTION</b>   | <b>PAGES<br/>CHANGED</b> |
|--------------------------|--|--------------------------|
| 10/10                    | Updated the storage, lead, and soldering information in the <i>Absolute Maximum Ratings</i> section, removed the unused AC timing specs in the <i>AC Electrical Characteristics</i> table, updated the <i>Ordering Information</i> table, replaced the package outline drawing with the <i>Package Information</i> table | 1, 4, 5, 9               |

# Mouser Electronics

Authorized Distributor

Click to View Pricing, Inventory, Delivery & Lifecycle Information:

[Maxim Integrated:](#)

[DS1345ABP-100+](#) [DS1345ABP-70IND+](#) [DS1345YP-100+](#) [DS1345YP-70+](#) [DS1345YP-70IND+](#) [DS1345ABP-70+](#)