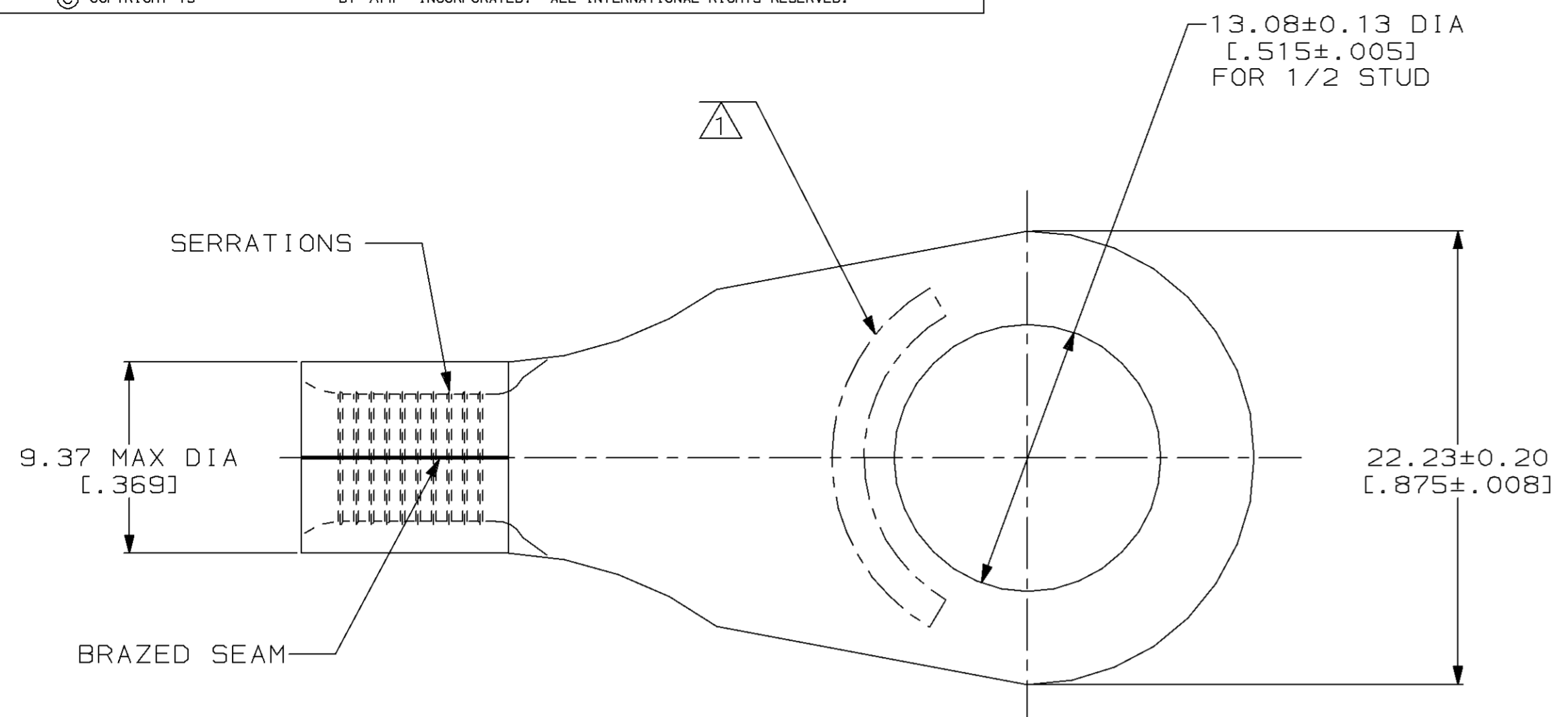


THIS DRAWING IS UNPUBLISHED. RELEASED FOR PUBLICATION, 19 .
 © COPYRIGHT 19 BY AMP INCORPORATED. ALL INTERNATIONAL RIGHTS RESERVED.

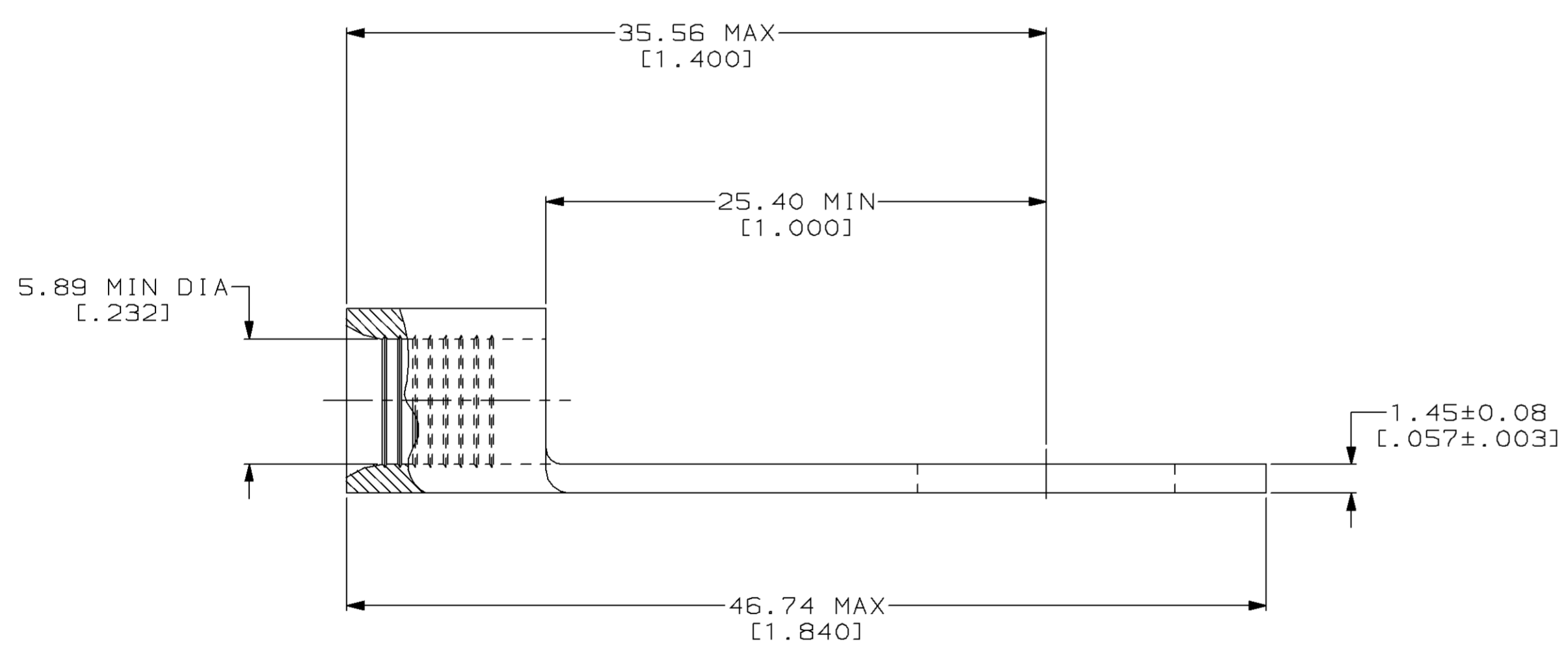
LOC	DIST	P	F	ZONE	LTR	REVISIONS	DATE	APPD
G	14				G	REV, RDRW, & SM PKG PER 0720-0040-93	3-24-93	AMP DAP

METRIC
 DIMENSIONS LISTED IN mm [INCHES]



AMP WIRE RANGE	UL Listed
6 AWG SOLID OR STRANDED	6 AWG STRANDED
SR LR7189 Certified	MILITARY P/N AND CLASS
6 AWG SOLID OR STRANDED	MS20659-143 CLASS 2 P/N 320344 ONLY

△ STAMP AMP 6* APPROX AS SHOWN



QUANTITY	PACKAGE TYPE	PART NO
10	LOOSE PIECE, BAG	8-320344-6
20	LOOSE PIECE, BOX SPECIAL (NO WINDOW)	8-320344-5
50	LOOSE PIECE, BOX	8-320344-2
----	LOOSE PIECE	320344

AMP INCORPORATED CUSTOMER SERVICE SYSTEMS		MAX RECOMMENDED OPERATING TEMPERATURE: 170°C MAX	DO NOT SCALE PRINT. UNLESS SPECIFIED DIMENSIONS IN mm [INCHES] TOLERANCES ON: 2 PLC DEC ± - 3 PLC DEC ± - ANGLES ± -	DR 3-24-93 TA BRINKMAN CHK 3-24-93 DA PATTERSON APPD 3-24-93 DE MILLER APPD 3-24-93 JL MECKLEY PRODUCT SPEC -	AMP AMP Incorporated Harrisburg, PA 17105-3608
FOR ADDITIONAL PRODUCT INFORMATION OR COPIES OF DRAWINGS AND TECHNICAL DOCUMENTS	PRODUCT INFORMATION CENTER 1-800-522-6752	VOLTAGE RATING: NOT APPLICABLE	MATERIAL COPPER PER ASTM B-152 ANNEALED	NAME TERMINAL, RING TONGUE, SOLISTRAND™	
FOR APPLICATION TOOLING INFORMATION	TOOLING ASSISTANCE CENTER 1-800-722-1111	WIRE CROSS SECTIONAL AREA RANGE: 10.5-16.8MM² [20,800-33,100] CIR MILS SOLID OR STRANDED	FINISH TIN PLATE 0.00254[.000100] MIN THK PER MIL-T-10727	APPLICATION SPEC -	SIZE CAGE CODE DRAWING NO
FOR ORDER ENTRY	1-800-526-5142	THIS DRAWING IS A CONTROLLED DOCUMENT FOR AMP INCORPORATED. IT IS SUBJECT TO CHANGE AND THE CONTROLLING ENGINEERING ORGANIZATION SHOULD BE CONTACTED FOR THE LATEST REVISION.		WEIGHT -	SCALE 4:1