

VS-VARAN-RJ45-Q - RJ45 connector



1402410

<https://www.phoenixcontact.com/us/products/1402410>

Please be informed that the data shown in this PDF document is generated from our online catalog. Please find the complete data in the user documentation. Our general terms of use for downloads are valid.



RJ45 connector, design: RJ45, degree of protection: IP20, number of positions: 6, CAT5, material: Plastic, connection method: Insulation displacement connection, connection cross section: AWG 26- 23, cable outlet: straight, VARAN

Your advantages

- Optimized for use in the VARAN network
- Easy and time-saving assembly with IDC fast connection technology
- Ideal companion for servicing or repairs in the field: no special tools required for mounting

Commercial data

Item number	1402410
Packing unit	1 pc
Minimum order quantity	1 pc
Sales key	AB10
Product key	ABNAAD
GTIN	4046356727631
Weight per piece (including packing)	10.621 g
Weight per piece (excluding packing)	10.621 g
Customs tariff number	85366990
Country of origin	CH

VS-VARAN-RJ45-Q - RJ45 connector



1402410

<https://www.phoenixcontact.com/us/products/1402410>

Technical data

Product properties

Type	RJ45
Product type	Data connector (cable side)
Sensor type	VARAN
Number of positions	6
Connection profile	RJ45
No. of cable outlets	1
Type	RJ45
Shielded	no
Cable outlet	straight
Positions/contacts	8P6C

Insulation characteristics

Overvoltage category	I
Degree of pollution	2

Electrical properties

Rated voltage (III/3)	72 V (DC)
Rated current	1.75 A
Contact resistance	< 20 mΩ (Contact) < 100 mΩ (shield)
Frequency range	100 MHz
Insulation resistance	> 500 MΩ (100 V)
Contact resistance per contact pair	< 20 Ω
Contact resistance	> 10 mΩ (Wire – IDC) < 0.005 Ω (Litz wires – IDC)
Transmission medium	Copper
Transmission characteristics (category)	CAT5
Transmission speed	100 Mbps

Connection data

Connection technology

Connection method	Insulation displacement connection
Connection cross section AWG	26 ... 23 (flexible) 26 ... 23
Conductor cross section	0.14 mm ² ... 0.25 mm ² (solid) 0.14 mm ² ... 0.25 mm ² (flexible)
Cable outlet, angle	180

Dimensions

Width	14 mm
-------	-------

VS-VARAN-RJ45-Q - RJ45 connector



1402410

<https://www.phoenixcontact.com/us/products/1402410>

Height	14.6 mm
Length	56 mm

Material specifications

Material	Plastic
Flammability rating according to UL 94	V0
Cable seal material	NBR
Contact material	CuSn
Contact surface material	Au/Ni
Contact carrier material	PC
Locking latch material	PC
Material for screw connection	PA
Housing material	Plastic

Cable/line

External cable diameter ()	4.5 mm ... 8 mm
External cable diameter	4.5 mm ... 8 mm
Cable cross section	0.14 mm ²
Test voltage Core/Core	1000 V
Test voltage Core/Shield	1500.00 V
Halogen-free	no

Mechanical properties

Mechanical data

Insertion/withdrawal cycles	≥ 750
Insertion force per signal contact	< 20.00 N
Extraction force per signal contact	< 20 N

Environmental and real-life conditions

Ambient conditions

Degree of protection	IP20
Ambient temperature (operation)	-10 °C ... 60 °C
Ambient temperature (storage/transport)	-40 °C ... 70 °C

Mounting

Mounting type	For field assembly
---------------	--------------------

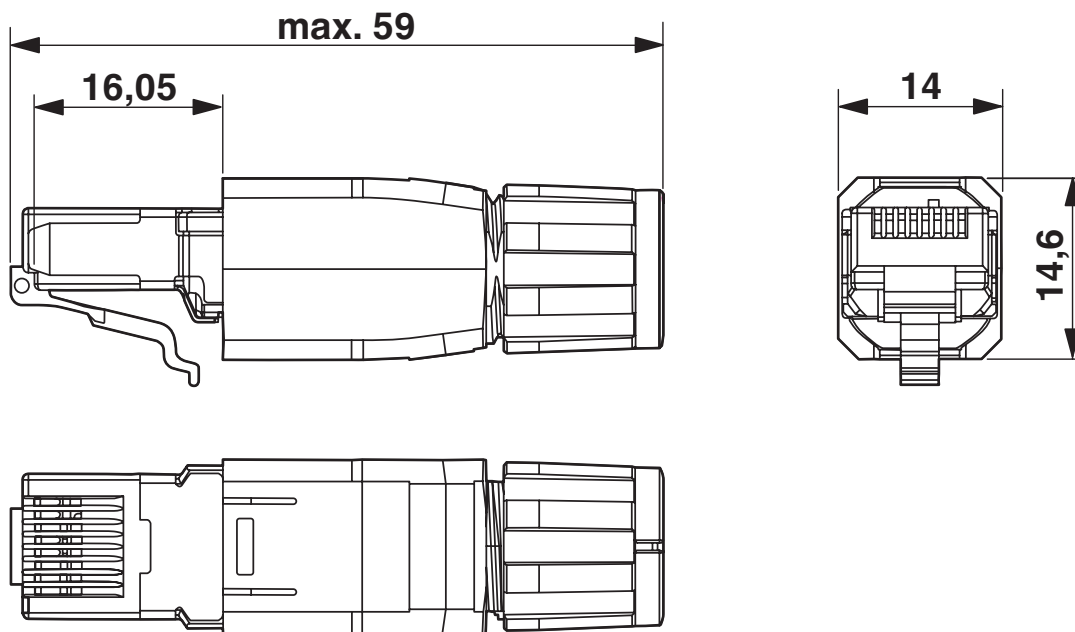
VS-VARAN-RJ45-Q - RJ45 connector

1402410

<https://www.phoenixcontact.com/us/products/1402410>

Drawings

Dimensional drawing



RJ45 connector, IP20

VS-VARAN-RJ45-Q - RJ45 connector



1402410

<https://www.phoenixcontact.com/us/products/1402410>

Classifications

ECLASS

ECLASS-11.0	27440101
ECLASS-12.0	27440113
ECLASS-13.0	27440116

ETIM

ETIM 9.0	EC002636
----------	----------

UNSPSC

UNSPSC 21.0	39121400
-------------	----------

VS-VARAN-RJ45-Q - RJ45 connector



1402410

<https://www.phoenixcontact.com/us/products/1402410>

Environmental product compliance

China RoHS	Environmentally friendly use period: unlimited = EFUP-e
	No hazardous substances above threshold values

VS-VARAN-RJ45-Q - RJ45 connector



1402410

<https://www.phoenixcontact.com/us/products/1402410>

Accessories

VS-08-RJ45-Q-COD-SET - RJ45 coding rings

1656893

<https://www.phoenixcontact.com/us/products/1656893>

Coding set, for color encoding of the RJ45 QUICKON connector, consisting of 80 color rings, 10 rings each in the colors: white, blue, red, green, yellow, violet, brown, gray



Phoenix Contact 2024 © - all rights reserved
<https://www.phoenixcontact.com>

Phoenix Contact USA
586 Fulling Mill Road
Middletown, PA 17057, United States
(+717) 944-1300
info@phoenixcon.com