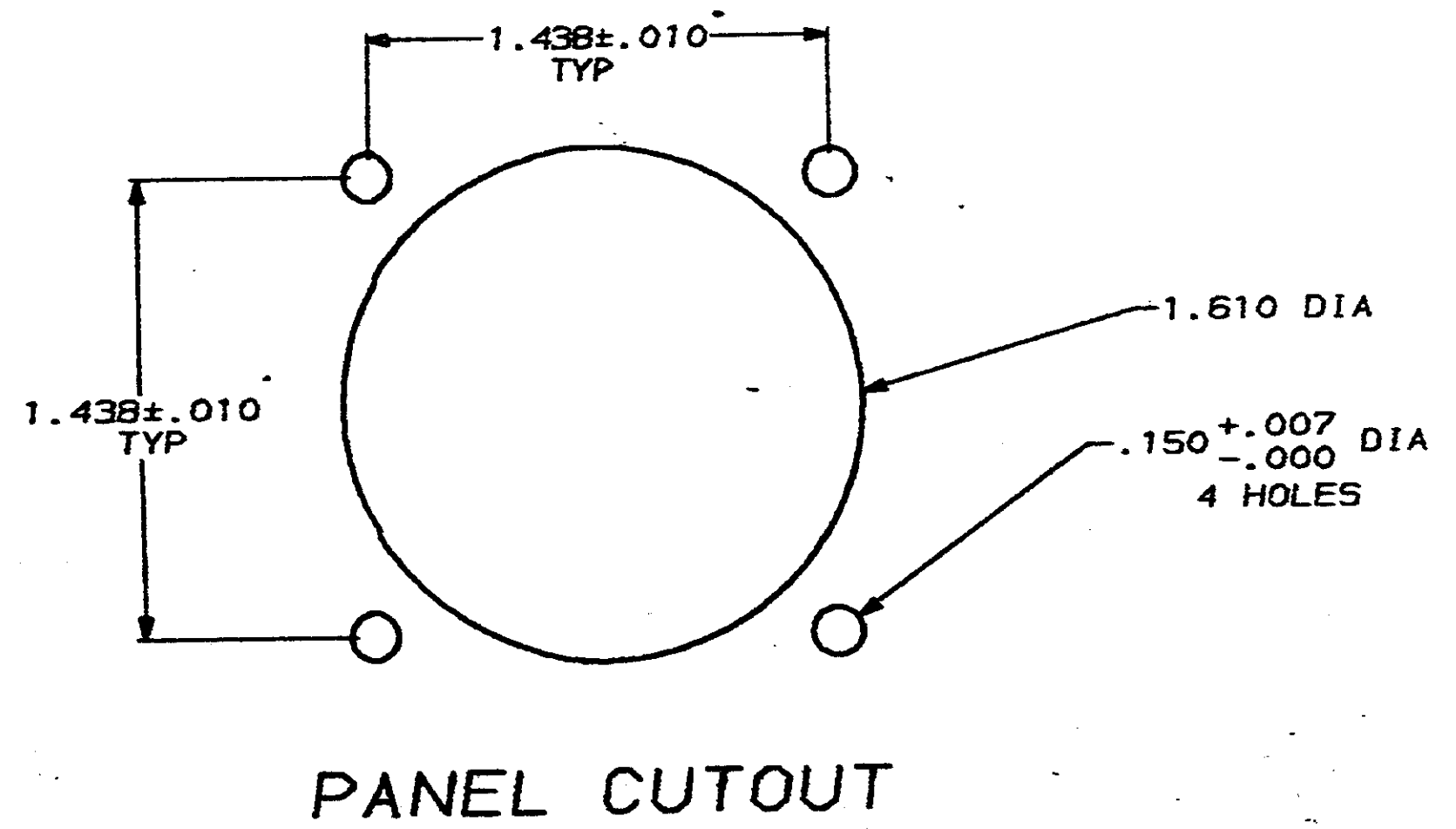
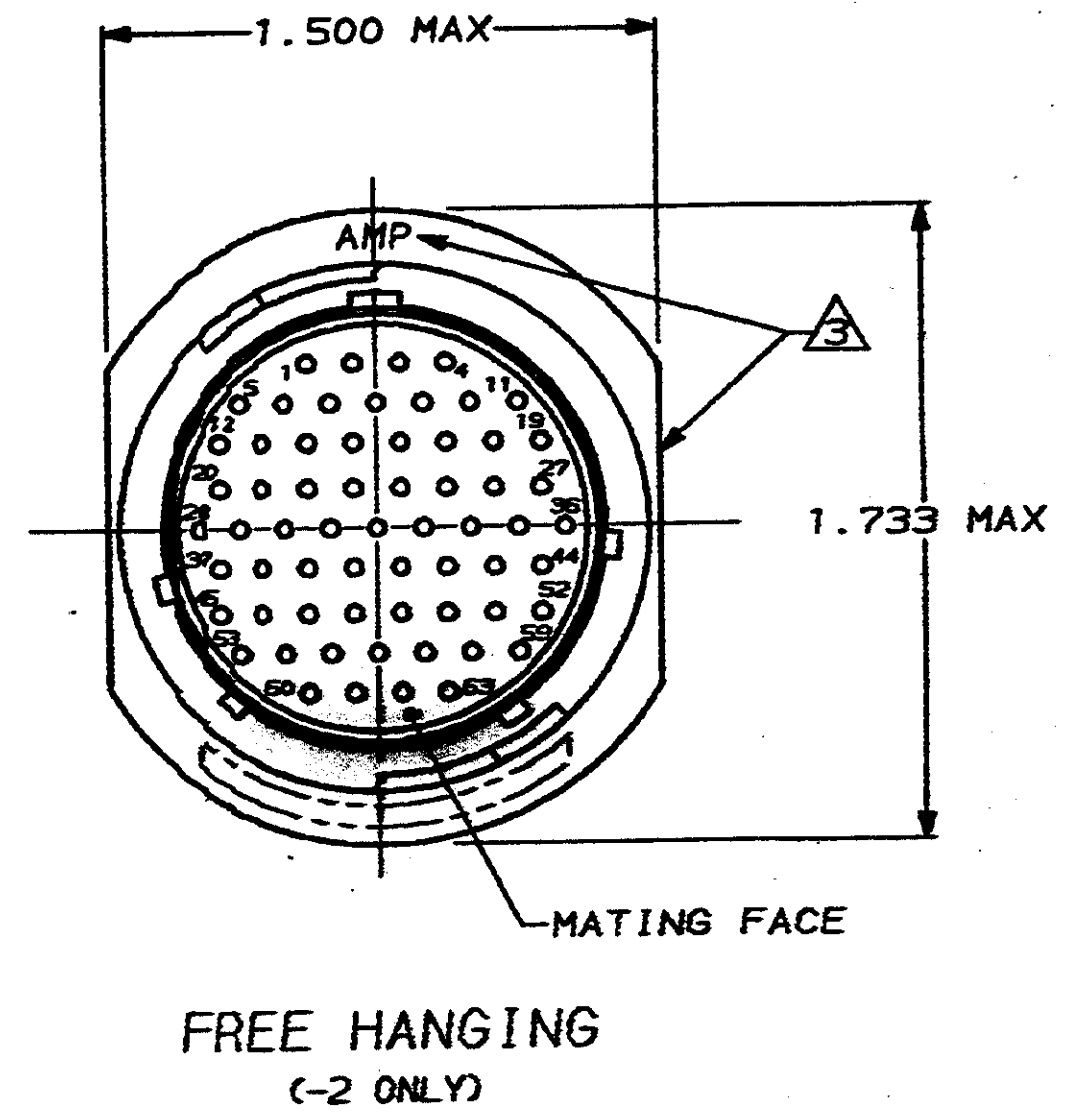
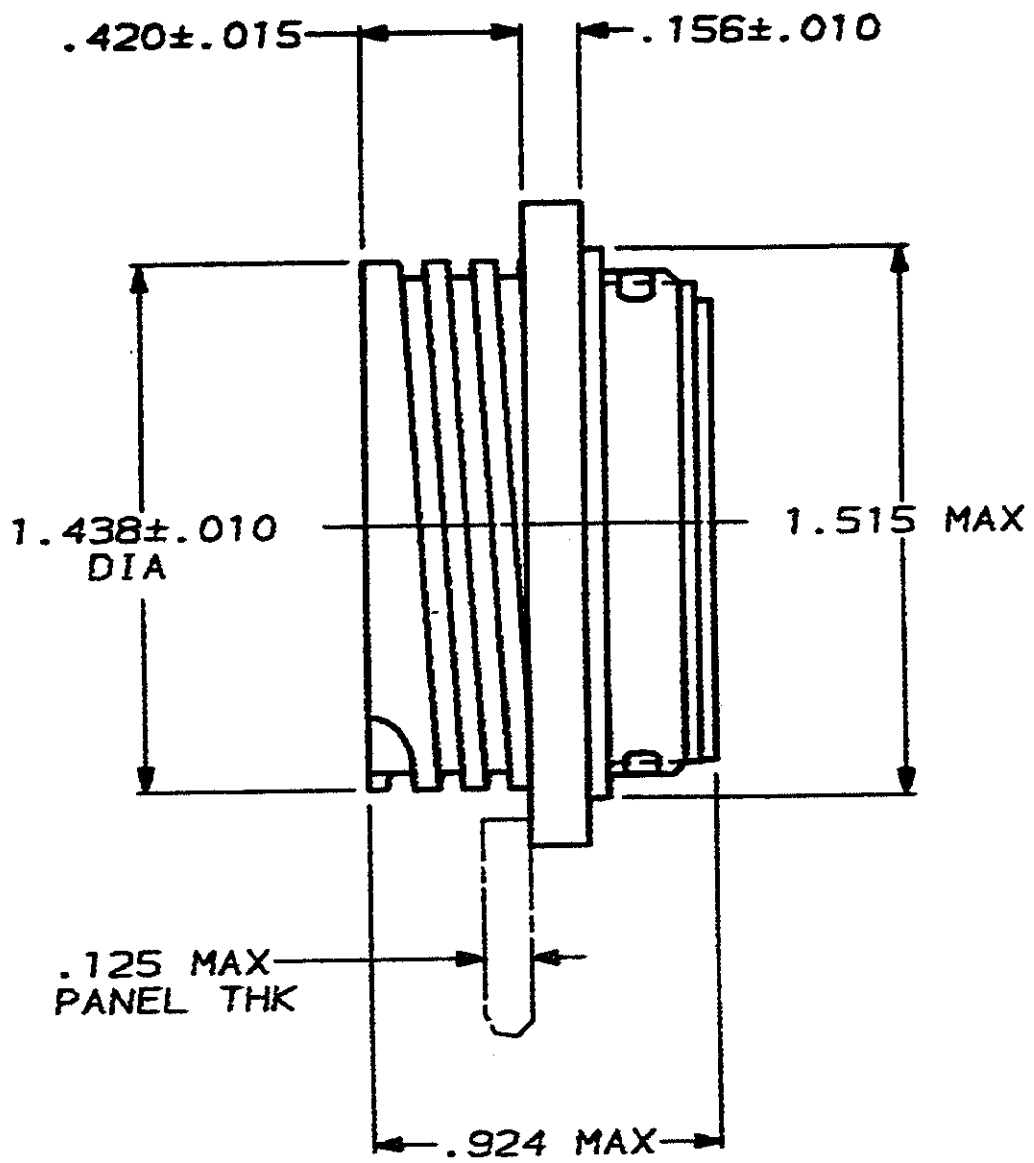
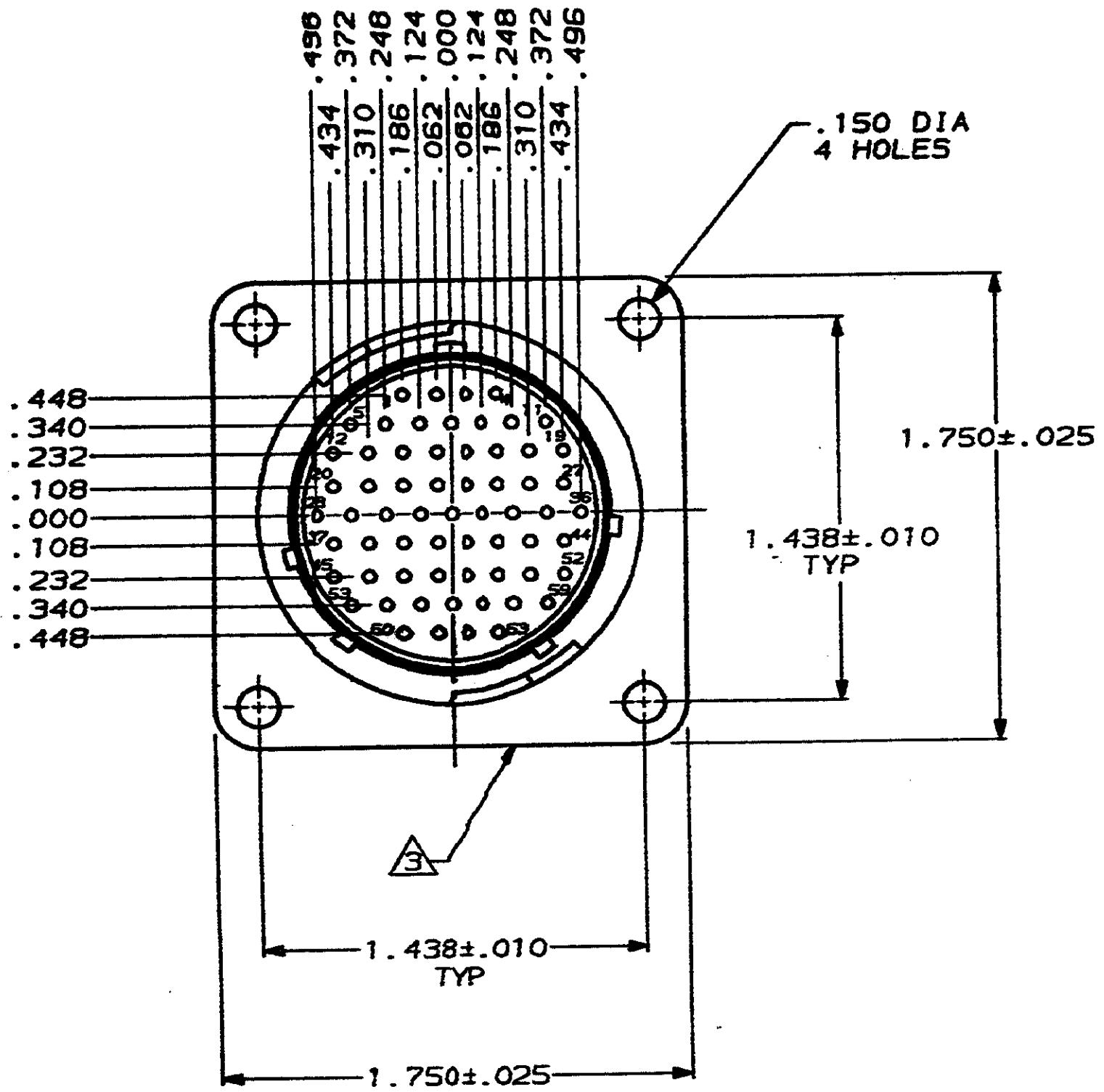


DRAWING MADE IN THIRD ANGLE PROJECTION

THIS DRAWING IS UNPUBLISHED. RELEASED FOR PUBLICATION .19  
 © COPYRIGHT 19 BY AMP INCORPORATED. ALL INTERNATIONAL RIGHTS RESERVED.

REVISE		DATE		DESCRIPTION		DATE	APPD
23	BD	35		F	REDRAWN	4/2/91	-



- CONTACT CAVITIES IDENTIFIED BY CHARACTERS ON FRONT AND REAR FACES OF CONNECTOR.
- WILL ACCEPT (63) SIZE 20 PIN CONTACTS.
- AMP AND PART NUMBER THIS AREA.
- #4 FASTENER RECOMMENDED FOR MOUNTING.

205843-2
205843-1
PART NUMBER

DO NOT SCALE PRINT. UNLESS SPECIFIED DIMENSIONS IN INCHES TOLERANCES ON: 2 PLC DEC ± - 3 PLC DEC ± .005 ANGLES ± -	DR 4/3/91 A. STAUB BG	AMP AMP Incorporated Harrisburg, PA 17105-3808
	CHK 7-24-92 W.G. LENKER	
MATERIAL THERMOPLASTIC, BLACK	APPD 7-24-92 K. BEAVER	NAME RECEPTACLE ASSEMBLY, STD SEX, SERIES 2, 23-63, CPC
	APPD 7-24-92 C. RHOE	
FINISH	PRODUCT SPEC 108-10024	SIZE CAGE CODE DRAWING NO C 00779 205843
	APPLICATION SPEC	WEIGHT SHEET 1 OF 1

CUSTOMER DRAWING