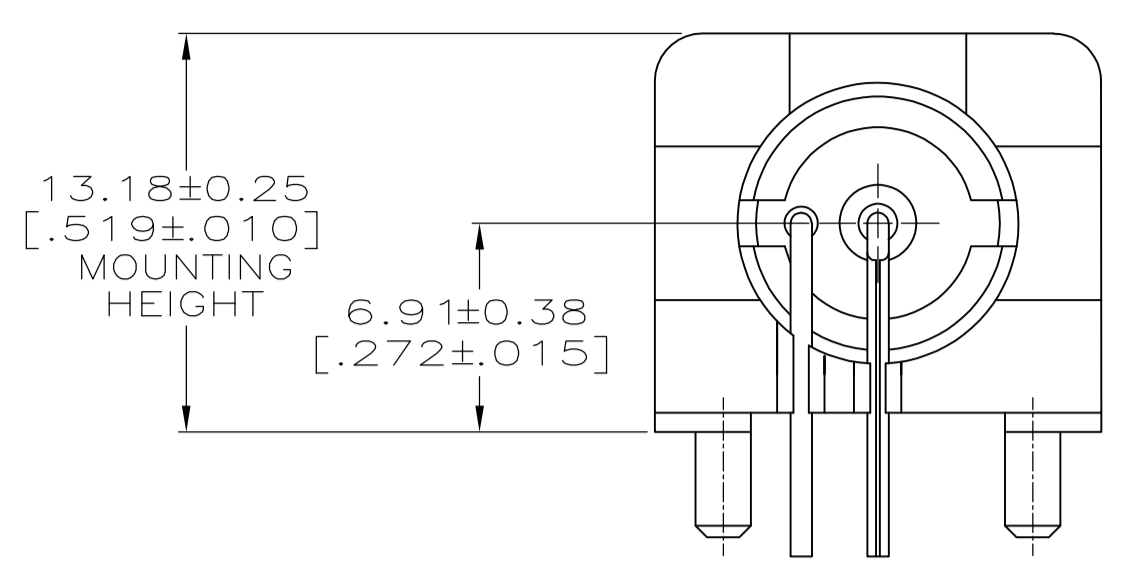
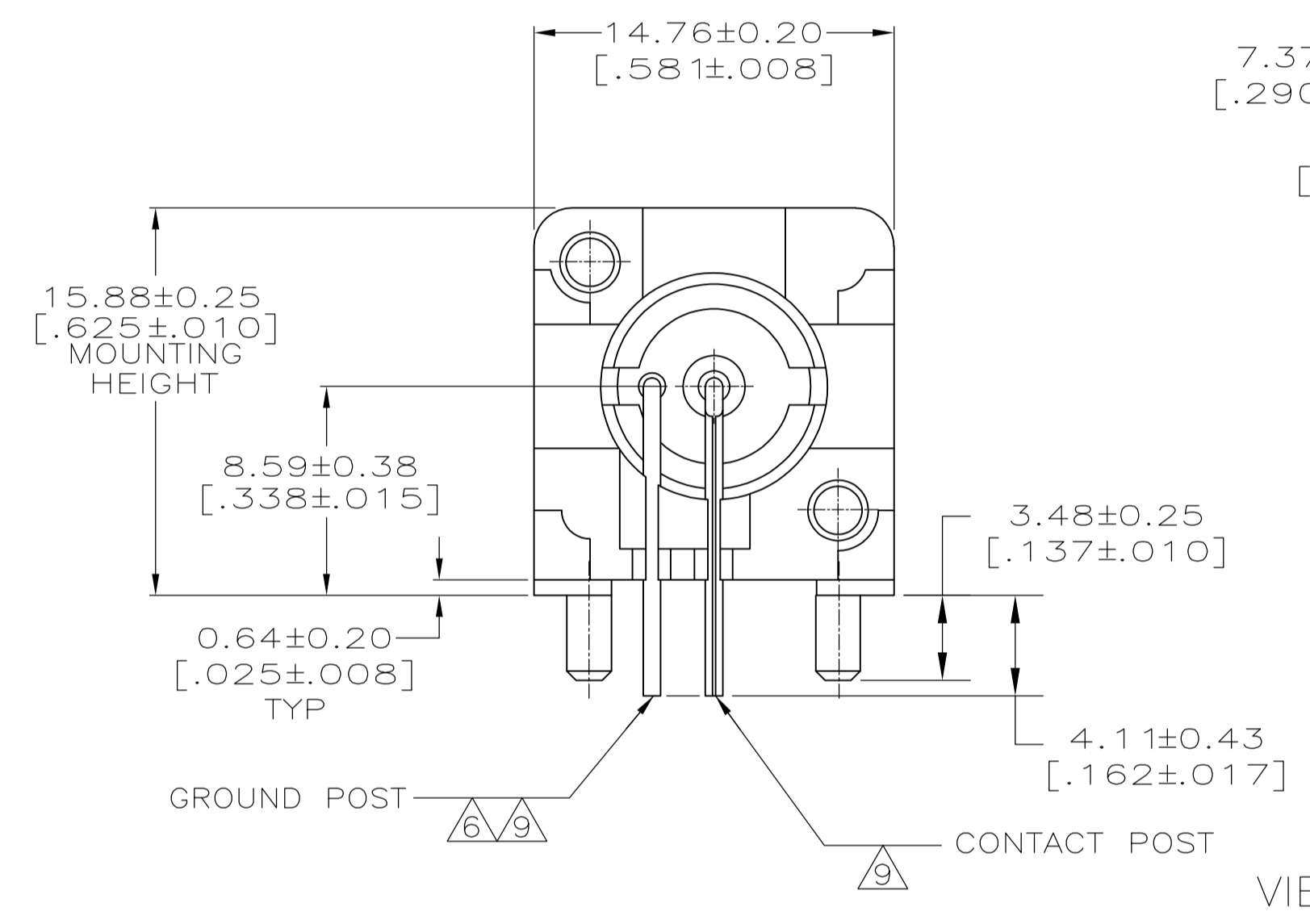
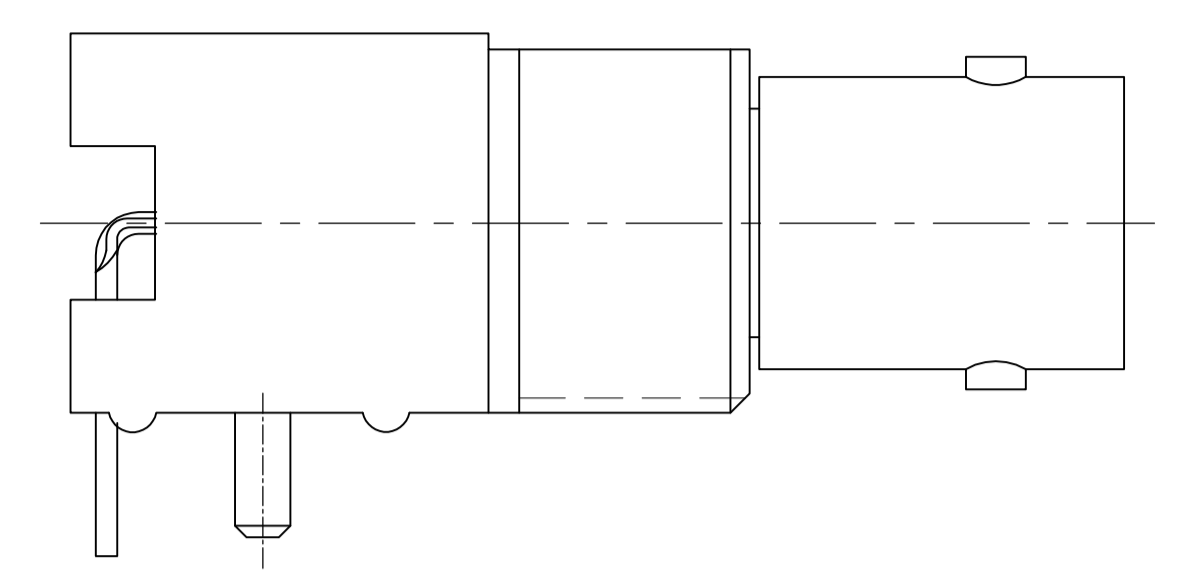


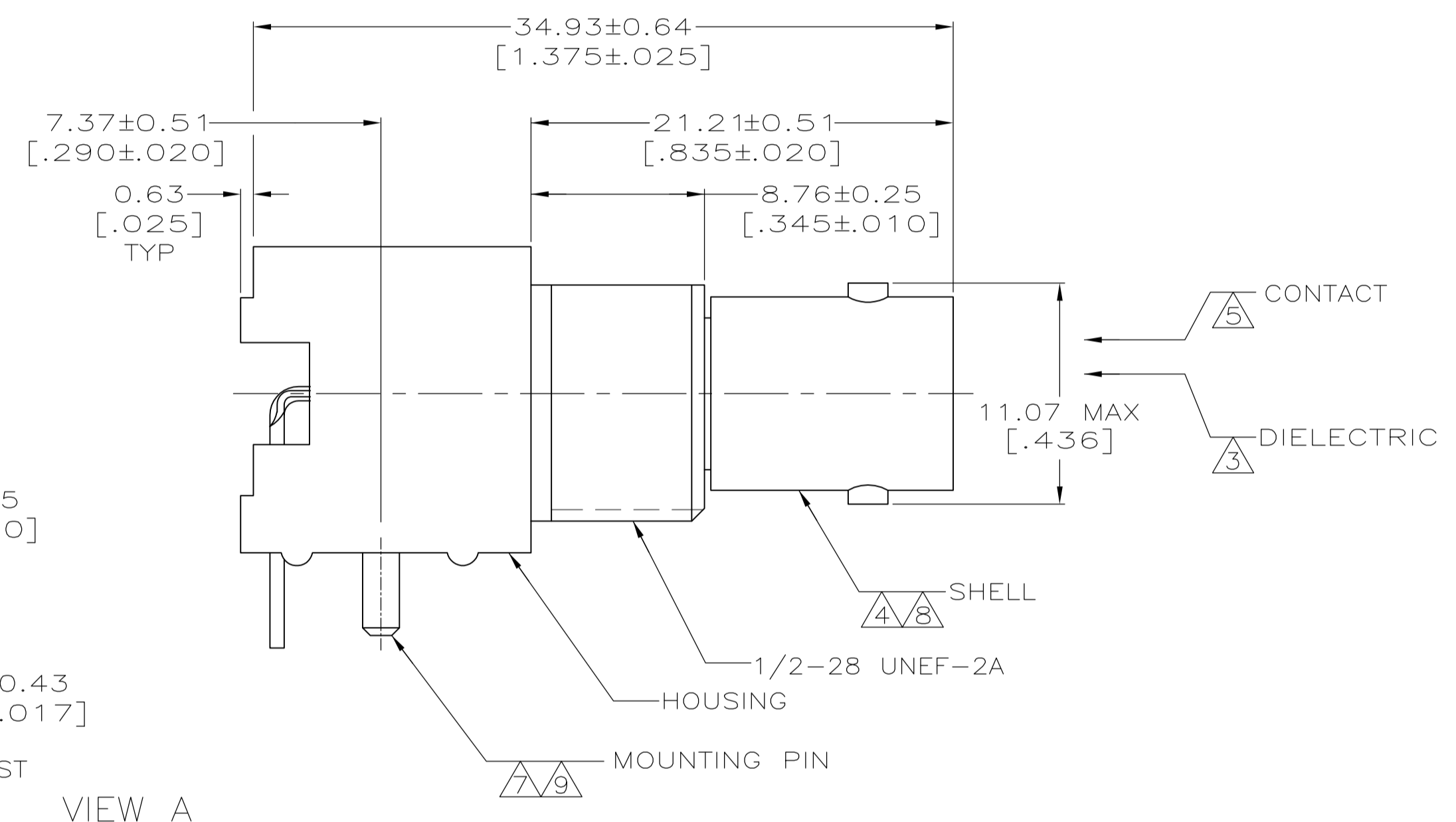
LOC		DIST		REVISIONS			
P	LTR	DESCRIPTION	DATE	DWN	APVD		
B		REV PER ECO 08-009474	7/22/2008	DW	JL		



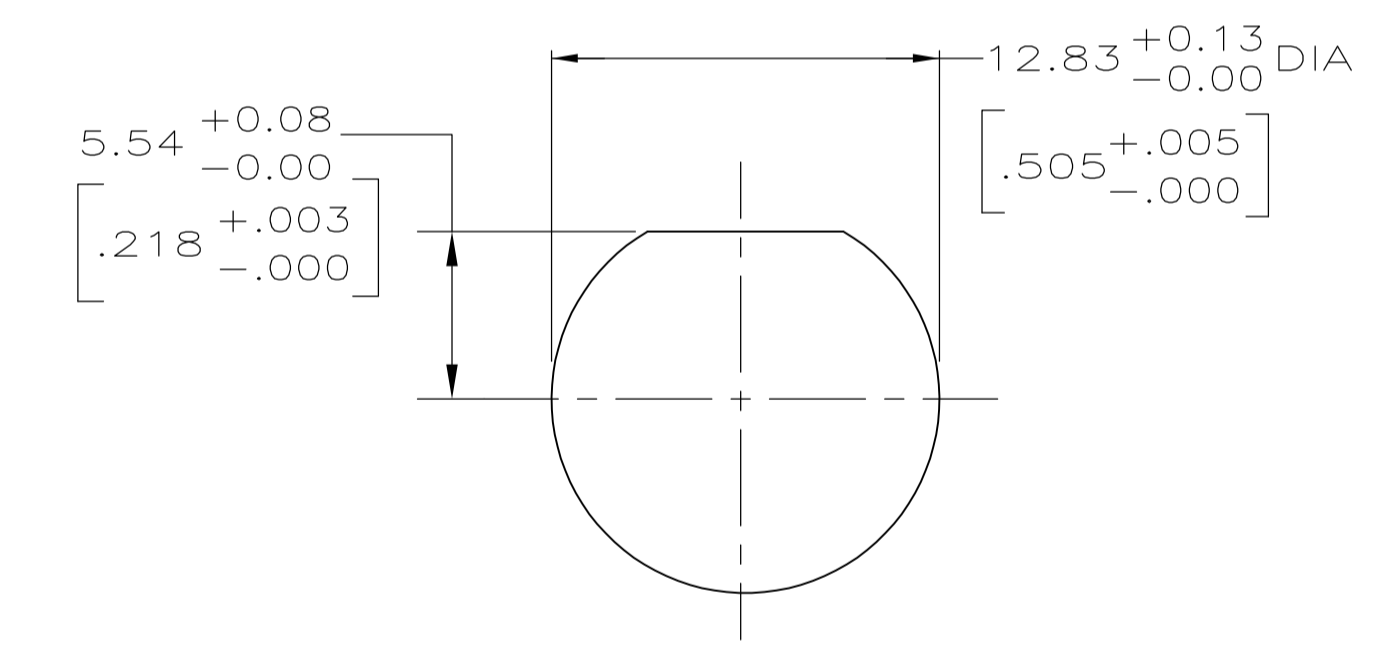
VIEW C
 (SAME AS VIEW A
 EXCEPT AS SHOWN)



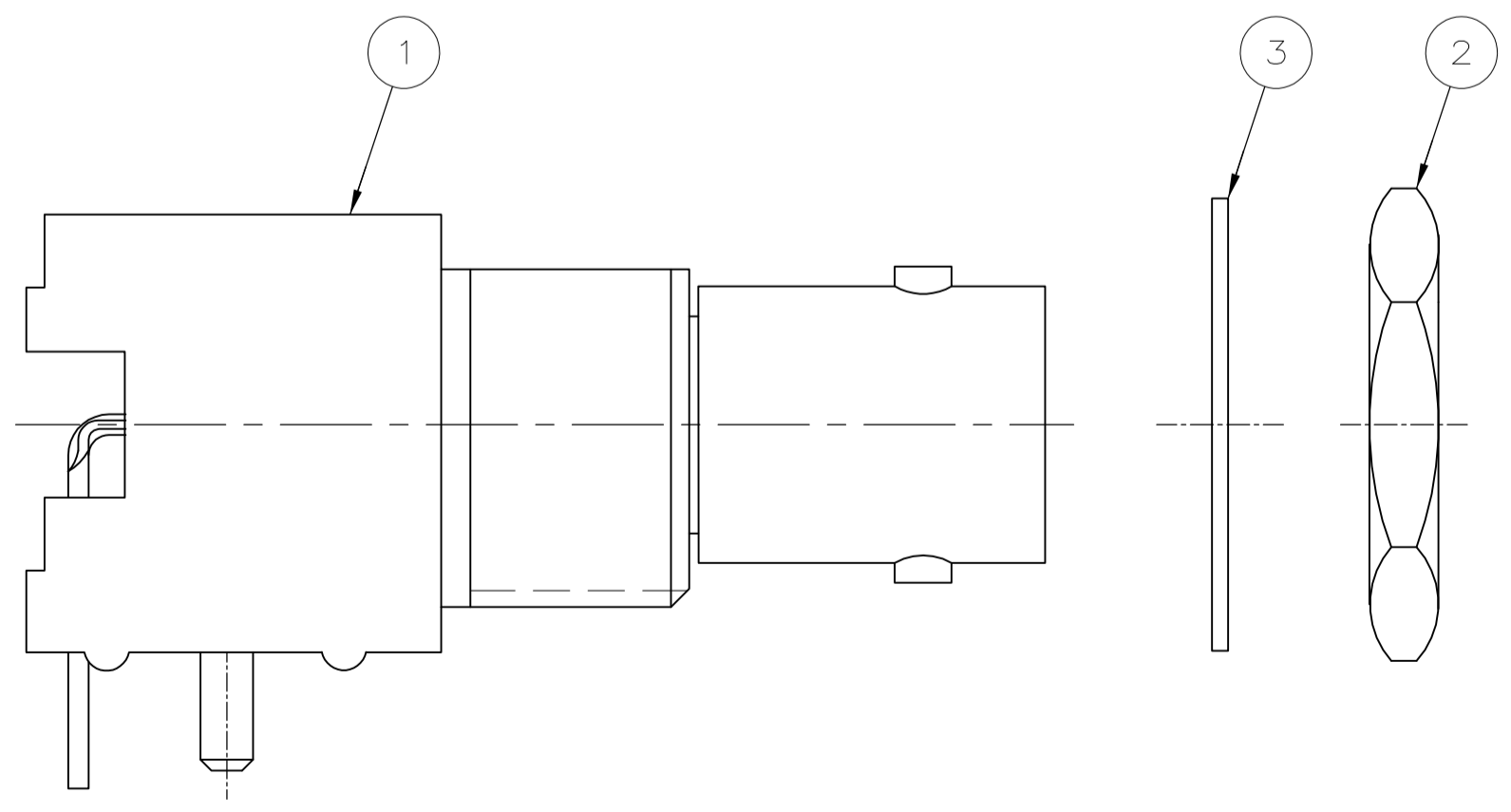
VIEW A



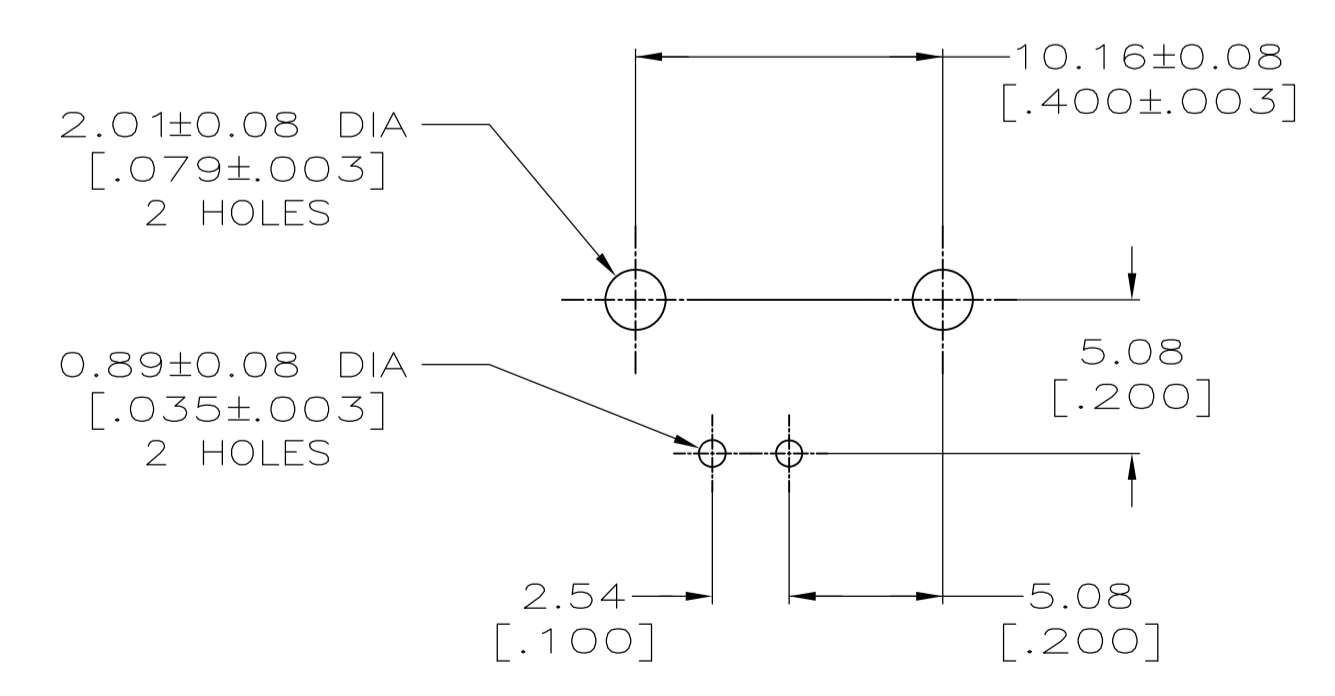
- 1 POLYESTER PBT PER MIL-M-24519, TYPE GPT-15F, UL94V-O RATED, COLOR:WHITE
- 2 POLYESTER PBT PER MIL-M-24519, TYPE GPT-15F, UL94V-O RATED, COLOR:BLACK
- 3 POLYMETHYLPENTENE, GENERAL PURPOSE.
- 4 ZINC PER QQ-Z-363.
- 5 PHOSPHOR BRONZE PER QQ-B-750.
- 6 BRASS PER ASTM-B-453.
- 7 BRASS PER ASTM-B-16.
- 8 NICKEL PLATE PER QQ-N-290, 3.81 μm [.000150] MINIMUM THICK.
- 9 TIN PLATE PER ASTM-B-545, 3.81 μm [.000150] MINIMUM THICK.
- 10 GOLD PLATE PER MIL-G-45204, 0.76 μm [.000030] MINIMUM THICK.
- 11 GOLD PLATE PER MIL-G-45204, 1.27 μm [.000050] MINIMUM THICK.
- 12. SEE INSTRUCTION SHEET 408-2769.



RECOMMENDED PANEL CUTOUT



VIEW B



PCB CONFIGURATION

-	-	B	1-329632-2	1-329631-2	5227161-9	1-5227161-7
-	-	B	1-329632-2	1-329631-2	5227161-6	1-5227161-6
△	△	C	-	-	-	1-5227161-5
△	△	C	-	-	-	5227161-9
△	△	C	-	-	-	5227161-7
△	△	A	-	-	-	5227161-6
△	△	A	-	-	-	5227161-3
△	△	A	-	-	-	5227161-2
△	△	A	-	-	-	5227161-1
CONTACT FINISH	HOUSING MATERIAL	VIEW	3 LOCKWASHER	2 JAM NUT QTY=1	1 ASSEMBLY QTY=1	PART NUMBER

THIS DRAWING IS A CONTROLLED DOCUMENT.

DIMENSIONS: mm[INCHES]

TOLERANCES UNLESS OTHERWISE SPECIFIED:

0 PL	±	-
1 PL	±	-
2 PL	±	0.05 [.002]
3 PL	±	-
4 PL	±	-
ANGLES	±	-

MATERIAL: △△△△△△△△△△ FINISH: △△△△△△△△△△

APPROVED: L. VARELA - 20APR2005
 CHK: J. HAVENER - 20APR2005
 S. BURKHOLDER - 20APR2005

NAME: Tyco Electronics Corporation
 Harrisburg, Pa 17105-3608

PRODUCT SPEC: 108-12078

APPLICATION SPEC: -

SIZE: A1
 CAGE CODE: 00779
 DRAWING NO: 5227161

RESTRICTED TO: -

CUSTOMER DRAWING SCALE: 4:1 SHEET: 1 OF 1 REV: B