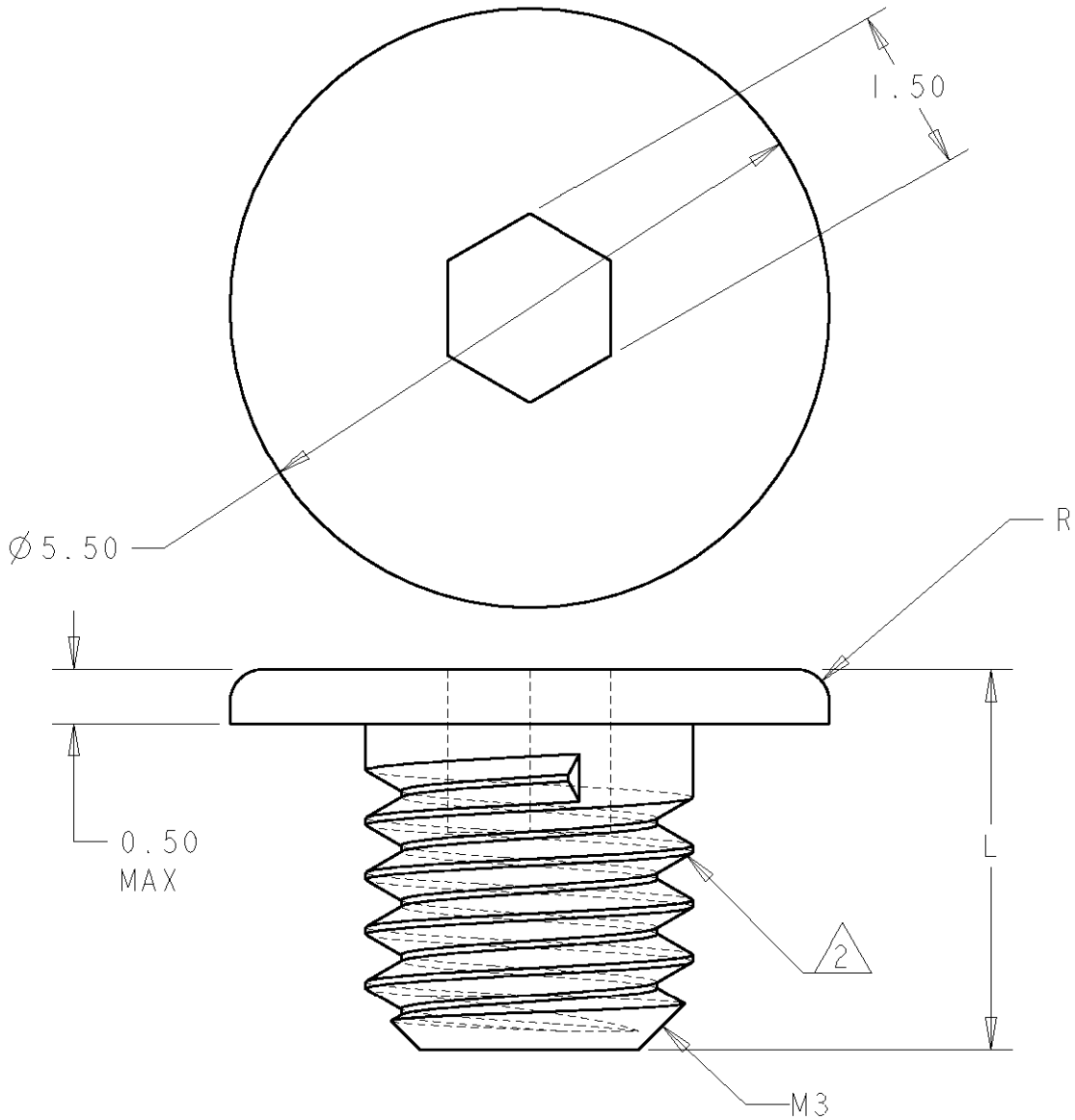


LOC	DIST	REVISIONS					
AD	00	P	LTR	DESCRIPTION	DATE	DWN	APVD
		B1		REVISED PER ECO-11-005294	30APR11	RK	HMR



1 MATERIAL: STAINLESS STEEL

2 YELLOW THREAD LOCKER APPLIED ON PORTION OF THREADS.

5.50	1410946-2
3.50	1410946-1
L	PART NUMBER

20

RELEASED FOR PUBLICATION


ALL RIGHTS RESERVED.

BY -

COPYRIGHT -

©

THIS DRAWING IS UNPUBLISHED.

DIMENSIONS: mm		DWN R. TREA	03AUG2004	MATERIAL	1 -	FINISH	-
TOLERANCES UNLESS OTHERWISE SPECIFIED:		CHK G.GRIFFITH	03AUG2004	 TE Connectivity			
0 PLC ±-		APVD G.GRIFFITH	03AUG2004				
1 PLC ±-		PRODUCT SPEC	-	NAME SOC. HD CAP SCREW CUSTOMIZED			
2 PLC ±0.13		APPLICATION SPEC	-	SIZE	CAGE CODE	DRAWING NO	RESTRICTED TO
3 PLC ±0.013		WEIGHT	-	A4	00779	C=1410946	-
4 PLC ±-				SCALE 12:1		SHEET 1 OF 1	REV B1
ANGLES ±-		CUSTOMER DRAWING					

