

Features

Frequency range : 32.768 kHz
 SMD seam sealing ceramic package
 Supply voltage : 1.8V ~ 3.3V
 CMOS output
 Tri-state function available
 External dimensions (mm)
 L : 3.2 x W : 2.5 x H : 1.0
 RoHS compliant & Pb free

Applications

Real-time clock (RTC)
 WLAN, NFC, SiP Modules
 PC, NB, Tablet, Computer peripherals
 Audio, Video, Gaming, DSC, STB
 Server, Switch, Router
 Security devices, Smart meters
 Consumer products
 Internet of Things (IoT)

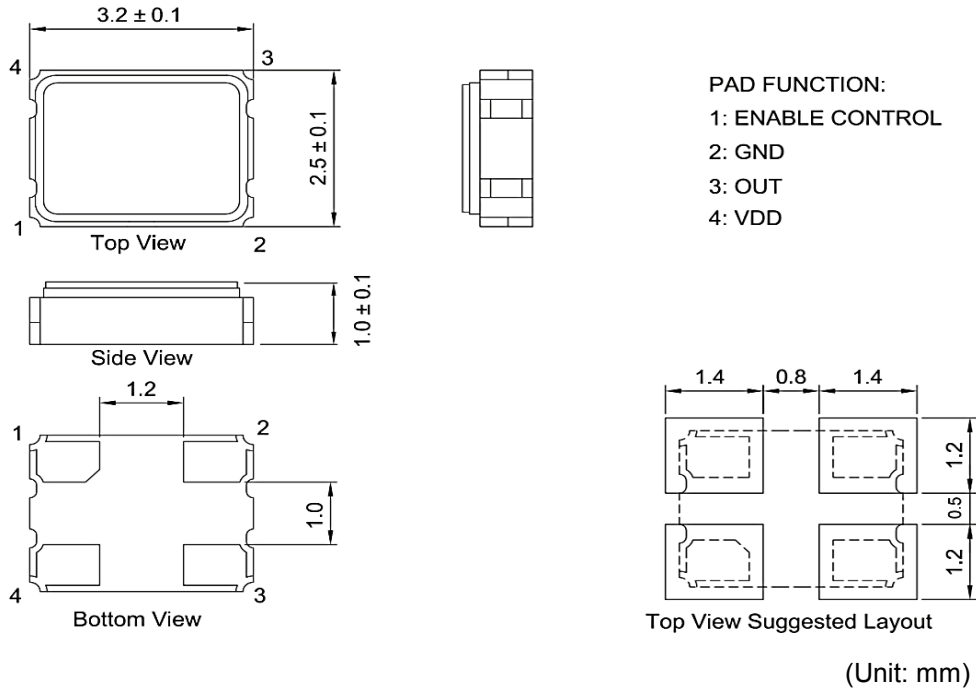
Electrical Characteristics

Item	7XZ	Conditions
Frequency Range (F_0)	32.768 kHz	
Frequency Stability (F_{stab})	± 25 ppm	-10°C ~ +70°C
	± 50 ppm, ± 25 ppm	-40°C ~ +85°C
Operating Temperature Range (T_{OTR})	-10°C ~ +70°C	
	-40°C ~ +85°C	
Supply Voltage (V_{DD})	1.8V, 2.5V, 3.3V	$V_{DD} \pm 10\%$
Current Consumption (I_{DD})	3 mA Max.	
Output Type	CMOS	
Output Load (C_L)	15 pF	
Output Voltage High (V_{OH})	90% V_{DD} Min.	
Output Voltage Low (V_{OL})	10% V_{DD} Max.	
Rise & Fall Time (T_r / T_f)	200 ns Max.	10% ~ 90% of V_{DD}
Duty Cycle	45% ~ 55%	
Start-up Time	10 ms Max.	
Enable Voltage High, Logic "1"	70% V_{DD} Min.	Input to Pin1 Note [1]
Enable Voltage Low, Logic "0"	30% V_{DD} Max.	
Aging (F_{aging})	± 5 ppm Max.	at 25°C ± 3 °C, first year
Storage Temperature Range (T_{STR})	-55°C ~ +125°C	

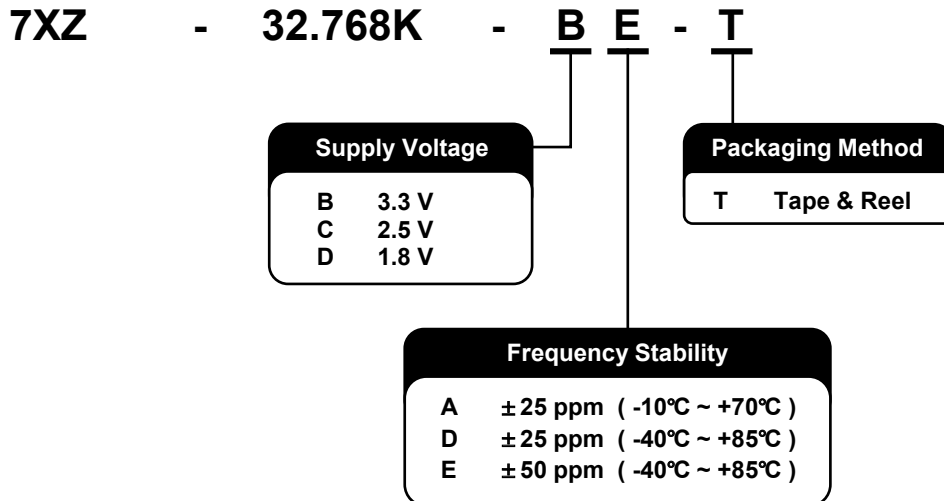
Notes:

[1] Output will be enable if Pin1 is Logic "1" or Open; Output will be disable if Pin1 is Logic "0".

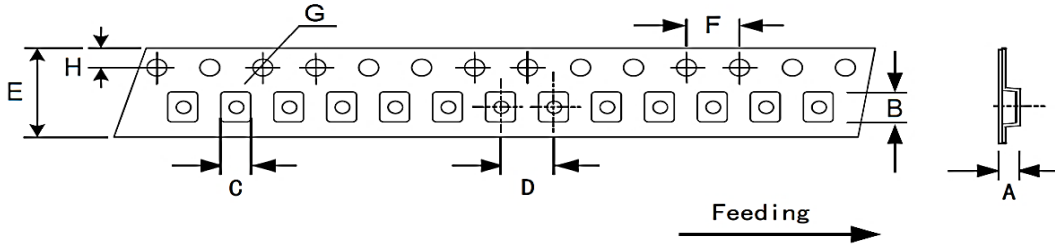
Dimensions



Ordering Information

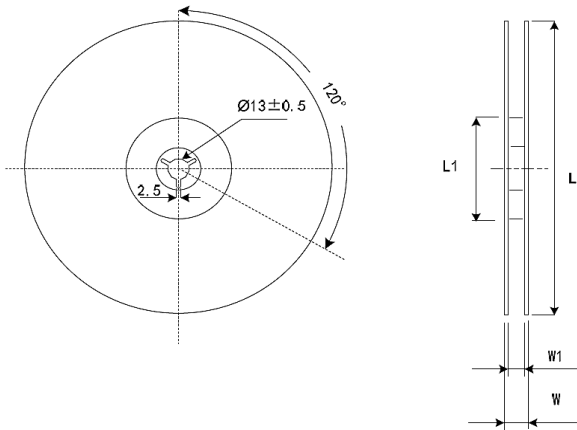


Packing



DIMENSIONS	A	B	C	D	E	F	G	H
	1.65 ±0.10	3.40 ±0.10	2.70 ±0.10	4.00 ±0.10	8.00 ±0.20	4.00 ±0.10	1.55 ±0.05	1.75 ±0.10

(Unit: mm)



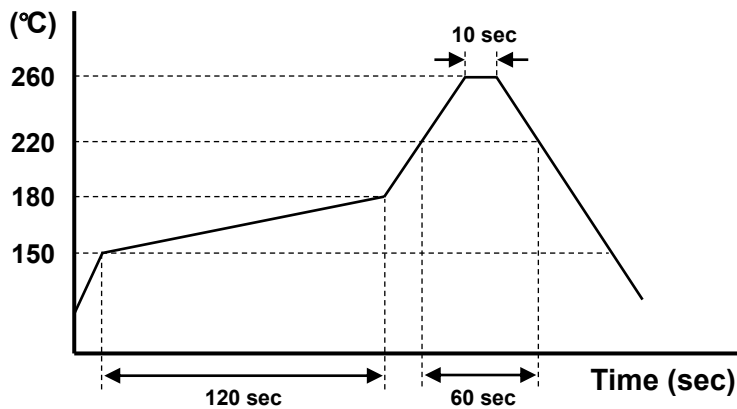
DIMENSIONS	L	L1	W	W1
	178 ±1.00	60.2 ±0.50	11.5 ±0.2	8 +1/-0

(Unit: mm)

Reflow Profile

Solder melting point : $220^{\circ}\text{C} \pm 10^{\circ}\text{C}$, 60 sec. Min.

Peak temperature : $260^{\circ}\text{C} \pm 10^{\circ}\text{C}$, 10 sec. Min.



Mouser Electronics

Authorized Distributor

Click to View Pricing, Inventory, Delivery & Lifecycle Information:

[TXC Corporation:](#)

[7XZ-32.768KBA-T](#) [7XZ-32.768KBE-T](#) [7XZ-32.768KCA-T](#) [7XZ-32.768KCE-T](#) [7XZ-32.768KDA-T](#) [7XZ3220001](#)
[7XZ3270005](#) [7XZ3270003](#) [7XZ3270001](#) [7XZ3200003](#) [7XZ3270009](#) [7XZ3270008](#) [7XZ3200005](#) [7XZ-32.768KDE-T](#)