

PRODUCT NUMBER
51915-270--
NOTE 3

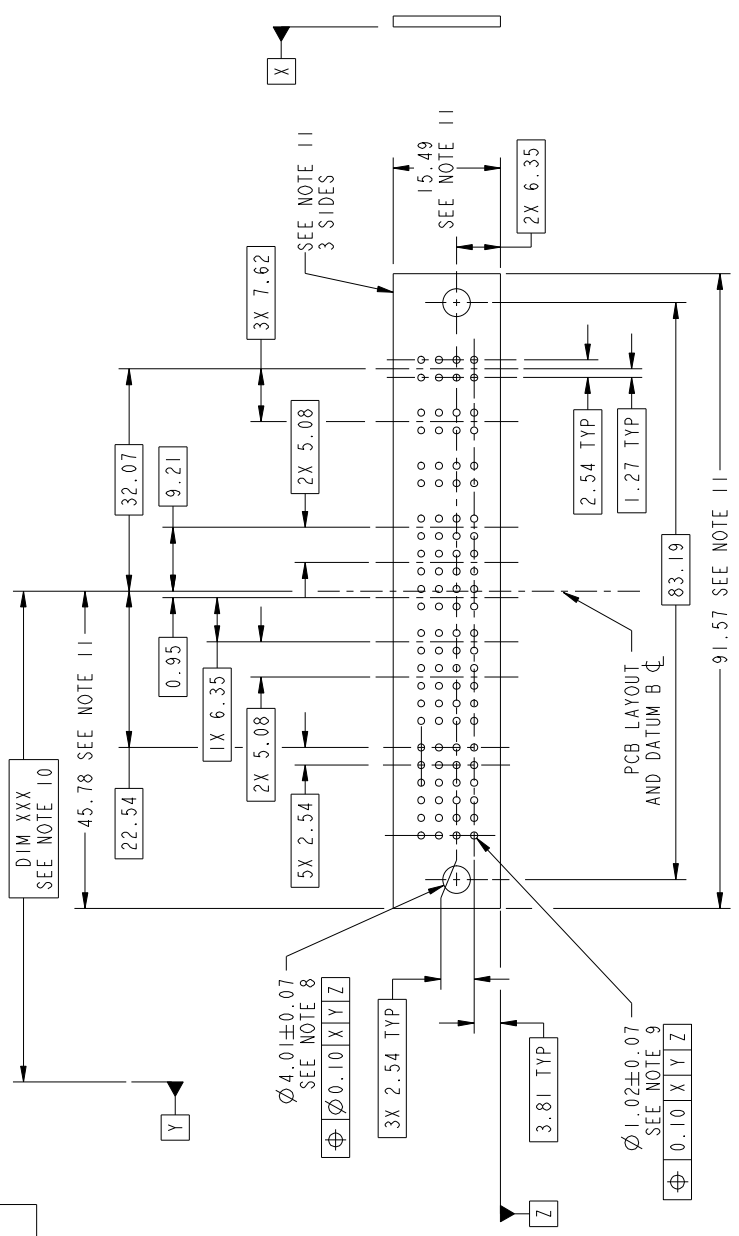
Tous droits strictement réservés. Reproduction ou communication à des tiers interdite sous quelque forme que ce soit sans autorisation écrite du propriétaire. Property of FCI. Copyright FCI. All rights strictly reserved. Reproduction or issue to third parties in any form whatever is not permitted without written authority from the proprietor.



1 | 2

3

4



RECOMMENDED PCB LAYOUT

mat'l code		SEE NOTE		tolerances unless otherwise specified		CUSTOMER		FCI	
ltr	ecrn no.	dr	date	linear	angles	projection	copy	title	www.fciconnect.com
A				0.X ±0.5	0.XXX ±0.1	⊕		3ACP + 6P + 2AS R/A SOLDER RECEPTACLE	
				0 ±.2		MM		product family	
				dr ANSON LIU 06/04/10				size	
				enrg Jerome Chen 06/07/10				dwg no	
				chr PM ZHENG 06/04/10				product family	
				appd JOSEPH HSIA 06/04/10				size	
sheet index	revision sheet							A	
								code	
								213	
								sheet	
								3 of 4	
								code	
								22526	
								4	

Pro/E

1 | 2

3

4

1 | 2

3 |

4

PRODUCT NUMBER
51915-270-- NOTE 3

NOTES:

- DIMENSIONS AND TOLERANCES ARE IN ACCORDANCE WITH ASME Y14.5M, 1994 UNLESS OTHERWISE SPECIFIED.
- CONNECTOR NOTES:
- HOUSING MATERIAL: UL 94 V-0 GLASS FILLED HIGH-TEMP THERMOPLASTIC
POWER CONTACT MATERIAL: COPPER ALLOY
SIGNAL PIN MATERIAL: COPPER ALLOY
- SEE ITEM 5 & 6 IN PRINT 10064183 FOR PLATING SPEC OF 51915-270 AND 51915-270LF RESPECTIVELY.

4. MANUFACTURER'S NAME, DATE CODE AND OPTIONAL P/N TO APPEAR ON THIS SURFACE. THE P/N CAN BE OMITTED IF THERE IS NOT ENOUGH SPACE ON THIS SURFACE.

5. PRODUCT SPECIFICATION GS-12-149.
APPLICATION SPECIFICATION BUS-20-067.

6. PACKAGED IN TRAYS.

PCB NOTES:

7. ALL HOLE DIAMETERS ARE FINISHED HOLE SIZE.

8. MOUNTING HOLES, WHERE APPLICABLE, ARE UNPLATED.

9. $\varnothing 1.151 \pm 0.025$ DRILLED HOLES PLATED WITH 0.008 MIN SnPb OR Sn OVER 0.03 TO 0.08 Cu PLATING TO ACHIEVE $\varnothing 1.02 \pm 0.07$ HOLE.

10. "DIM XXX" TO BE DETERMINED BY THE CUSTOMER.

11. CONNECTOR KEEP-OUT ZONE.

12. THE VOID CORING IN BETWEEN POWER MODULES, SIGNAL MODULES AND END MODULES ARE OPTIONAL AND THE SHAPE MAY BE DIFFERENT FOR OPTIMIZE THE MOLDING PROCESS. THE VOID CORING WILL NOT EFFECT TO PRODUCT FUNCTION.

Tous droits strictement réservés. Reproduction ou communication à des tiers interdite sous quelque forme que ce soit sans autorisation écrite du propriétaire. Property of FCI. Copyright FCI. Droits de reproduction FCI.



All rights strictly reserved. Reproduction or issue to third parties in any form whatever is not permitted without written authority from the proprietor. Property of FCI. Copyright FCI.

mat'l code		SEE NOTE 2		tolerances unless otherwise specified		CUSTOMER		FCI		www.fciconnect.com	
lir	ecn no.	dr	date	linear	0.X ± 0.5	projection	COPY	title		3ACP + 6P + 24S	
A				angles	0.XXX ± 0.25			R/A SOLDER RECEPTACLE		product family	
				dr	0° ± 2°			PwrBl code		213	
				engr	ANSON LIU 06/04/10			size		4 of 4	
				chr	Jerome Chen 06/07/10			sheet		213	
				appd	PM ZHENG 06/04/10			scale		1:1	
					JOSEPH HSIA 06/04/10			sheet		4 of 4	
sheet index	revision	sheet						cage code		22526	
								3		4	
								Pro/E		4	

1 | 2

3 |

4