



PRODUCT DATASHEET

Mirella series

last update 21/5/2015

DETAILS

Product Number	C13708_PF-SOCKET-VERO10
Family	Mirella
Type	Base part
Color	white
Diameter	38 mm
Height	3 mm
Style	round
Optic Material	
Holder Material	PC
Fastening	
Status	ready
ROHS Compliant	Yes
Date Updated	21/05/2015



OPTICAL PROPERTIES

LED	Viewing Angle	Light Beam	Efficiency	cd/lm	Connector
VERO10	N/A deg		-	sim: 0.000	-

D

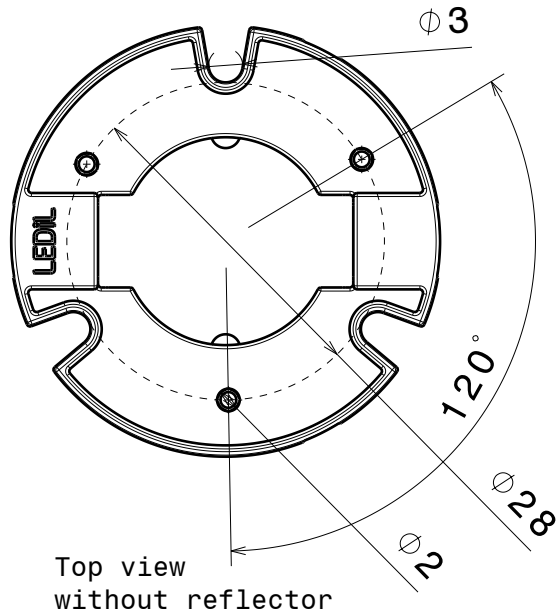
C

B

A

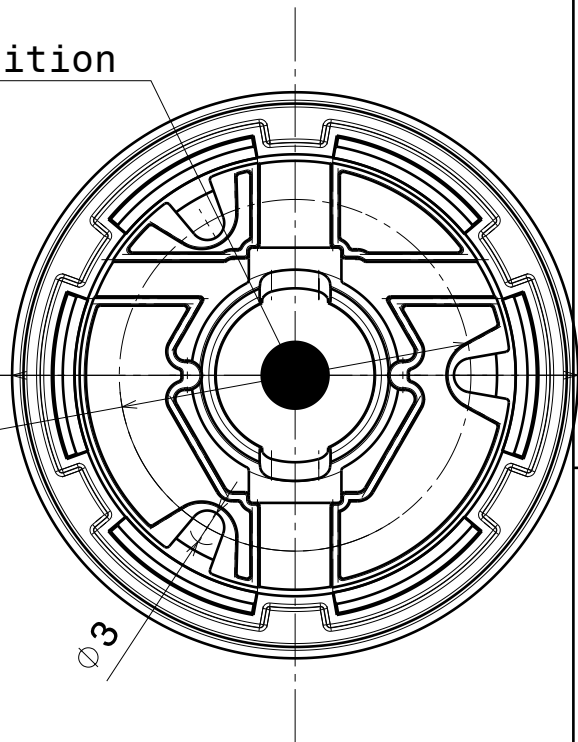
4

4



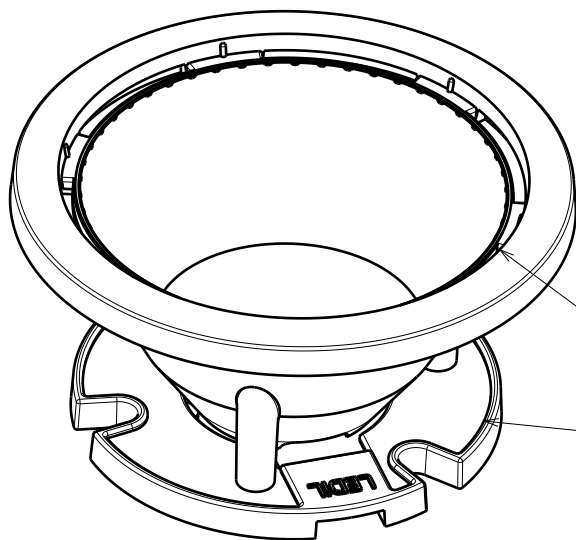
Top view without reflector

LED position



3

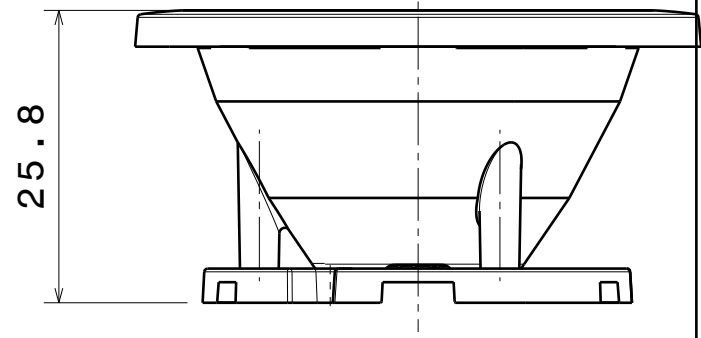
3



Reflector

Socket

Isometric view
Scale: 3:2



2

2

CN13917_MIRELLA-50-S-PF-VER010
 CN13919_MIRELLA-50-M-PF-VER010
 CN13921_MIRELLA-50-W-PF-VER010

Tolerances if not otherwise shown
 According to DIN ISO 2768-1
 Linear measures:
 Up to 30mm class M, otherwise class C.
 According to DIN ISO 2768-2
 Form and position: class L

LEDiL Ledil Oy
 Salorankatu 10
 FIN 24240 SALO
 Finland

THIRD ANGLE PROJECTION:

DRAWING TITLE
MIRELLA-50-PF-VER010

This drawing is the property of LEDiL Oy. It may not be reproduced, copied or communicated without a written agreement with LEDiL Oy."

SIZE	PART NUMBER
A4	-

SCALE	3:2	WEIGHT	-	SHEET	1/1
-------	-----	--------	---	-------	-----

D

A

1

1

NOTE: The typical divergence will be changed by different color, chip size and chip position tolerance. The typical total divergence is the full angle measured where the luminous intensity is half of the peak value.

GENERAL INFORMATION

- Product series especially designed & optimized for series of LEDs.
- Special care taken to make light distribution as uniform as possible.

Note! Due to use of high power COB's with this product, special attention to proper thermal design is highly recommended. LEDiL has no liability for direct, indirect or consecutive damages arising from the LEDiL products being used outside of the recommended temperature range.