

5

4

3

2

1

DRAWING NO.  
26-8016-CUST

REVISIONS

OFFICAL RELEASE

01

08-25-09

T W B Y T

2009.09.0  
Betty 08-09-29:37  
+ 08'00'

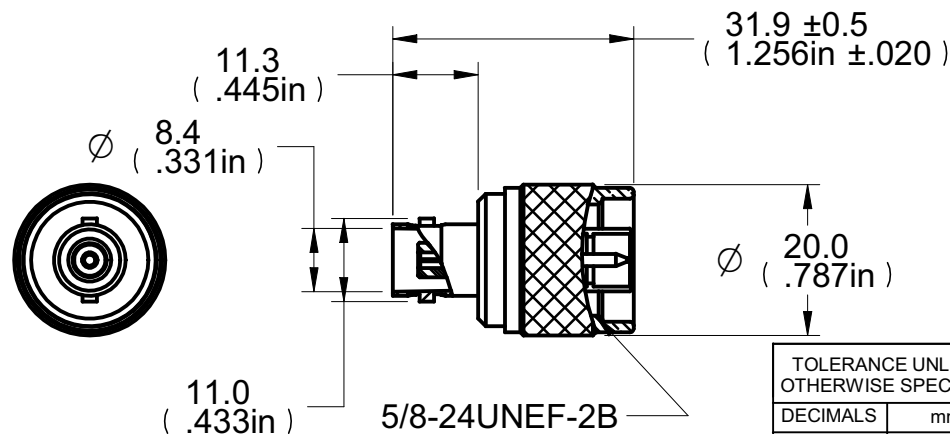
Description: Adapter BNC Jack to N Plug  
 Part No: 26-8016  
 Application: Adapter  
 Crimp Tool: N/A  
 Impedance: 50 Ohms  
 Fequency Range: 0-4 GHz  
 Material: Body Brass Nickel Plated  
 Contact Brass Gold Plated  
 Insulator Derlin  
 Crimp Sleeve Brass Nickel Plated  
 Coupling Nut Zinc Nickel Plated

RoHS Compliance: Yes  
 Technical Detail: Refer to Emerson Document P/N 27-0000&26-0000



受控 CONTROLLED DOCUMENT

编号 P/N	25-8016-CUST	版本 Rev	01	日期 Rel'd Date	SEP 14,09
-----------	--------------	-----------	----	------------------	-----------



**DIM OUTLINE**

CUSTOMER COPY

TOLERANCE UNLESS OTHERWISE SPECIFIED		DRAWN BY	DATE
DECIMALS	mm	TERRY.W	08-25-09
X	± 0.5	CHECKED BY	DATE
X.X	± 0.3	TERRY.W	08-25-09
X.XX	± 0.1	APPROVED BY	DATE
ANGLES	± 0.5°	THOMAS	08-25-09
		U/M	mm



Connectivity Solutions

TITLE  
ADAPTER,N PLUG TO BNC JACK

THIS DRAWING WAS PRODUCED BY COMPUTER, DO NOT SCALE DRAWING OR UPDATE MANUALLY.

SHEET	DRAWING NO.	SIZE
1 OF 1	26-8016-CUST	A

D

C

B

A

D

C

B

A

5

4

3

2

1