

4

3

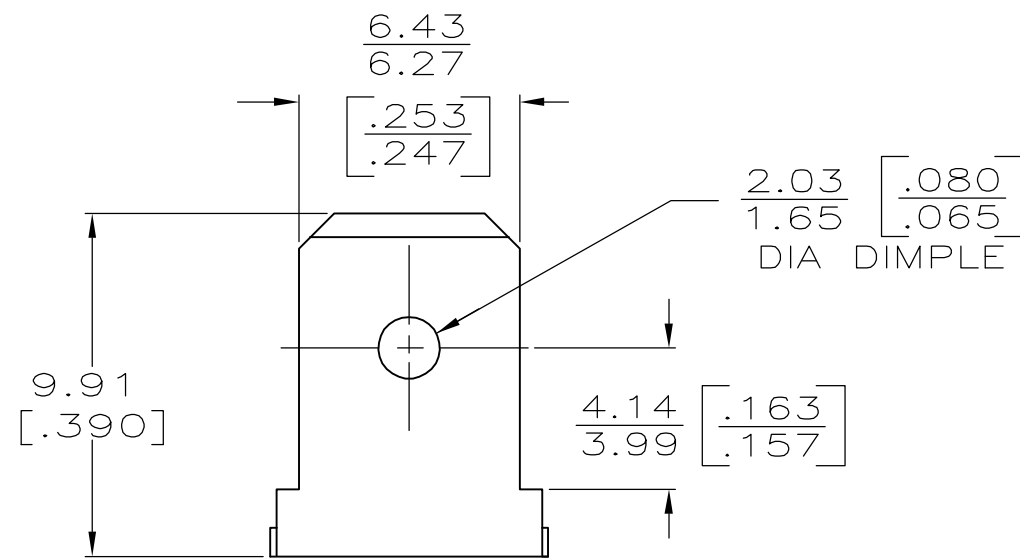
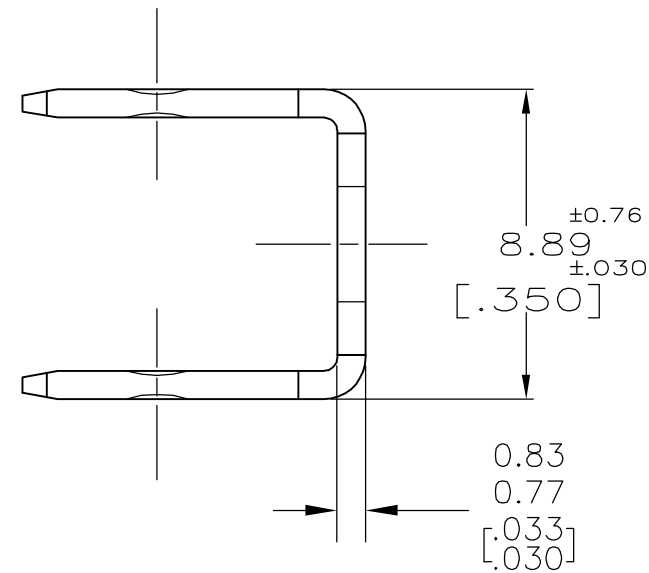
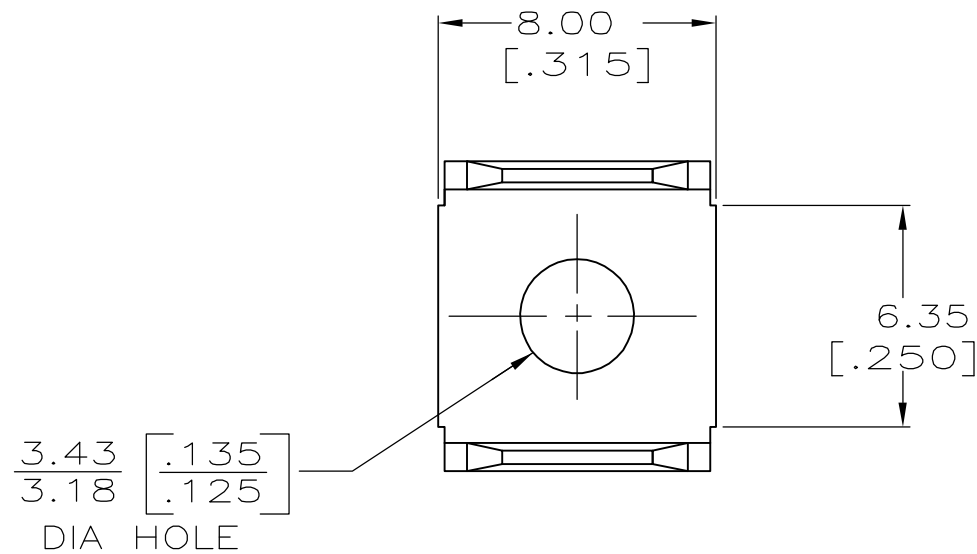
2

1

THIS DRAWING IS UNPUBLISHED. RELEASED FOR PUBLICATION
 © COPYRIGHT BY TYCO ELECTRONICS CORPORATION. ALL RIGHTS RESERVED.

LOC		DIST		REVISIONS					
AF		50		P	LTR	DESCRIPTION	DATE	DWN	APVD
					AG	REV PER ECR-05-017287	29MAR06	HMR	JR

1 SUPPLIED IN LOOSE PIECE



41480
PART NO

THIS DRAWING IS A CONTROLLED DOCUMENT.		DWN	JR RUTH	12/2/91	 Tyco Electronics Corporation Harrisburg, PA 17105-3608
DIMENSIONS:		CHK	MS FEHER	12/2/91	
mm [INCHES]		APVD	MEYERS	12/2/91	
		PRODUCT SPEC		NAME	
TOLERANCES UNLESS OTHERWISE SPECIFIED:		APPLICATION SPEC		TAB, FASTON, 6.35 [.250] SERIES	
0 PLC ± -		-		SIZE	A3
1 PLC ± -		-		CAGE CODE	00779
2 PLC ± -		-		DRAWING NO	C-41480
3 PLC ± 0.38 [.015]		-		RESTRICTED TO	-
4 PLC ± -		-		SCALE 5:1 SHEET 1 OF 1 REV AG	
ANGLES ± -		-			
MATERIAL	082 BRASS	FINISH	TIN	WEIGHT	-
CUSTOMER DRAWING					