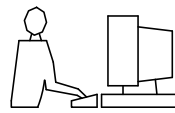


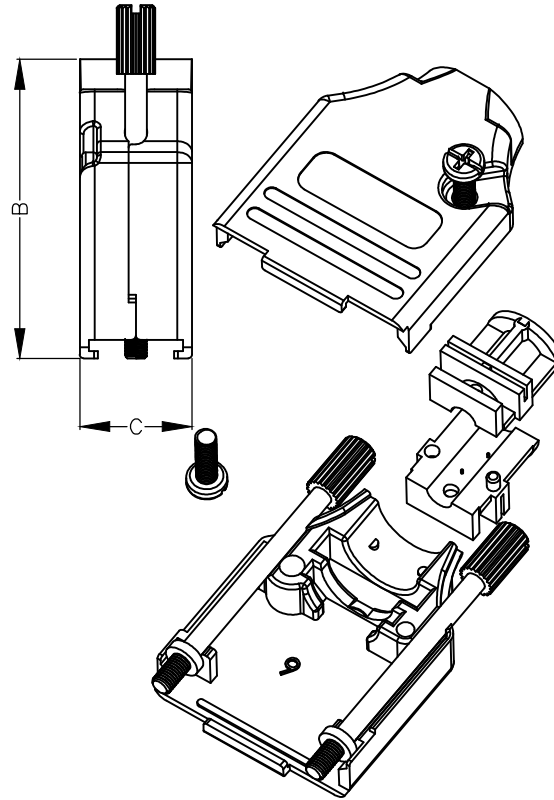
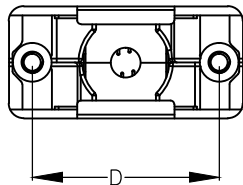
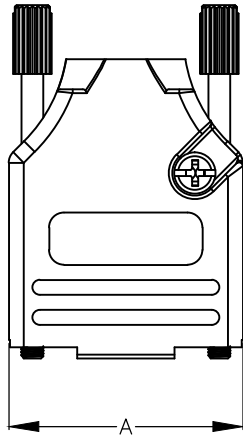
THIS IS A C.A.D. GENERATED DRAWING
DO NOT MAKE MANUAL REVISIONS TO MASTER.



* UNLESS OTHERWISE SPECIFIED TOLERANCES
ON DECIMAL IS: ANGLE $\pm 5^\circ$
UNIT: MM X. ± 0.38
X.X ± 0.25

BACKSHELL KIT INCLUDES:

- (2) BACKSHELL HALVES
- (2) 4-40 THUMBSCREWS
- (2) HOUSING SCREWS
- (1) SET OF METALIZED COMPRESSION INSERTS - VARIOUS SIZES
DIAMETERS 4mm (.157"), 5mm (.167"), 7mm (.276"), 9mm (.354")



DIMENSIONS(mm/in)

SIZE	A $\pm .50$ ± 0.02	B $\pm .50$ ± 0.02	C $\pm .50$ ± 0.02	D $\pm .25$ ± 0.01
9	31.20	39.90	15.00	24.99
	1.228	1.571	0.591	0.984
15	39.50	41.50	15.00	33.32
	1.555	1.634	0.591	1.312
25	53.40	48.60	15.00	47.04
	2.102	1.913	0.591	1.852
37	69.70	53.60	15.00	63.50
	2.744	2.110	0.591	2.500

ORDERING INFORMATON:

SIZE	PRODUCT CODE:
9-WAY	MHDTZK-9-RAHI-K
15-WAY	MHDTZK-15-RAHI-K
25-WAY	MHDTZK-25-RAHI-K
37-WAY	MHDTZK-37-RAHI-K

SIZE	PRODUCT CODE:
9-WAY	MHDTZK-9-RAHI
15-WAY	MHDTZK-15-RAHI
25-WAY	MHDTZK-25-RAHI
37-WAY	MHDTZK-37-RAHI

BACKSHELL MATERIAL: DIE-CAST ZINC ALLOY
PLATING: NICKEL
4-40 THUMBSCREWS: STEEL
M3 HOODSCREWS: STEEL
COMPRESSION INSERT: ABS UL 94HB
OPERATING TEMP: -40°C TO +120°C

THESE DRAWINGS AND SPECIFICATIONS ARE THE PROPERTY OF MH CONNECTORS AND SHALL NOT BE REPRODUCED, COPIED OR USED AS THE BASIS FOR THE MANUFACTURE OR SALE OF APPARATUS WITHOUT WRITTEN PERMISSION.

DRAWN Johnny Chen DATE 06-24-15

APPROVED DATE

SCALE 1 : 1 SHEET OF 1 OF 1 REV: 2.0

DRAWING No MHDTZK-()-RAHI-K SERIES



THIS SERIES FULLY CONFORMS TO THE EUROPEAN UNION DIRECTIVES 2002/95/EC AND 2002/96/EC FOR RoHS COMPLIANCY.



**MH CONNECTORS ,
DIVISION OF EDAC**