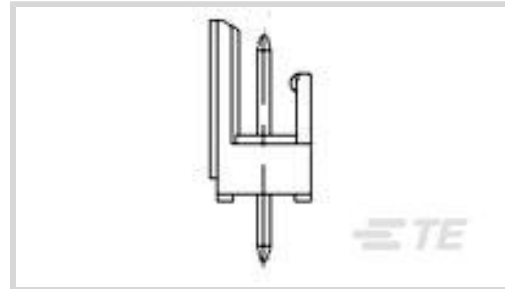




Connectors > PCB Connectors > Board-to-Board Connectors > Board-to-Board Headers & Receptacles



PCB Connector Assembly Type: **PCB Mount Header**

PCB Mount Orientation: **Vertical**

Connector System: **Board-to-Board**

Number of Positions: **3**

Centerline (Pitch): **2.54 mm [.1 in]**

Features

Product Type Features

Series	AMPMODU
PCB Connector Assembly Type	PCB Mount Header
Connector System	Board-to-Board
Header Type	Shrouded
Sealable	No
Connector & Contact Terminates To	Printed Circuit Board

Configuration Features

Number of Rows	1
Stackable	No
Connector Contact Load Condition	Fully Loaded
PCB Mount Orientation	Vertical
Number of Positions	3
Board-to-Board Configuration	Vertical

Electrical Characteristics

Insulation Resistance	1 MΩ
-----------------------	------

Body Features

Connector Profile	Standard
-------------------	----------

Contact Features

Contact Layout	Inline
----------------	--------

Mating Post Length	5.2 mm[.205 in]
Contact Shape	Round
Contact Base Material	Phosphor Bronze
Contact Mating Area Plating Material	Tin
Contact Mating Area Plating Material Thickness	1.3 μ m[51.18 μ in]
Contact Type	Pin

Termination Features

Termination Method to Printed Circuit Board	Through Hole
Termination Post Length	2.9 mm[.114 in]

Mechanical Attachment

Mating Retention	With
Mating Alignment	With
Mating Alignment Type	Polarized
PCB Mount Retention	Without
PCB Mount Alignment	Without
Connector Mounting Type	Board Mount

Housing Features

Centerline (Pitch)	2.54 mm[.1 in]
Housing Color	Natural
Housing Material	PBT GF

Dimensions

Connector Height	8.8 mm[.34 in]
	.11 in

Operation/Application

Solder Process Feature	Board Standoff
Circuit Application	Signal

Industry Standards

UL Flammability Rating	UL 94V-0
------------------------	----------

Packaging Features

Packaging Quantity	1500
Packaging Method	Carton

Other

Comment	AMP-QUICK Header
---------	------------------

Product Compliance

[For compliance documentation, visit the product page on TE.com>](#)

EU RoHS Directive 2011/65/EU	Compliant
EU ELV Directive 2000/53/EC	Compliant
China RoHS 2 Directive MIIT Order No 32, 2016	No Restricted Materials Above Threshold
EU REACH Regulation (EC) No. 1907/2006	欧洲化学品管理局最新发布的SvHCs候选清单: 2019年1月 (197) SvHCs候选清单的声明更新至: 2011年12月 (71)
Halogen Content	Not Yet Reviewed for halogen content
Solder Process Capability	Wave solder capable to 265°C

Product Compliance Disclaimer

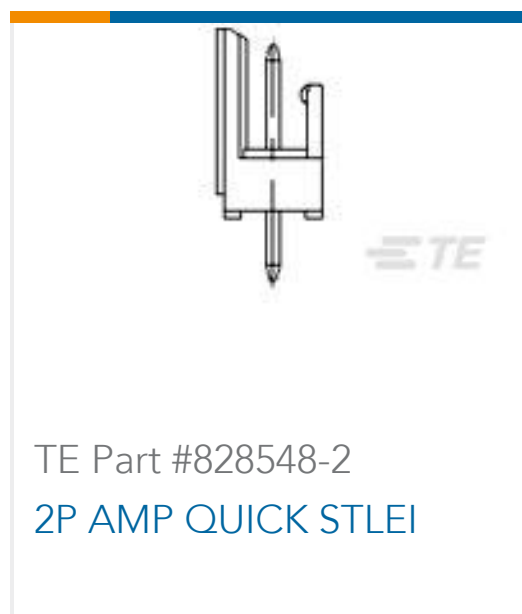
This information is provided based on reasonable inquiry of our suppliers and represents our current actual knowledge based on the information they provided. This information is subject to change. The part numbers that TE has identified as EU RoHS compliant have a maximum concentration of 0.1% by weight in homogenous materials for lead, hexavalent chromium, mercury, PBB, PBDE, DBP, BBP, DEHP, DIBP, and 0.01% for cadmium, or qualify for an exemption to these limits as defined in the Annexes of Directive 2011/65/EU (RoHS2). Finished electrical and electronic equipment products will be CE marked as required by Directive 2011/65/EU. Components may not be CE marked. Additionally, the part numbers that TE has identified as EU ELV compliant have a maximum concentration of 0.1% by weight in homogenous materials for lead, hexavalent chromium, and mercury, and 0.01% for cadmium, or qualify for an exemption to these limits as defined in the Annexes of Directive 2000/53/EC (ELV). Regarding the REACH Regulations, TE's information on SVHC in articles for this part number is still based on the European Chemical Agency (ECHA) 'Guidance on requirements for substances in articles' (Version: 2, April 2011), applying the 0.1% weight on weight concentration threshold at the finished product level. TE is aware of the European Court of Justice ruling of September 10th, 2015 also known as O5A (Once An Article Always An Article) stating that, in case of 'complex object', the threshold for a SVHC must be applied to both the product as a whole and simultaneously to each of the articles forming part of its composition. TE has evaluated this ruling based on the new ECHA "Guidance on requirements for substances in articles" (June 2017, version 4.0) and will be updating its statements accordingly.

Customers Also Bought

 <p>TE Part #927995-1 TELFIX KONT F828172</p>	 <p>TE Part #828548-4 4P AMP QUICK STLEI</p>	 <p>TE Part #928205-2 2P TELFIX BU-GEH</p>	 <p>TE Part #827001-2 4P MNL STIFTSOCKEL</p>
--	---	---	---

3P AMP QUICK STLEI

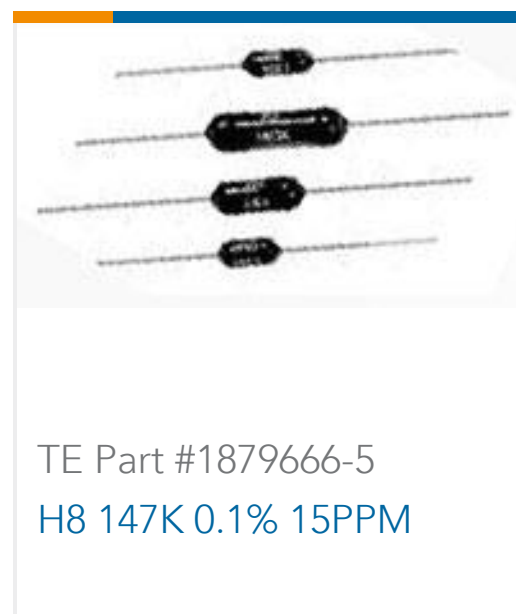
TE Part # 828548-3
TE Internal #: 828548-3



TE Part #828548-2
2P AMP QUICK STLEI



TE Part #1614960-6
CPF0805 180K 0.1%
25PPM 5K RL



TE Part #1879666-5
H8 147K 0.1% 15PPM



TE Part #5-2176087-7
RP 1J 0.166W 267R 0.1%
25PPM 1K RL



TE Part #1625826-7
TL2B R051 1% 4K RL



TE Part #5-1676913-5
YR1 0.1% 261R

Documents

Product Drawings

[3P AMP QUICK STLEI](#)

English

CAD Files

[3D PDF](#)

3D

Customer View Model

[ENG_CVM_CVM_828548-3_E.2d_dxf.zip](#)

English

Customer View Model

[ENG_CVM_CVM_828548-3_E.3d_igs.zip](#)

English

Customer View Model

[ENG_CVM_CVM_828548-3_E.3d_stp.zip](#)

English