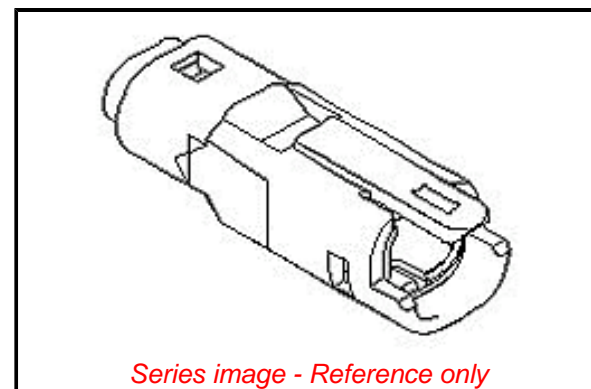


PLEASE CHECK WWW.MOLEX.COM FOR LATEST PART INFORMATION

Part Number: [0522660211](#)
Status: **Active**
Overview: Mizu-P25 Miniature Waterproof Connectors
Description: Mizu-P25 2.50mm Pitch Waterproof Wire-to-Wire Plug Housing, 2 Circuits

Documents:

3D Model	Application Specification AS-52213-001-001 (PDF)
Drawing (PDF)	Application Specification AS-52213-001-JP-001 (PDF)
Product Specification 522130000-PS-000 (PDF)	Packaging Specification PK-52266-001-001 (PDF)
Product Specification PS-52213-003-001 (PDF)	RoHS Certificate of Compliance (PDF)
Application Specification 522130000-AS-000 (PDF)	



Agency Certification

UL E29179

Application tooling part link

Application Tooling Part Link	57147-6000
Application Tooling Part Link	57170-6000
Application Tooling Part Link	62202-4400

General

Product Family	Crimp Housings
Series	52266
Application	Signal, Wire-to-Wire
Comments	See Product Specification for maximum current rating by wire A, See Product Specification for maximum current rating by wire A
Overview	Mizu-P25 Miniature Waterproof Connectors
Product Name	Mizu-P25 Waterproof, Splash Proof
UPC	800754378765

Physical

Circuits (maximum)	2
Color - Resin	Black
Flammability	94V-0
Gender	Plug
Glow-Wire Capable	No
Lock to Mating Part	Yes
Material - Resin	Polyester
Net Weight	852.700/mg
Number of Rows	1
Packaging Type	Tray
Panel Mount	No
Pitch - Mating Interface	2.50mm
Stackable	No
Temperature Range - Operating	-40° to +105°C

Electrical

Current - Maximum per Contact	4.0A
-------------------------------	------

Solder Process Data

Lead-freeProcess Capability	N/A
-----------------------------	-----

Material Info

Reference - Drawing Numbers

Application Specification	522130000-AS-000, AS-52213-001-001, AS-52213-001-JP-001
---------------------------	---

EU ELV

Compliant

EU RoHS

Compliant

REACH SVHC

Not Contained Per -ED/88/2018 (15 January 2019)

Halogen-Free

Status

Not Low-Halogen

For more information, please visit [Contact US](#)

China ROHS

ELV

RoHS Phthalates

China RoHS

Green Image

Compliant

Not Contained

Search Parts in this Series

[52266](#) Series

Mates With

[52213](#) Mizu-P25 2.50mm Pitch Waterproof Wire-to-Wire Receptacle Housing

Use With

[50147](#) Mizu-P25 Crimp Terminal

Application Tooling | FAQ

Tooling specifications and manuals are found by selecting the products below. Crimp Height Specifications are then contained in the Application Tooling Specification document.

Global

Description	Product #
-------------	-----------

Sealing Cap Hand Tool	622024400
-----------------------	---------------------------

Japan

Description	Product #
-------------	-----------

Sealing Cap Attachment Tool	571476000
-----------------------------	---------------------------

Packaging Specification
Product Specification
Sales Drawing

PK-52266-001-001
522130000-PS-000, PS-52213-003-001
SD-52266-003-001

Sealing Cap 571706000
Attachment Tool

This document was generated on 08/16/2019

PLEASE CHECK WWW.MOLEX.COM FOR LATEST PART INFORMATION